



Chipsmall Limited consists of a professional team with an average of over 10 year of expertise in the distribution of electronic components. Based in Hongkong, we have already established firm and mutual-benefit business relationships with customers from,Europe,America and south Asia,supplying obsolete and hard-to-find components to meet their specific needs.

With the principle of “Quality Parts,Customers Priority,Honest Operation,and Considerate Service”,our business mainly focus on the distribution of electronic components. Line cards we deal with include Microchip,ALPS,ROHM,Xilinx,Pulse,ON,Everlight and Freescale. Main products comprise IC,Modules,Potentiometer,IC Socket,Relay,Connector.Our parts cover such applications as commercial,industrial, and automotives areas.

We are looking forward to setting up business relationship with you and hope to provide you with the best service and solution. Let us make a better world for our industry!



## Contact us

Tel: +86-755-8981 8866 Fax: +86-755-8427 6832

Email & Skype: info@chipsmall.com Web: www.chipsmall.com

Address: A1208, Overseas Decoration Building, #122 Zhenhua RD., Futian, Shenzhen, China



## NOTES:

## 1. MATERIAL:

CAGE: NICKEL SILVER, 0.25mm THICK  
 EMI STRAPS: PHOS-BRONZE  
 AIR-VENT/LIGHT PIPE HOUSINGS: DIECAST ALLOY  
 LIGHT PIPES: POLYCARBONATE (OPTIONAL)  
 CONNECTOR HOUSING: HIGH TEMPERATURE THERMOPLASTIC  
 TERMINALS: COPPER ALLOY  
 GASKET - CONDUCTIVE ELASTOMER HB/94V-0 SEE OPTIONS.

## 2. FINISH:

CAGE: UNPLATED  
 EMI STRAPS: 100 MICROINCHES NICKEL OVERALL  
 AIR-VENT/LIGHT PIPE HOUSINGS: NICKEL OVER COPPER  
 TERMINALS: CONTACT AREA: 0.76  $\mu$ m MIN. GOLD OVER  
 2.54  $\mu$ m MIN. NICKEL.

## COMPLIANT TAIL:

0.76-1.52  $\mu$ m MATTE TIN OVER 1.27  $\mu$ m MIN NICKEL.

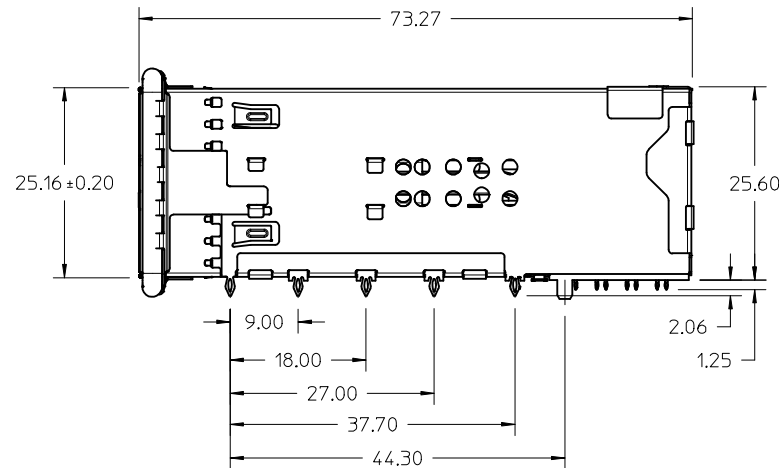
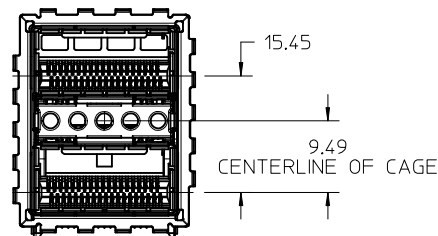
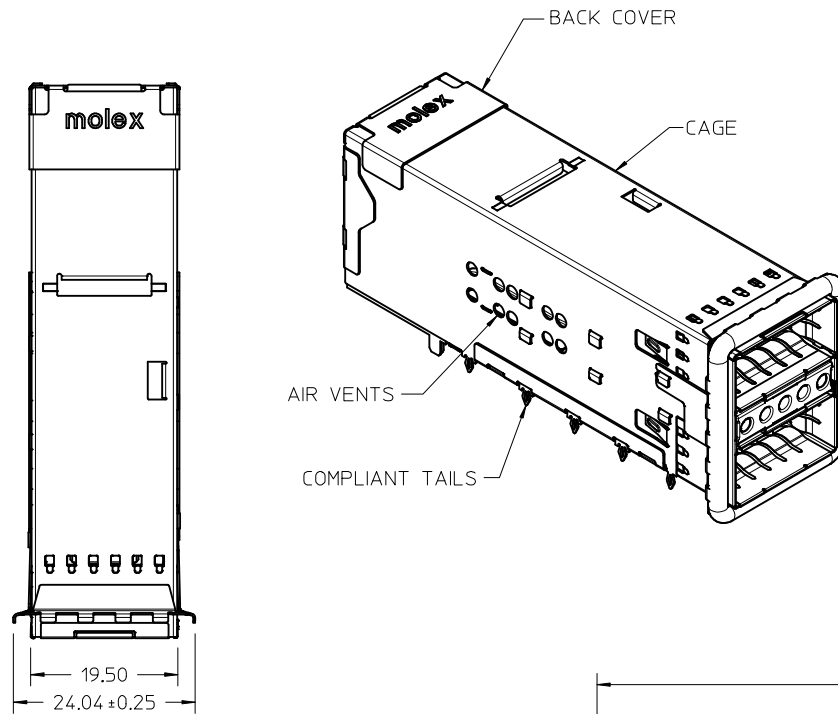
## 3. PACKAGING: PRODUCT PACKAGED IN TRAYS AND CARTONS

4. ALL VISIBLE EXTERIOR SURFACES TO BE CLASS "B" OR BETTER, EXCEPT FOR THE UNDERSIDE OF THE CAGE AND SHOULD CONFORM TO THE MOLEX COSMETIC STANDARD PS-171233-0001

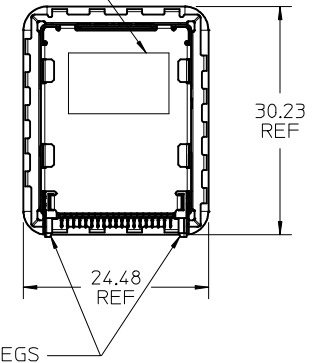
## 5. CONNECTOR MATES WITH PLUG CABLE SERIES 74757 AND 74758

## 6. DATE CODE LOCATION SHOWN

DATE CODE FORMAT:DDD  
 DDD= DAY OF THE YEAR  
 Y= YEAR

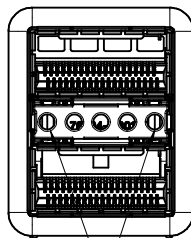


DATE CODE  
 LOCATION  
 SEE NOTE 6



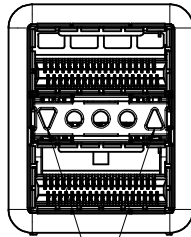
PART NUMBER	DESCRIPTION	GASKET
76871-0005	NO LIGHT PIPES	STANDARD
76871-0006	LEFT LP DOWN	STANDARD
76871-0008	LEFT LP UP	STANDARD
76871-0015	NO LIGHT PIPES	94V-0
76871-0016	LEFT LP DOWN	94V-0
76871-0018	LEFT LP UP	94V-0

REV	DESCRIPTION	QUALITY SYMBOLS	GENERAL TOLERANCES (UNLESS SPECIFIED)		DIMENSION STYLE	SCALE	DESIGN UNITS	THIRD ANGLE PROJECTION	
			mm	INCH	MM ONLY	2:1	METRIC	THIRD ANGLE PROJECTION	
ADDED 94V-0 PART NUMBERS	EC NO: UCP2014-5082	DRWN:HAVERY	2014/06/03	CHKD:	APPR:MBANAKIS	2014/06/05	DRAWN BY DATE		TITLE
							JJANTELEZ10	2010/04/30	
							CHECKED BY DATE		MOLEX MOLEX INCORPORATED
							JJANTELEZ10	2010/04/30	
							APPROVED BY DATE		SHEET NO. 1 OF 3
							MBANAKIS	2010/10/22	
							MATERIAL NO.	DOCUMENT NO.	
							SEE CHART		
							DRAFT WHERE APPLICABLE MUST REMAIN WITHIN DIMENSIONS		



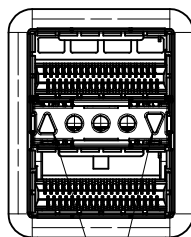
NO LIGHT PIPES

P/N 768710001/  
768710005  
76871-0015



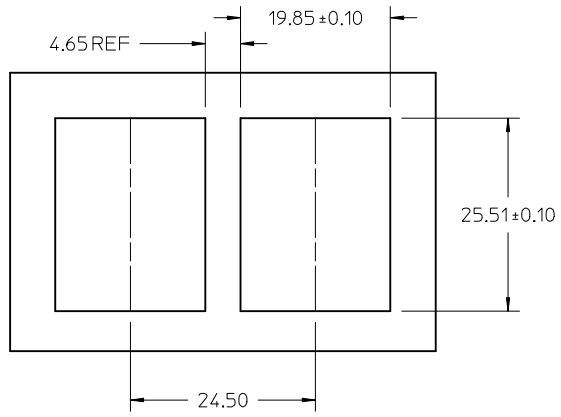
PORT ACTIVITY INDICATORS  
LIGHT PIPES

P/N 768710002/  
768710006  
768710016

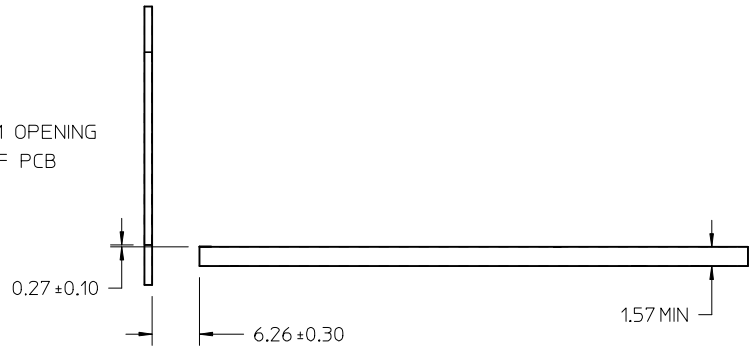


PORT ACTIVITY INDICATORS  
LIGHT PIPES

P/N 768710004/  
768710008  
768710018

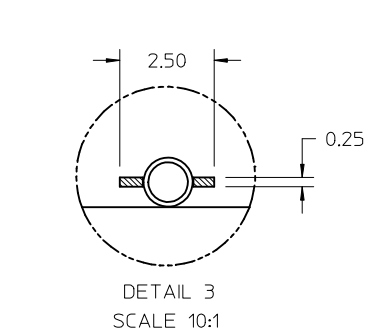


PANEL FROM OPENING  
TO TOP OF PCB



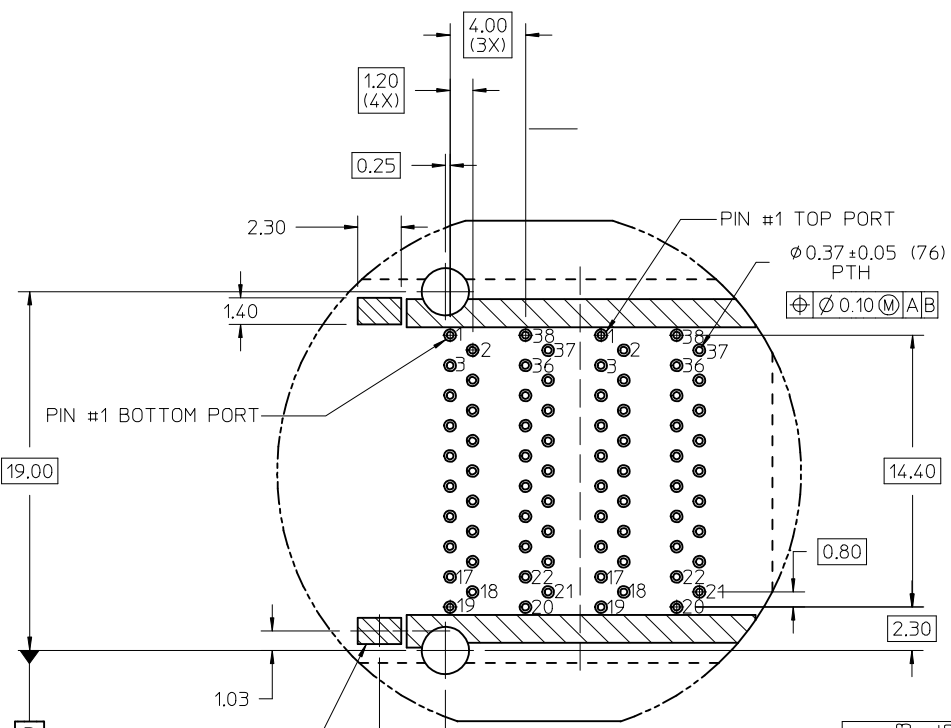
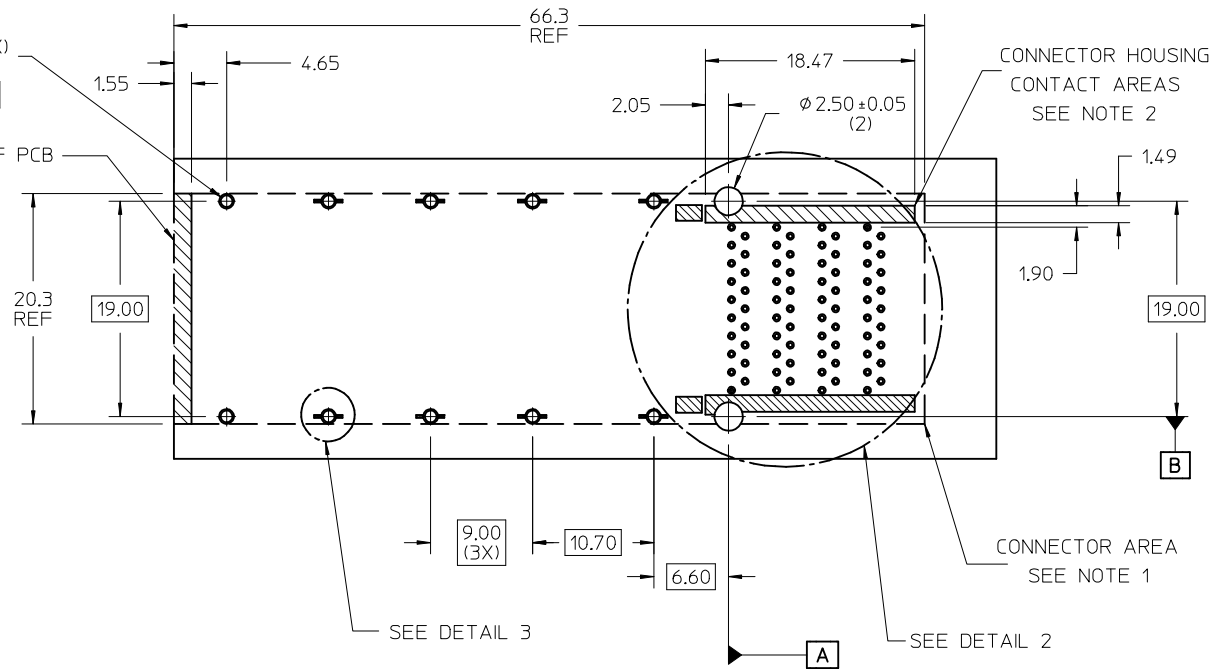
RECOMMENDED PANEL CUT-OUT

<b>SEE SHEET 1</b> EC NO: UCP2014-5082 DRWN:HAVERY 2014/06/03 CHKD: APPR:MBANAKIS 2014/06/05	QUALITY SYMBOLS 	GENERAL TOLERANCES (UNLESS SPECIFIED)		DIMENSION STYLE <b>MM ONLY</b>	SCALE <b>2:1</b>	DESIGN UNITS <b>METRIC</b>	THIRD ANGLE PROJECTION															
		<table border="1"> <tr> <th></th> <th>mm</th> <th>INCH</th> </tr> <tr> <td>4 PLACES</td> <td>± ---</td> <td>± ---</td> </tr> <tr> <td>3 PLACES</td> <td>± ---</td> <td>± ---</td> </tr> <tr> <td>2 PLACES</td> <td>± 0.13</td> <td>± ---</td> </tr> <tr> <td>1 PLACE</td> <td>± 0.25</td> <td>± ---</td> </tr> </table>		mm	INCH	4 PLACES	± ---	± ---	3 PLACES	± ---	± ---	2 PLACES	± 0.13	± ---	1 PLACE	± 0.25	± ---	DRAWN BY DATE JJANTELEZIO 2010/04/30	CHECKED BY DATE JJANTELEZIO 2010/04/30	TITLE <b>QSFP PLUS ASSEMBLY STACKED 2X1</b>		
		mm	INCH																			
	4 PLACES	± ---	± ---																			
3 PLACES	± ---	± ---																				
2 PLACES	± 0.13	± ---																				
1 PLACE	± 0.25	± ---																				
	ANGULAR ± 1/2°	APPROVED BY DATE MBANAKIS 2010/10/22	MATERIAL NO.			<b>MOLEX INCORPORATED</b>																
	DRAFT WHERE APPLICABLE MUST REMAIN WITHIN DIMENSIONS	<b>SEE SHEET 1</b>	DOCUMENT NO. <b>SD-76871-001</b>	SHEET NO. <b>2 OF 3</b>																		



DETAIL 3  
SCALE 10:1  
TRACE KEEP-OUT ZONE  
AROUND PRESS-FIT TAIL HOLES

$\phi 1.05 \pm 0.05$  (10X)  
PTH  
 $\phi \phi 0.10$  (M) A|B



DETAIL 2  
SCALE 5:1  
PCB PORT LAYOUT  
(COMPONENT SIDE)

NOTES:

1. THE ENTIRE AREA UNDER THE CONNECTOR (DASHED LINES) IS TO BE CONSIDERED A KEEP-OUT AREA FOR COMPONENTS.
2. HATCHED AREAS REPRESENT ZONES ON THE PCB THAT COME IN CONTACT WITH OR BE IN CLOSE PROXIMITY TO THE PLASTIC HOUSING OR THE CONNECTOR CAGE. INDICATED AREAS TO BE CONSIDERED TRACE FREE.
3. PIN NUMBERS ARE PER THE STANDARD. BOTH PORTS ARE IN THE SAME (UP-UP) MODULE ORIENTATION.
4. LED KEEP-IN ZONE DEFINES THE PHYSICAL SPACE ALLOWED FOR PLACEMENT OF SMD CHIP STYLE LED PACKAGES. KEEP-IN ZONE EXTENDS VERTICALLY TO 0,8mm ABOVE THE TOP SIDE OF BOARD.
5. SEE APPLICATION SPEC AS-76870-001 FOR RECOMMENDED DRILL HOLE SIZE.

SEE SHEET 1 EC NO: UCP2014-5082 DRWN:HAVERY 2014/06/03 CHKD: APPR:MBANAKIS 2014/06/05	QUALITY SYMBOLS $\nabla = 0$ $\nabla = 0$ $\nabla = 0$	GENERAL TOLERANCES (UNLESS SPECIFIED)		DIMENSION STYLE MM ONLY		SCALE 3:1	DESIGN UNITS METRIC	THIRD ANGLE PROJECTION		
				mm	INCH	DRAWN BY DATE JJANTELEZ10 2010/04/30		TITLE <b>QSFP PLUS ASSEMBLY STACKED 2X1</b>		
						CHECKED BY DATE JJANTELEZ10 2010/04/30				
						APPROVED BY DATE MBANAKIS 2010/10/22		<b>MOLEX INCORPORATED</b> DOCUMENT NO. SD-76871-001 SHEET NO. 3 OF 3		
				MATERIAL NO.						
		ANGULAR $\pm 1/2^\circ$		DRAFT WHERE APPLICABLE MUST REMAIN WITHIN DIMENSIONS		SEE SHEET 1				
				SIZE		THIS DRAWING CONTAINS INFORMATION THAT IS PROPRIETARY TO MOLEX INCORPORATED AND SHOULD NOT BE USED WITHOUT WRITTEN PERMISSION				