



Chipsmall Limited consists of a professional team with an average of over 10 year of expertise in the distribution of electronic components. Based in Hongkong, we have already established firm and mutual-benefit business relationships with customers from,Europe,America and south Asia,supplying obsolete and hard-to-find components to meet their specific needs.

With the principle of “Quality Parts,Customers Priority,Honest Operation,and Considerate Service”,our business mainly focus on the distribution of electronic components. Line cards we deal with include Microchip,ALPS,ROHM,Xilinx,Pulse,ON,Everlight and Freescale. Main products comprise IC,Modules,Potentiometer,IC Socket,Relay,Connector.Our parts cover such applications as commercial,industrial, and automotives areas.

We are looking forward to setting up business relationship with you and hope to provide you with the best service and solution. Let us make a better world for our industry!



## Contact us

Tel: +86-755-8981 8866 Fax: +86-755-8427 6832

Email & Skype: info@chipsmall.com Web: www.chipsmall.com

Address: A1208, Overseas Decoration Building, #122 Zhenhua RD., Futian, Shenzhen, China





# COMPRESSION LOCK



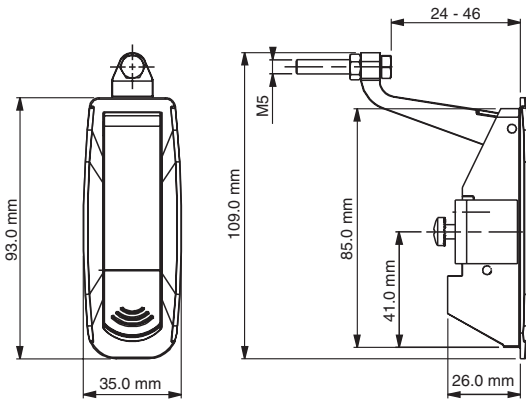
### Specifications

- Material:
  - Body: Zinc Alloy (Zamak) DIN-EN 1774-ZnAl4Cu1
  - Handle: Zinc Alloy (Zamak) DIN-EN 1774-ZnAl4Cu1
  - Installation Bracket: Steel
- Suitable for maximum 2 mm door thickness

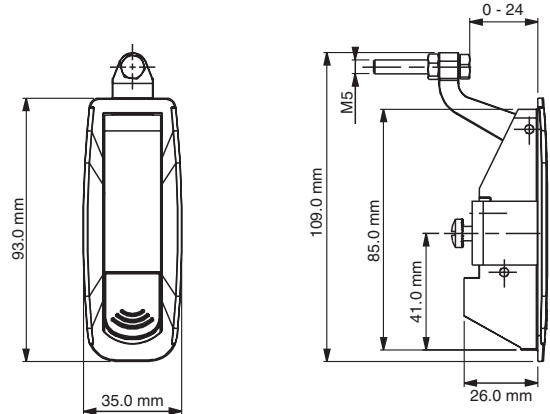
### Features

- Available with or without cylinder
- Assemble lock with one installation bracket
- Applications: Generators, compressors, electric panels, machinery covers

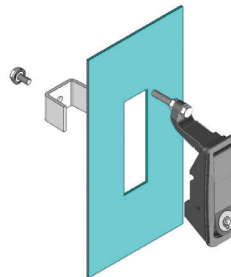
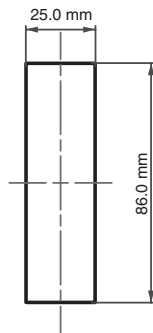
Version 1



Version 2



### Cut Out



Item Number	Material	Finish	Driver	Grip Adjustment	Version
0771100	Zinc Alloy	Chrome	No cylinder	24 mm - 46 mm	1
0771103	Zinc Alloy	Chrome	Euro Key	24 mm - 46 mm	1
0771200	Zinc Alloy	Black	No cylinder	24 mm - 46 mm	1
0771203	Zinc Alloy	Black	Euro Key	24 mm - 46 mm	1
0772100	Zinc Alloy	Chrome	No cylinder	0 mm - 22 mm	2
0772103	Zinc Alloy	Chrome	Euro Key	0 mm - 22 mm	2
0772200	Zinc Alloy	Black	No cylinder	0 mm - 22 mm	2
0772203	Zinc Alloy	Black	Euro Key	0 mm - 22 mm	2