



Chipsmall Limited consists of a professional team with an average of over 10 year of expertise in the distribution of electronic components. Based in Hongkong, we have already established firm and mutual-benefit business relationships with customers from,Europe,America and south Asia,supplying obsolete and hard-to-find components to meet their specific needs.

With the principle of "Quality Parts,Customers Priority,Honest Operation,and Considerate Service",our business mainly focus on the distribution of electronic components. Line cards we deal with include Microchip,ALPS,ROHM,Xilinx,Pulse,ON,Everlight and Freescale. Main products comprise IC,Modules,Potentiometer,IC Socket,Relay,Connector.Our parts cover such applications as commercial,industrial, and automotives areas.

We are looking forward to setting up business relationship with you and hope to provide you with the best service and solution. Let us make a better world for our industry!



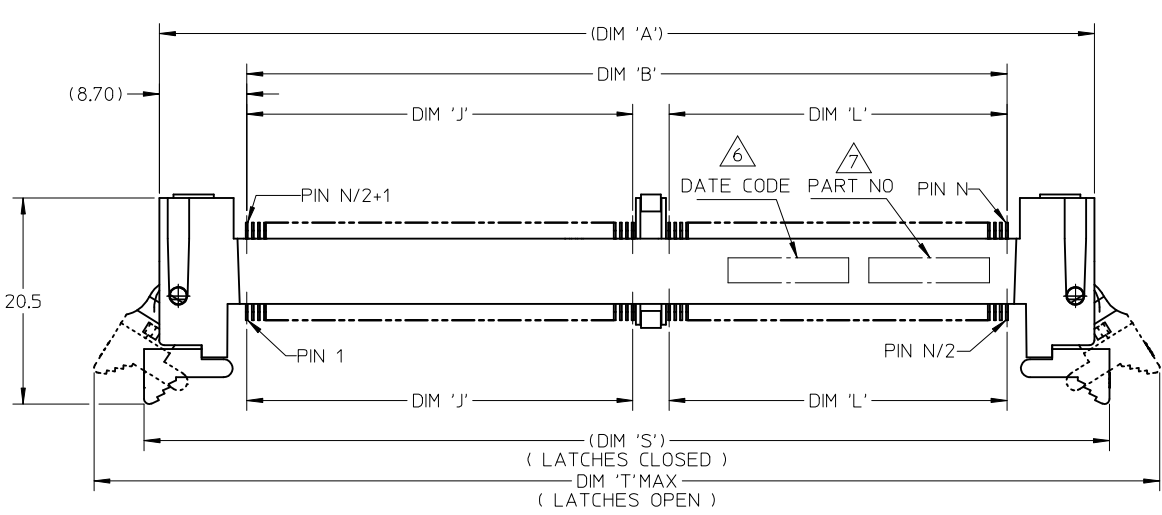
Contact us

Tel: +86-755-8981 8866 Fax: +86-755-8427 6832

Email & Skype: info@chipsmall.com Web: www.chipsmall.com

Address: A1208, Overseas Decoration Building, #122 Zhenhua RD., Futian, Shenzhen, China

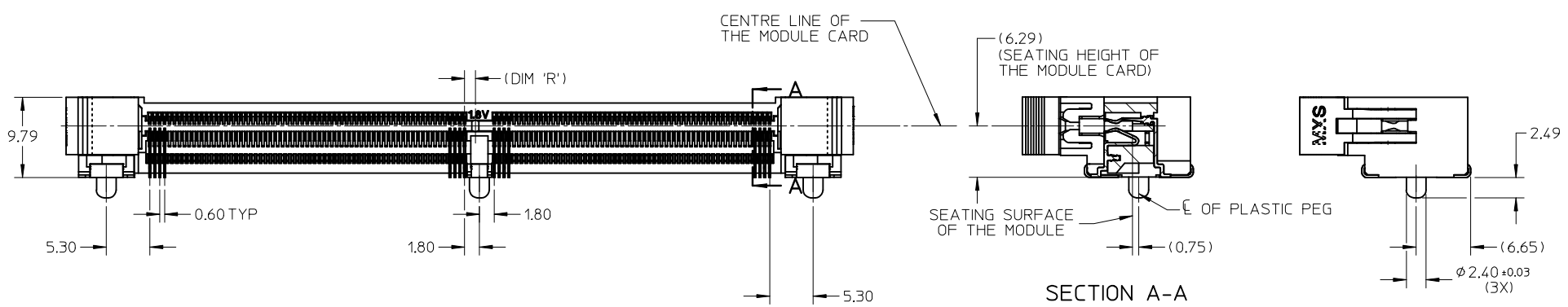




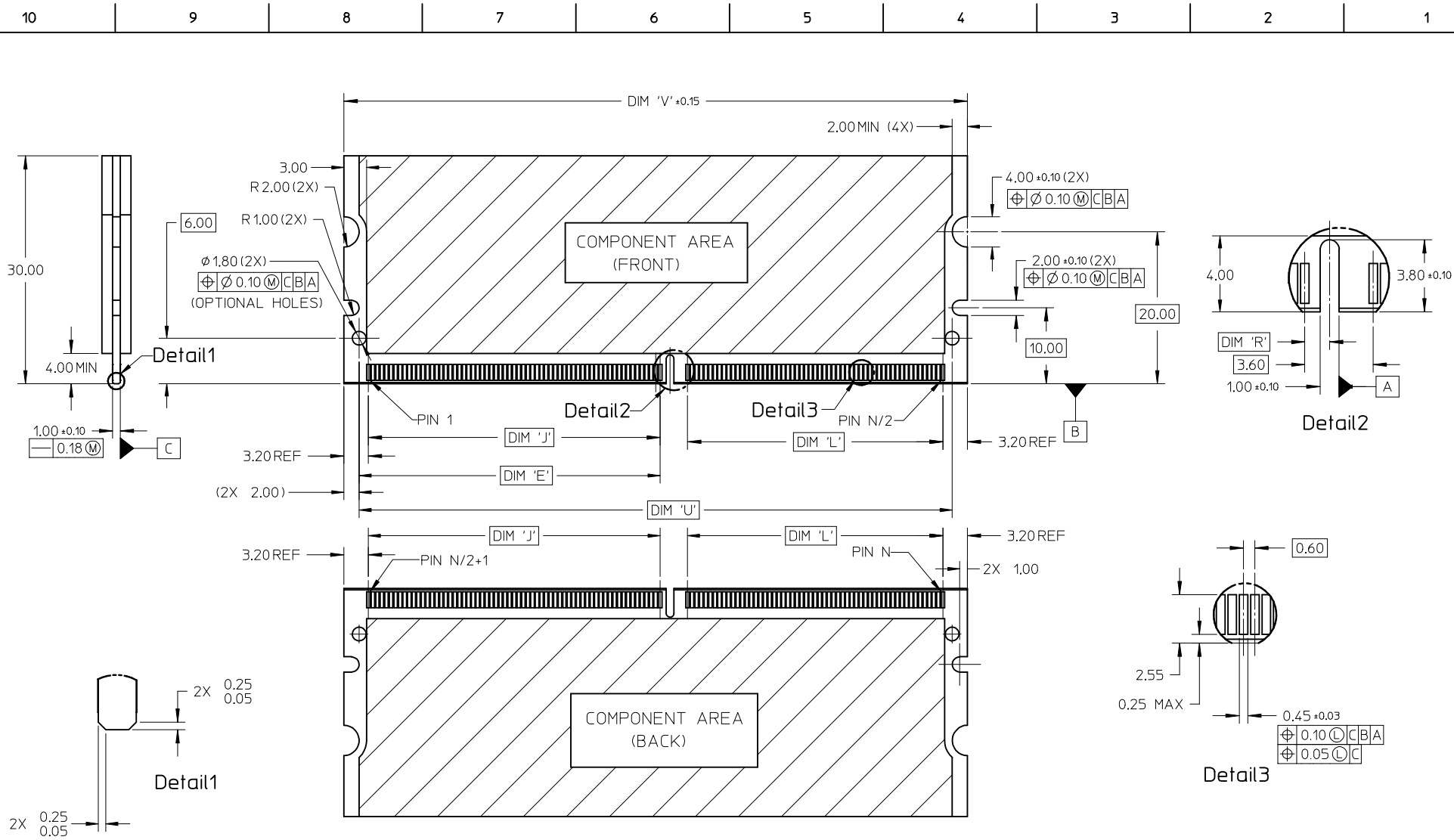
NOTES :

- MATERIAL :
HOUSING : HIGH TEMPERATURE LIQUID CRYSTAL POLYMER, UL94V-0
COLOUR : BLACK
CONTACTS : COPPER ALLOY
LATCHES : HIGH TEMPERATURE NYLON, UL94V-0,
COLOUR : NATURAL (OFF-WHITE)
- FINISH :
CONTACT AREA : 0.76 MICROMETER (30 MICROINCH) MIN GOLD OVER
1.25 MICROMETER (50 MICROINCH) MIN NICKEL
SOLDER LEADS : 2.54 MICROMETER (100 MICROINCH) MIN TIN OVER
1.25MICROMETER (50 MICROINCH) MIN NICKEL
- ACCEPTS 1.0 mm THICK MEMORY MODULE PER JEDEC MO-244
FOR 244 CKTS AND MO-258 FOR 200 CKTS.
- PRODUCT SPECIFICATION : PS-78001-001
- PACKAGING SPECIFICATION: PRODUCT SHALL BE PACKED IN TRAY.
PLS REFER TO SHEET 4.

- DATE CODE SHALL BE MARKED LEGIBLY AS SHOWN :YYDD
- PART NUMBER SHALL BE MARKED LEGIBLY AS SHOWN.
78001-XXXX (REFER TO TABLE)



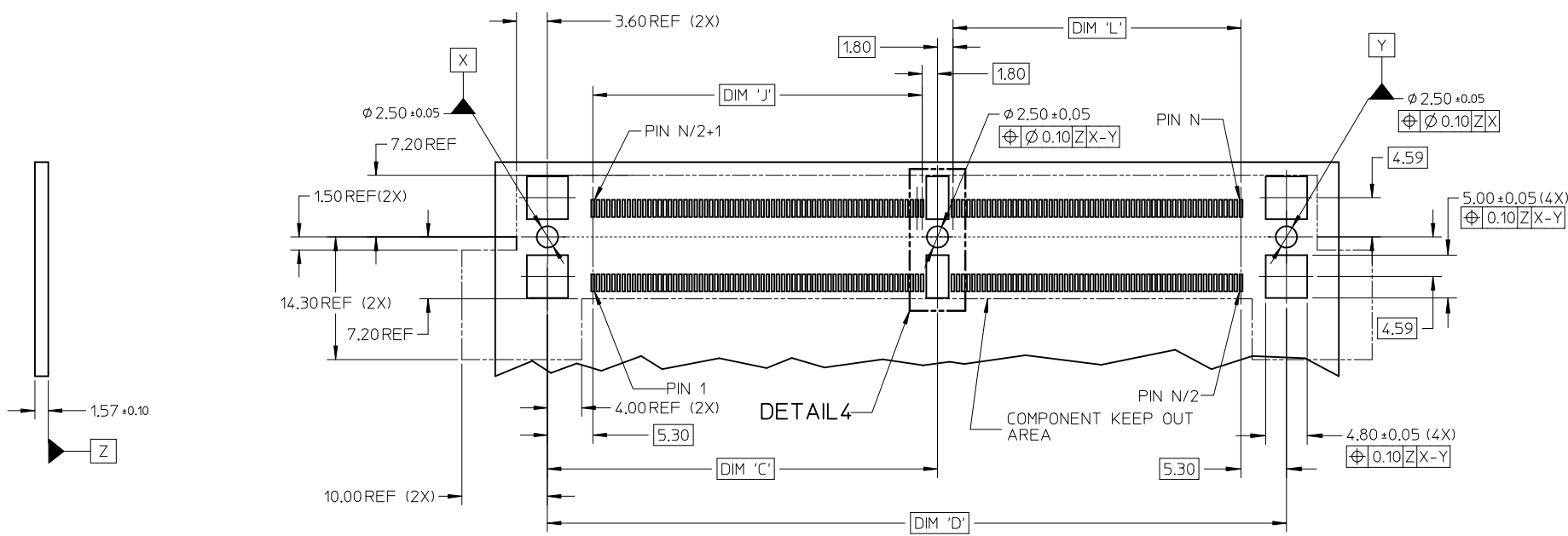
ADD PART NUMBER EC NO: S2014-0858 DRWN: JAKEENW 2013/12/26 CH'KD: CCTEH 2014/03/19 APPR: SHLENI 2014/03/20 REV B3	QUALITY SYMBOLS $\nabla = 0$ $\nabla = 0$ $\nabla = 0$	GENERAL TOLERANCES (UNLESS SPECIFIED)		DIMENSION STYLE MM ONLY		SCALE NTS	DESIGN UNITS METRIC	THIRD ANGLE PROJECTION	
		4 PLACES \pm --- \pm ---	mm INCH	DRAWN BY SHLENI	DATE 2005/03/14	TITLE MINI DIMM, 0.60MM PITCH 200/244 CKTS REVERSE R/A			
		3 PLACES \pm --- \pm ---		CHECKED BY MLONG	DATE 2005/03/31	mox			
		2 PLACES ± 0.13 \pm ---		APPROVED BY GGLEE	DATE 2005/03/31	MATERIAL NO. SEE TABLE	DOCUMENT NO. SD-78001-003	SHEET NO. 1 OF 4	
		1 PLACE ± 0.25 \pm ---		ANGULAR $\pm 1^\circ$		THIS DRAWING CONTAINS INFORMATION THAT IS PROPRIETARY TO MOLEX INCORPORATED AND SHOULD NOT BE USED WITHOUT WRITTEN PERMISSION			
		0 PLACE \pm \pm		DRAFT WHERE APPLICABLE MUST REMAIN WITHIN DIMENSIONS					



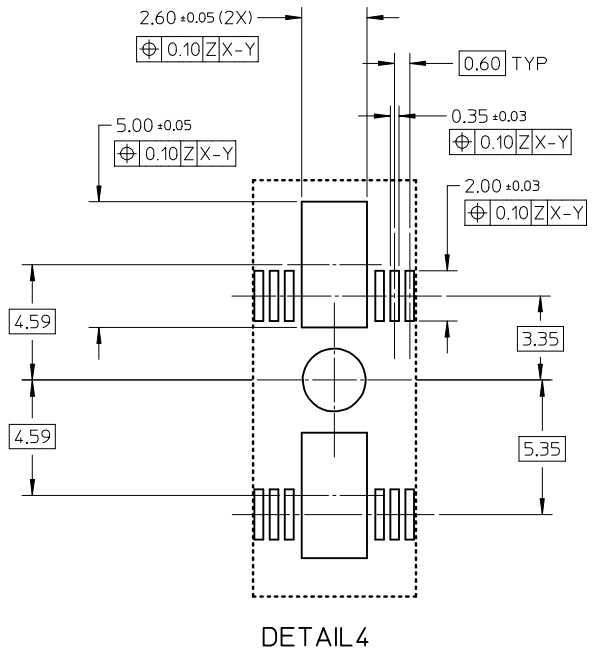
ADD PART NUMBER EC NO: S2014-0858 DRWN: JAKEEW 2013/12/26 CH'KD: CCTEH 2014/03/19 APPR: SHLENI 2014/03/20	QUALITY SYMBOLS $F_A=0$ $F_G=0$ $F_P=0$	GENERAL TOLERANCES (UNLESS SPECIFIED)		DIMENSION STYLE MM ONLY	SCALE NTS	DESIGN UNITS METRIC	THIRD ANGLE PROJECTION
		4 PLACES ± --- ± --- 3 PLACES ± --- ± --- 2 PLACES ± 0.13 ± --- 1 PLACE ± 0.25 ± --- 0 PLACE ± ±	mm INCH	DRAWN BY: SHLENI DATE: 2005/03/14 CHECKED BY: MLONG DATE: 2005/03/31 APPROVED BY: GGLEE DATE: 2005/03/31	TITLE MINI DIMM, 0.60MM PITCH 200/244 CKTS REVERSE R/A		
		ANGULAR ± 1 ° DRAFT WHERE APPLICABLE MUST REMAIN WITHIN DIMENSIONS		MATERIAL NO. SEE TABLE	DOCUMENT NO. SD-78001-003	SHEET NO. 2 OF 4	
		SIZE A3		THIS DRAWING CONTAINS INFORMATION THAT IS PROPRIETARY TO MOLEX INCORPORATED AND SHOULD NOT BE USED WITHOUT WRITTEN PERMISSION			

10 9 8 7 6 5 4 3 2 1

F
E
D
C
B
A



RECOMMENDED PCB LAYOUT



9 8 7 6 5 4 3 2 1

ADD PART NUMBER EC NO: S2014-0858 DRWN: JAKEEWEW 2013/12/26 CHKD: CCTEH 2014/03/19 APPR: SHLENI 2014/03/20 REV: B3	QUALITY SYMBOLS $F_{\sigma} = 0$ $F_{\sigma} = 0$ $F_{\sigma} = 0$	GENERAL TOLERANCES (UNLESS SPECIFIED)	DIMENSION STYLE MM ONLY	SCALE NTS	DESIGN UNITS METRIC	THIRD ANGLE PROJECTION																														
		<table border="1"> <thead> <tr> <th></th> <th>mm</th> <th>INCH</th> </tr> </thead> <tbody> <tr> <td>4 PLACES</td> <td>\pm ---</td> <td>\pm ---</td> </tr> <tr> <td>3 PLACES</td> <td>\pm ---</td> <td>\pm ---</td> </tr> <tr> <td>2 PLACES</td> <td>\pm 0.13</td> <td>\pm ---</td> </tr> <tr> <td>1 PLACE</td> <td>\pm 0.25</td> <td>\pm ---</td> </tr> <tr> <td>0 PLACE</td> <td>\pm</td> <td>\pm</td> </tr> </tbody> </table>		mm	INCH	4 PLACES	\pm ---	\pm ---	3 PLACES	\pm ---	\pm ---	2 PLACES	\pm 0.13	\pm ---	1 PLACE	\pm 0.25	\pm ---	0 PLACE	\pm	\pm	<table border="1"> <thead> <tr> <th>DRAWN BY</th> <th>DATE</th> <th>TITLE</th> </tr> </thead> <tbody> <tr> <td>SHLENI</td> <td>2005/03/14</td> <td rowspan="4"> MINI DIMM, 0.60MM PITCH 200/244 CKTS REVERSE R/A molex </td> </tr> <tr> <td>CHECKED BY</td> <td>DATE</td> </tr> <tr> <td>MLONG</td> <td>2005/03/31</td> </tr> <tr> <td>APPROVED BY</td> <td>DATE</td> </tr> </tbody> </table>	DRAWN BY	DATE	TITLE	SHLENI	2005/03/14	MINI DIMM, 0.60MM PITCH 200/244 CKTS REVERSE R/A molex	CHECKED BY	DATE	MLONG	2005/03/31	APPROVED BY	DATE	MATERIAL NO.	DOCUMENT NO.	SHEET NO.
		mm	INCH																																	
	4 PLACES	\pm ---	\pm ---																																	
3 PLACES	\pm ---	\pm ---																																		
2 PLACES	\pm 0.13	\pm ---																																		
1 PLACE	\pm 0.25	\pm ---																																		
0 PLACE	\pm	\pm																																		
DRAWN BY	DATE	TITLE																																		
SHLENI	2005/03/14	MINI DIMM, 0.60MM PITCH 200/244 CKTS REVERSE R/A molex																																		
CHECKED BY	DATE																																			
MLONG	2005/03/31																																			
APPROVED BY	DATE																																			
	ANGULAR $\pm 1^{\circ}$ DRAFT WHERE APPLICABLE MUST REMAIN WITHIN DIMENSIONS	SEE TABLE	SD-78001-003	3 OF 4																																

THIS DRAWING CONTAINS INFORMATION THAT IS PROPRIETARY TO MOLEX INCORPORATED AND SHOULD NOT BE USED WITHOUT WRITTEN PERMISSION

ASSEMBLY P/N	CKT SIZE "N"	MODULE CARD	VOLTAGE KEY	DIM 'R'	DIM 'E'	DIM 'J'	DIM 'L'	DIM 'A'	DIM 'S'	DIM 'T'	DIM 'U'	DIM 'V'	DIM 'C'	DIM 'D'	DIM 'B'	PACKAGING SPECIFICATION
78001-1200	200	DDR2	1.8 V	1.30	24.60	23.40	35.40	79.8	82.8	93.0	64.80	68.80	30.50	73.00	62.40	PK-78001-001
78001-2200		DDR	2.5 V	2.30												
78001-1244	244	DDR2	1.8 V	1.30	39.60	38.40	33.60	93.0	96.0	106.2	78.00	82.00	45.50	86.20	75.60	PK-78001-002
78001-1344		DDR3	1.5 V	2.30												PK-78001-003
78001-3244		DDR2	1.8 V	1.30												PK-78001-003
78001-3344		DDR3	1.5 V	2.30												PK-78001-003
78001-4244		DDR2	1.8 V	1.30												PK-78001-004
78001-4344		DDR3	1.5 V	2.30												PK-78001-004

ADD PART NUMBER EC NO: S2014-0858 DRWN: JAKEEW 2013/12/26 CHKD: CTEH 2014/03/19 APPR: SHLENI 2014/03/20	DESCRIPTION REV	QUALITY SYMBOLS	GENERAL TOLERANCES (UNLESS SPECIFIED)	DIMENSION STYLE	SCALE	DESIGN UNITS	THIRD ANGLE PROJECTION
		$F_A=0$ $F_G=0$ $F_P=0$	mm INCH 4 PLACES ± --- ± --- 3 PLACES ± --- ± --- 2 PLACES ± 0.13 ± --- 1 PLACE ± 0.25 ± --- 0 PLACE ± ±	MM ONLY	NTS	METRIC	MINI DIMM, 0.60MM PITCH 200/244 CKTS REVERSE R/A molex
		ANGULAR ± 1 ° DRAFT WHERE APPLICABLE MUST REMAIN WITHIN DIMENSIONS	DRAWN BY: SHLENI DATE: 2005/03/14 CHECKED BY: MLONG DATE: 2005/03/31 APPROVED BY: GGLEE DATE: 2005/03/31	MATERIAL NO. SEE TABLE	DOCUMENT NO. SD-78001-003	SHEET NO. 4 OF 4	
		B3		SIZE A3	THIS DRAWING CONTAINS INFORMATION THAT IS PROPRIETARY TO MOLEX INCORPORATED AND SHOULD NOT BE USED WITHOUT WRITTEN PERMISSION		