



Chipsmall Limited consists of a professional team with an average of over 10 year of expertise in the distribution of electronic components. Based in Hongkong, we have already established firm and mutual-benefit business relationships with customers from,Europe,America and south Asia,supplying obsolete and hard-to-find components to meet their specific needs.

With the principle of “Quality Parts,Customers Priority,Honest Operation,and Considerate Service”,our business mainly focus on the distribution of electronic components. Line cards we deal with include Microchip,ALPS,ROHM,Xilinx,Pulse,ON,Everlight and Freescale. Main products comprise IC,Modules,Potentiometer,IC Socket,Relay,Connector.Our parts cover such applications as commercial,industrial, and automotives areas.

We are looking forward to setting up business relationship with you and hope to provide you with the best service and solution. Let us make a better world for our industry!



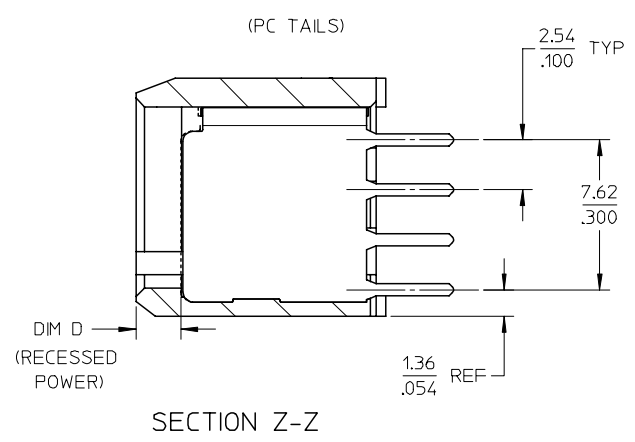
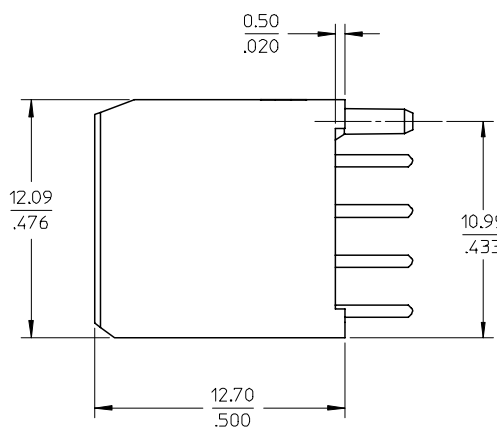
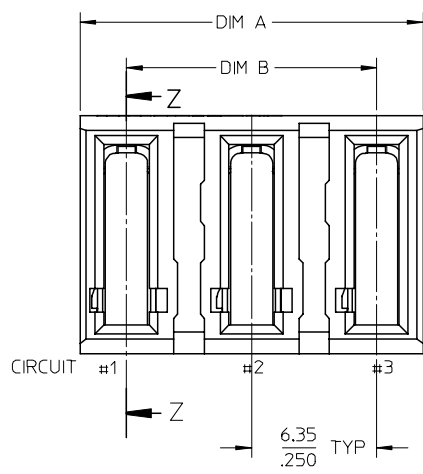
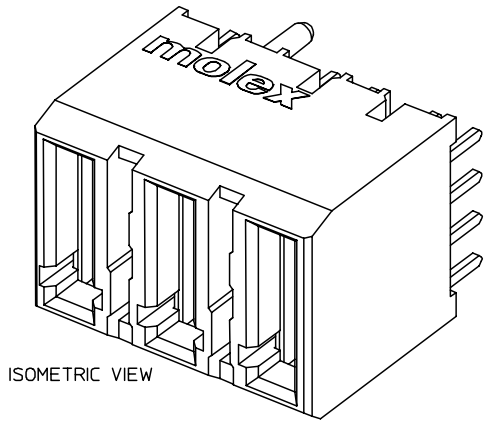
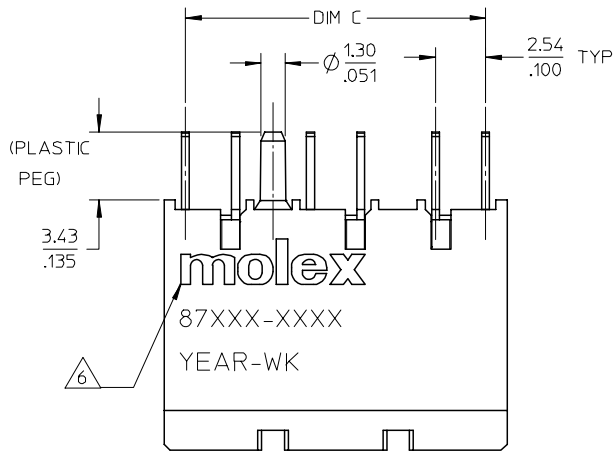
Contact us

Tel: +86-755-8981 8866 Fax: +86-755-8427 6832

Email & Skype: info@chipsmall.com Web: www.chipsmall.com

Address: A1208, Overseas Decoration Building, #122 Zhenhua RD., Futian, Shenzhen, China





PDRS-001039-00-00 EC NO: S2006-0297 DRWN:NRVITAPALLI 2005/09/20 CHKD:BLHOW 2005/09/20 APPR:PTLIM 2005/09/20	QUALITY SYMBOLS ▽=0 ▽=0	GENERAL TOLERANCES (UNLESS SPECIFIED)		DIMENSION STYLE	SCALE	DESIGN UNITS	THIRD ANGLE PROJECTION	
				MM/IN	NTS	METRIC		
				mm	INCH			
				4 PLACES ± ---	± ---	DRAWN BY	DATE	TITLE
		3 PLACES ± ---	± ---	NRVITAPALLI	2005/09/10	POWER CONN. RECEPTACLE		
		2 PLACES ± 0.25	± ---	CHECKED BY	DATE	POWER CONFIGURATION		
		1 PLACE ± ---	± ---	BLHOW	2005/09/13	VERTICAL, THROUGH HOLE		
		ANGULAR ± 3 °		APPROVED BY	DATE	MOLEX INCORPORATED		
		DRAFT WHERE APPLICABLE MUST REMAIN WITHIN DIMENSIONS		PTLIM	2005/09/13	MOLEX INCORPORATED		
				MATERIAL NO.	DOCUMENT NO.	SHEET NO.		
				SEE TABLE	SD-78042-001	1 OF 2		
				THIS DRAWING CONTAINS INFORMATION THAT IS PROPRIETARY TO MOLEX INCORPORATED AND SHOULD NOT BE USED WITHOUT WRITTEN PERMISSION				

10	9	8	7	6	5	4	3	2	1
PART NUMBER	NUMBER OF POWER PINS	RECESSED POWER CIRCUIT #	DIM A	DIM B	DIM C	DIM D	PACKAGING	PLATING OPTION	
78042-0001	3	ALL	17.40 .685	12.70 .500	15.24 .600	2.39 .094	TRAY	TIN	

CONNECTOR - NOTES

1. MATERIALS :

HOUSING - LCP, GLASS FILLED, UL94-V0, COLOR: BLACK.
POWER PIN - COPPER ALLOY

2. PLATING :

POWER CONTACTS
0.76 MICROMETER MINIMUM GOLD (Au) AT CONTACT AREA AND
2.54 MICROMETER MINIMUM TIN AT SOLDER TAIL AREA
OVER 1.27um MIN. NICKEL (Ni) UNDERPLATE.

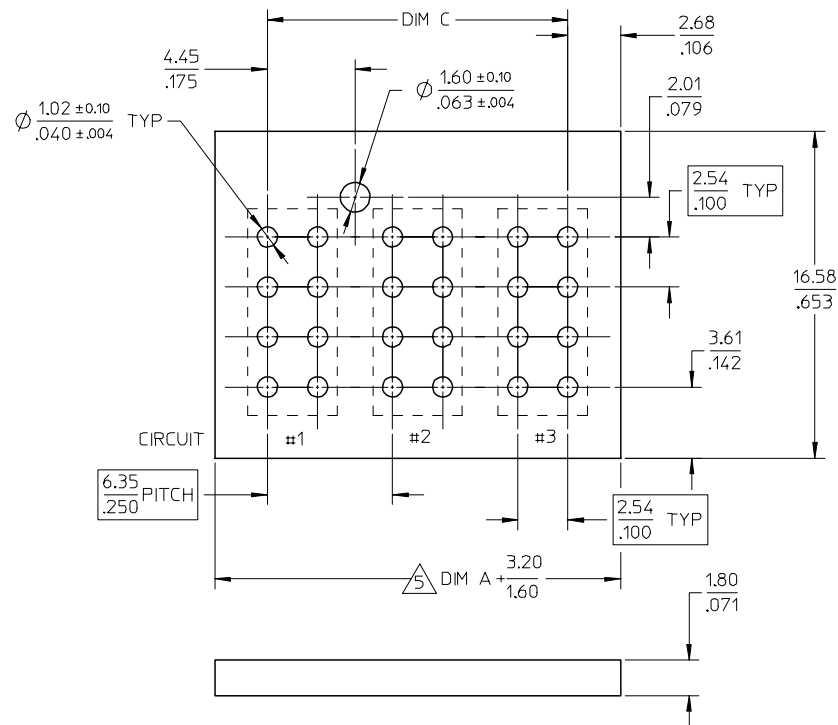
3. PRODUCT SPECIFICATION: PS-87631-006.

4. PCB NOTE FOR DIAMETER 1.02/.040 PLATED HOLE.

- DRILLED HOLE SIZE IS 1.151/.0453
- PLATE WITH 0.007/.0003 MINIMUM TIN OVER 0.03/.001 TO 0.08/.003 COPPER PLATING TO ACHIEVE 1.02±0.08/.040±0.003 HOLE.

SEE SHEET 2 FOR RECOMMENDED PCB LAYOUT.

- ⚠ COMPONENT STAY AWAY ZONE FROM CONNECTOR.
- ⚠ MANUFACTURER LOGO, PART NUMBER AND YEAR-WEEK CODE.



RECOMMENDED PCB LAYOUT

PDR:S-001039-00-00 EC NO: S2006-0297 DRWN:NRVITAPALLI 2005/09/20 CHKD:BLHOW 2005/09/20 APPR:PTLIM 2005/09/20	QUALITY SYMBOLS ▽=0 ▽C=0	GENERAL TOLERANCES (UNLESS SPECIFIED)		DIMENSION STYLE MM/IN		SCALE NTS	DESIGN UNITS METRIC	THIRD ANGLE PROJECTION		
			mm	INCH	DRAWN BY NRVITAPALLI	DATE 2005/09/10	POWER CONN. RECEPTACLE POWER CONFIGURATION VERTICAL, THROUGH HOLE			
		4 PLACES	± ---	± ---	CHECKED BY BHLOW	DATE 2005/09/13				
		3 PLACES	± ---	± ---	APPROVED BY PTLIM		DATE 2005/09/13	MOLEX INCORPORATED		
2 PLACES	± 0.25	± ---	DRAFT WHERE APPLICABLE MUST REMAIN WITHIN DIMENSIONS		SEE TABLE		DOCUMENT NO. SD-78042-001	SHEET NO. 2 OF 2		
1 PLACE	± ---	± ---					THIS DRAWING CONTAINS INFORMATION THAT IS PROPRIETARY TO MOLEX INCORPORATED AND SHOULD NOT BE USED WITHOUT WRITTEN PERMISSION			
ANGULAR ± 3 °										