



Chipsmall Limited consists of a professional team with an average of over 10 year of expertise in the distribution of electronic components. Based in Hongkong, we have already established firm and mutual-benefit business relationships with customers from,Europe,America and south Asia,supplying obsolete and hard-to-find components to meet their specific needs.

With the principle of "Quality Parts,Customers Priority,Honest Operation,and Considerate Service",our business mainly focus on the distribution of electronic components. Line cards we deal with include Microchip,ALPS,ROHM,Xilinx,Pulse,ON,Everlight and Freescale. Main products comprise IC,Modules,Potentiometer,IC Socket,Relay,Connector.Our parts cover such applications as commercial,industrial, and automotives areas.

We are looking forward to setting up business relationship with you and hope to provide you with the best service and solution. Let us make a better world for our industry!



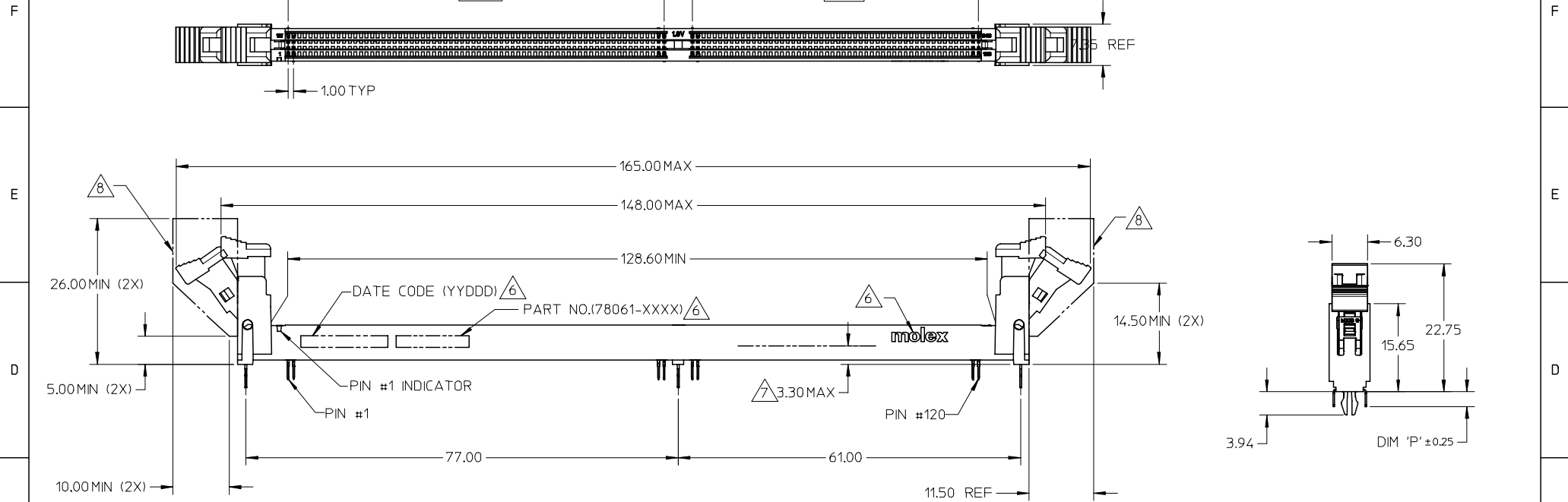
## Contact us

Tel: +86-755-8981 8866 Fax: +86-755-8427 6832

Email & Skype: info@chipsmall.com Web: www.chipsmall.com

Address: A1208, Overseas Decoration Building, #122 Zhenhua RD., Futian, Shenzhen, China





- NOTES :
- 1.MATERIAL : HOUSING - HIGH TEMP. NYLON, GLASS FILLED, UL 94V-0  
COLOUR : BLACK.  
LATCH - HIGH TEMP NYLON, GLASS FILLED, UL 94V-0  
COLOUR : NATURAL (OFF WHITE) OR BLACK.  
TERMINAL : COPPER ALLOY.
  - 2.PLATING - SEE TABLE ON SHEET 4.
  - 3.CARD SLOT ACCEPTS 1.27±0.10MM MODULE THICKNESS  
(MEASURED FROM P.C. PADS).
  - 4.REFER TO PRODUCT SPECIFICATION, PS-78061-001 FOR PERFORMANCE SPECIFICATIONS.
  - 5.PRODUCT SHALL BE PACKED IN TRAY. PLS REFER TO SHEET 5.

6. MOLEX LOGO, DATE & PART NO. INDICATED ON HOUSING.
7. MODULE SEATING PLANE FROM TOP OF PCB.
8. KEEP OUT ZONE RESERVED FOR LATCH (PER JEDEC SO-003,REV.A).
9. MODULE CARD USED IN PRODUCT TESTING ARE CHAMFERED.
10. KEEP OUT AREA IS THE AREA WHERE THE CONNECTOR (INCLUDING LATCH) IS MOUNTED ON THE PCB (PER JEDEC SO-003,REV.A).

TRAY DWG ADDED	2006/12/26
EC NO: S2007-0602	2006/12/26
DRWN:CMTED	2006/12/26
CHKD:SHLENI	2006/12/26
APPR:GGLLEE	2006/12/26
REV	DESCRIPTION
A4	

QUALITY SYMBOLS	▽=0
	∇=0

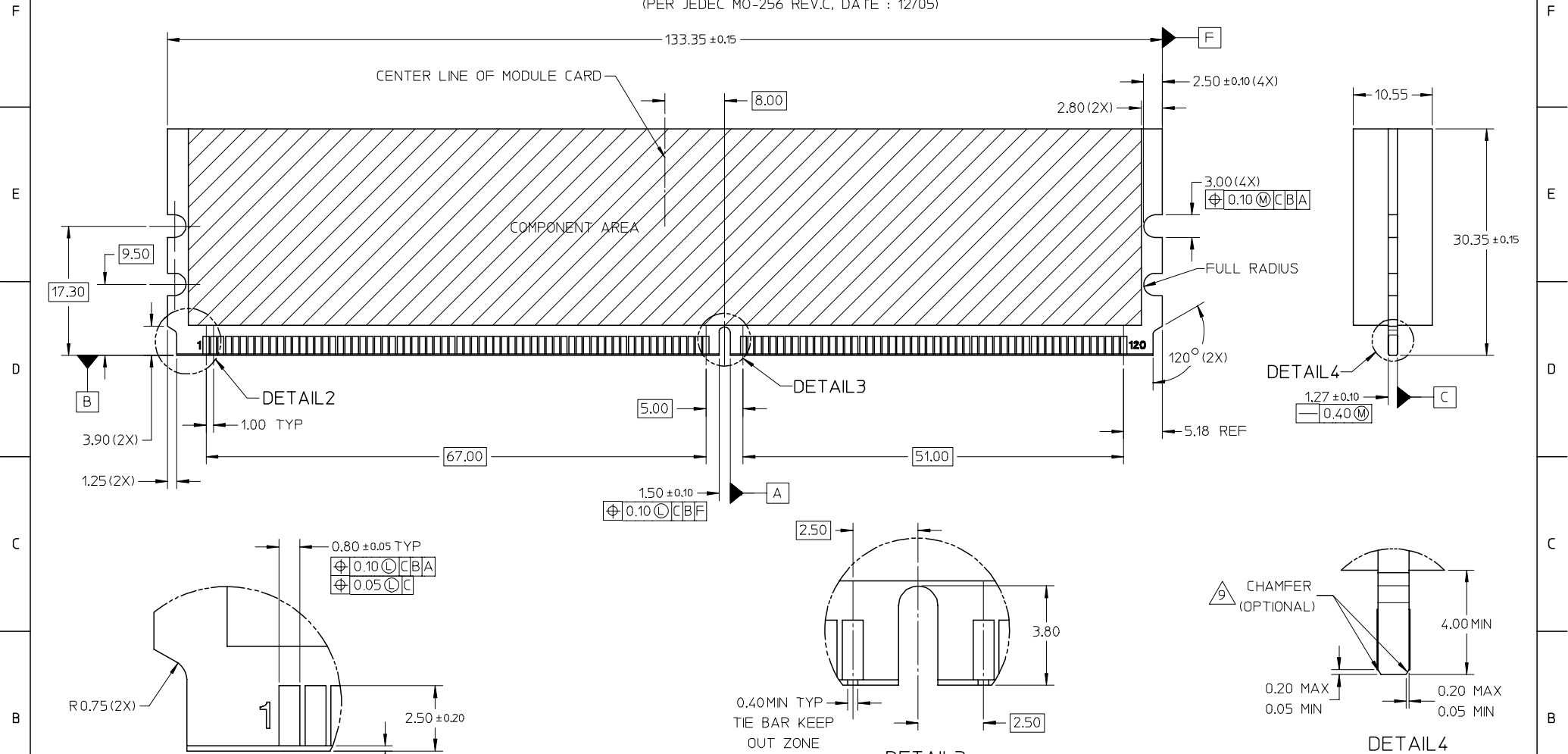
GENERAL TOLERANCES (UNLESS SPECIFIED)		
	mm	INCH
4 PLACES	± ---	± ---
3 PLACES	± ---	± ---
2 PLACES	± 0.2	± ---
1 PLACE	± ---	± ---
ANGULAR ± 1 °		
DRAFT WHERE APPLICABLE MUST REMAIN WITHIN DIMENSIONS		

DIMENSION STYLE	
MM ONLY	
DRAWN BY	DATE
JTAN	2005/10/20
CHECKED BY	DATE
SRRAMESH	2005/12/05
APPROVED BY	DATE
GGLLEE	2005/12/06
MATERIAL NO.	
SEE TABLE	
SIZE	
A3	

SCALE	DESIGN UNITS	THIRD ANGLE PROJECTION	
NTS	METRIC		
TITLE		FB DIMM, 1.00MM PITCH 240 CKTS, VERTICAL T/H	
MOLEX INCORPORATED		SHEET NO. 1 OF 5	
DOCUMENT NO.		SD-78061-001	
THIS DRAWING CONTAINS INFORMATION THAT IS PROPRIETARY TO MOLEX INCORPORATED AND SHOULD NOT BE USED WITHOUT WRITTEN PERMISSION			

10 9 8 7 6 5 4 3 2 1

MODULE CARD  
 FB DIMM, DUAL IN-LINE MEMORY MODULE FAMILY 1.00MM CONTACT CENTERS  
 (PER JEDEC MO-256 REV.C, DATE : 12/05)



TRAY DWG ADDED	2006/12/26
EC NO: S2007-0602	2006/12/26
DRWN:CMTEO	2006/12/26
CHKD:SHLENI	2006/12/26
APPR:GGLLEE	2006/12/28

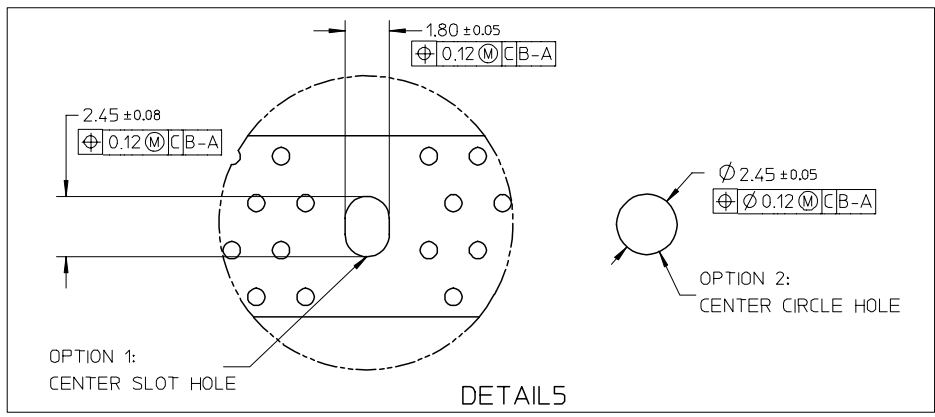
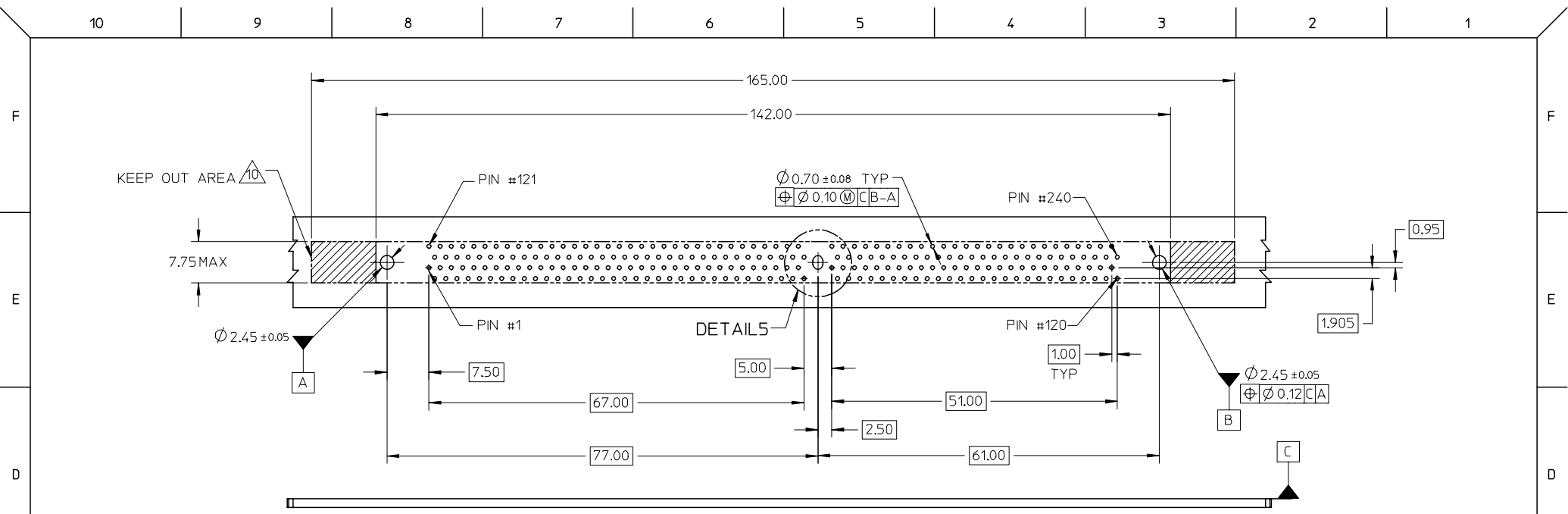
QUALITY SYMBOLS	DESCRIPTION
▽=0	
∇=0	

GENERAL TOLERANCES (UNLESS SPECIFIED)	
mm	INCH
4 PLACES ± ---	± ---
3 PLACES ± ---	± ---
2 PLACES ± 0.2	± ---
1 PLACE ± ---	± ---
ANGULAR ± 1 °	

DIMENSION STYLE	
MM ONLY	
DRAWN BY	DATE
JTAN	2005/10/20
CHECKED BY	DATE
SRRAMESH	2005/12/05
APPROVED BY	DATE
GGLLEE	2005/12/06
MATERIAL NO.	

SCALE	DESIGN UNITS	THIRD ANGLE PROJECTION
NTS	METRIC	
TITLE		
FB DIMM, 1.00MM PITCH		
240 CKTS, VERTICAL T/H		
MOLEX MOLEX INCORPORATED		SHEET NO.
DOCUMENT NO. SD-78061-001		2 OF 5

9 8 7 6 5 4 3 2 1



TRAY DWG ADDED  
 EC NO: S2007-0602  
 DRWN:CMTEO  
 CHKD:SHLENI  
 APPR:GGLLEE

REV	DESCRIPTION
1	QUALITY SYMBOLS
2	QUALITY SYMBOLS

GENERAL TOLERANCES (UNLESS SPECIFIED)	
mm	INCH
4 PLACES ± ---	± ---
3 PLACES ± ---	± ---
2 PLACES ± 0.2	± ---
1 PLACE ± ---	± ---
ANGULAR ± 1 °	

DIMENSION STYLE	
MM ONLY	
DRAWN BY	DATE
JTAN	2005/10/20
CHECKED BY	DATE
SRRAMESH	2005/12/05
APPROVED BY	DATE
GGLLEE	2005/12/06
MATERIAL NO.	
SEE TABLE	

SCALE	DESIGN UNITS	THIRD ANGLE PROJECTION	
NTS	METRIC		
TITLE			
FB DIMM, 1.00MM PITCH 240 CKTS, VERTICAL T/H			
MOLEX INCORPORATED		SHEET NO.	
SD-78061-001		3 OF 5	
THIS DRAWING CONTAINS INFORMATION THAT IS PROPRIETARY TO MOLEX INCORPORATED AND SHOULD NOT BE USED WITHOUT WRITTEN PERMISSION			

10 9 8 7 6 5 4 3 2 1

F

F

E

E

D

D

C

C

B

B

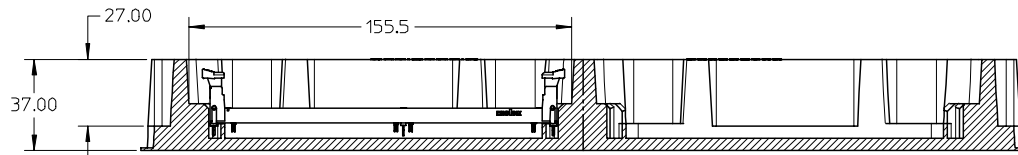
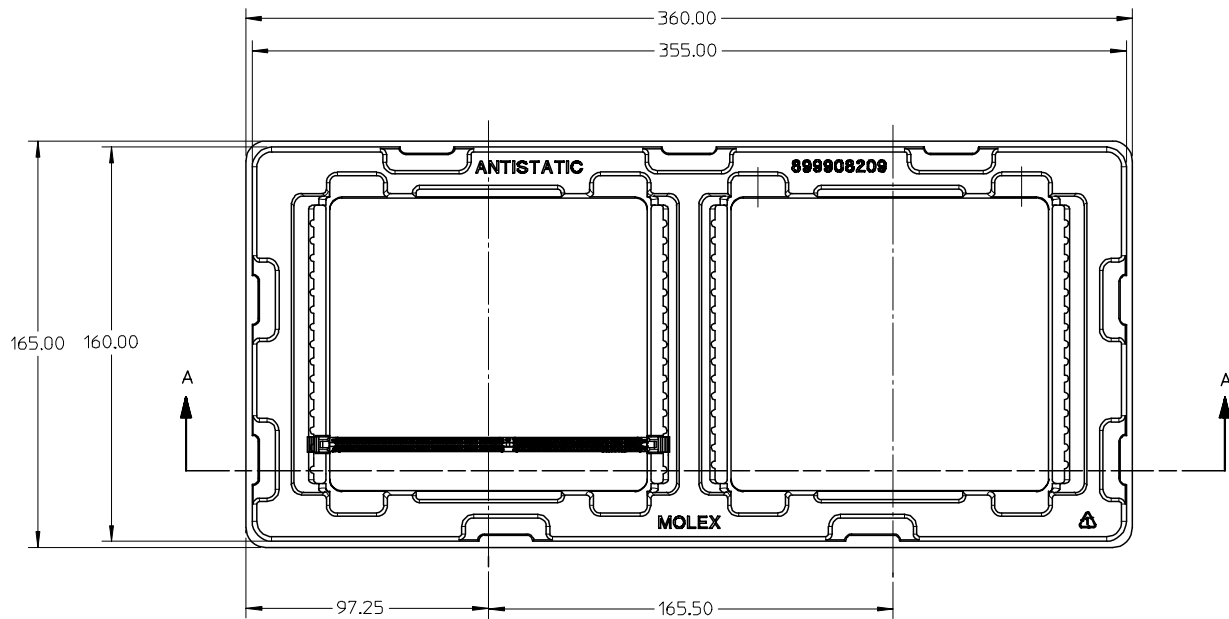
A

A

PART NO.	KEY POS.	DIM 'P'	RECOMMENDED PCB THICKNESS	PLATING OPTION	LATCH COLOUR
78061-0001	CENTER (1.8V)	2.67	1.57	0.38µM/15µIN MIN. GOLD ON CONTACT 2.54µM/100µIN MIN. PURE TIN (MATTE) ON SOLDERTAILS 1.27µM/50µIN MIN. NICKEL UNDERPLATE	NATURAL (OFF WHITE)
78061-0002		3.18	2.36		
78061-0011		2.67	1.57	0.76µM/30µIN MIN. GOLD ON CONTACT 2.54µM/100µIN MIN. PURE TIN (MATTE) ON SOLDERTAILS 1.27µM/50µIN MIN. NICKEL UNDERPLATE	
78061-0012		3.18	2.36		
78061-0051		2.67	1.57	0.38µM/15µIN MIN. GOLD ON CONTACT 2.54µM/100µIN MIN. PURE TIN (MATTE) ON SOLDERTAILS 1.27µM/50µIN MIN. NICKEL UNDERPLATE	BLACK
78061-0052		3.18	2.36		
78061-0061		2.67	1.57	0.76µM/30µIN MIN. GOLD ON CONTACT 2.54µM/100µIN MIN. PURE TIN (MATTE) ON SOLDERTAILS 1.27µM/50µIN MIN. NICKEL UNDERPLATE	
78061-0062		3.18	2.36		

TRAY DWG ADDED EC NO: S2007-0602 DRWN:CMTEO CHKD:SHLENI APPR:GGLLEE	2006/12/26 2006/12/26 2006/12/28	DESCRIPTION REV	QUALITY SYMBOLS	GENERAL TOLERANCES (UNLESS SPECIFIED)	DIMENSION STYLE	SCALE	DESIGN UNITS	THIRD ANGLE PROJECTION
			$\nabla = 0$ $\triangle = 0$	mm    INCH 4 PLACES ± --- ± --- 3 PLACES ± --- ± --- 2 PLACES ± 0.2 ± --- 1 PLACE ± --- ± --- ANGULAR ± 1 °	MM ONLY	NTS	METRIC	FB DIMM, 1.00MM PITCH 240 CKTS, VERTICAL T/H
			DRAWN BY: JTAN CHECKED BY: SRRAMESH APPROVED BY: GGLLEE	DATE: 2005/10/20 DATE: 2005/12/05 DATE: 2005/12/06	TITLE:	MOLEX INCORPORATED		
			MATERIAL NO.	SEE TABLE	DOCUMENT NO. SD-78061-001	SHEET NO. 4 OF 5		

9 8 7 6 5 4 3 2 1



NOTES:  
1. CAVITY QTY: 2 X 15 = 30 PCS

TRAY DWG ADDED	2006/12/26
EC NO: S2007-0602	2006/12/26
DRWN:CMTEO	2006/12/26
CHKD:SHLENI	2006/12/26
APPR:GGLLEE	2006/12/26
REV	DESCRIPTION
A4	

QUALITY SYMBOLS	$\nabla=0$
	$\nabla C=0$

GENERAL TOLERANCES (UNLESS SPECIFIED)	
	mm
4 PLACES	$\pm 0.2$
3 PLACES	$\pm 0.3$
2 PLACES	$\pm 0.4$
1 PLACE	$\pm 0.5$
ANGULAR $\pm 1^\circ$	
DRAFT WHERE APPLICABLE MUST REMAIN WITHIN DIMENSIONS	

DIMENSION STYLE	
MM ONLY	
DRAWN BY	DATE
JTAN	2005/10/20
CHECKED BY	DATE
SRRAMESH	2005/12/05
APPROVED BY	DATE
GGLLEE	2005/12/06
MATERIAL NO.	
SEE TABLE	
SIZE	A3

SCALE	NTS	DESIGN UNITS	METRIC	THIRD ANGLE PROJECTION
TITLE		FB DIMM, 1.00MM PITCH 240 CKTS, VERTICAL T/H		
MOLEX INCORPORATED		MOLEX INCORPORATED		
DOCUMENT NO.		SD-78061-001		SHEET NO. 5 OF 5
THIS DRAWING CONTAINS INFORMATION THAT IS PROPRIETARY TO MOLEX INCORPORATED AND SHOULD NOT BE USED WITHOUT WRITTEN PERMISSION				