



Chipsmall Limited consists of a professional team with an average of over 10 year of expertise in the distribution of electronic components. Based in Hongkong, we have already established firm and mutual-benefit business relationships with customers from,Europe,America and south Asia,supplying obsolete and hard-to-find components to meet their specific needs.

With the principle of “Quality Parts,Customers Priority,Honest Operation,and Considerate Service”,our business mainly focus on the distribution of electronic components. Line cards we deal with include Microchip,ALPS,ROHM,Xilinx,Pulse,ON,Everlight and Freescale. Main products comprise IC,Modules,Potentiometer,IC Socket,Relay,Connector.Our parts cover such applications as commercial,industrial, and automotives areas.

We are looking forward to setting up business relationship with you and hope to provide you with the best service and solution. Let us make a better world for our industry!



Contact us

Tel: +86-755-8981 8866 Fax: +86-755-8427 6832

Email & Skype: info@chipsmall.com Web: www.chipsmall.com

Address: A1208, Overseas Decoration Building, #122 Zhenhua RD., Futian, Shenzhen, China



10 9 8 7 6 5 4 3 2 1

F

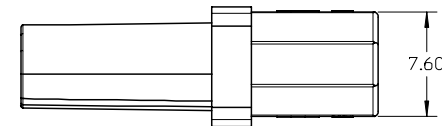
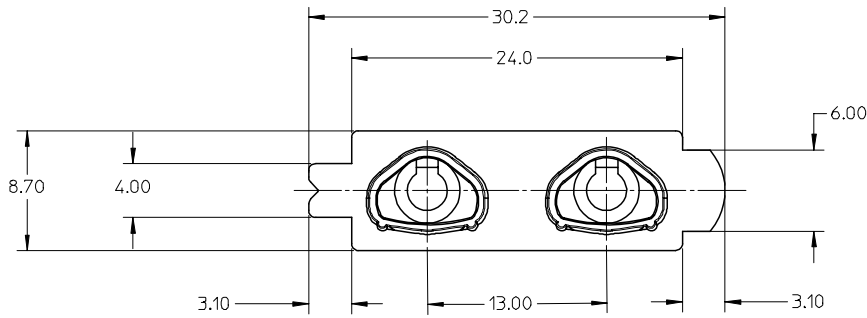
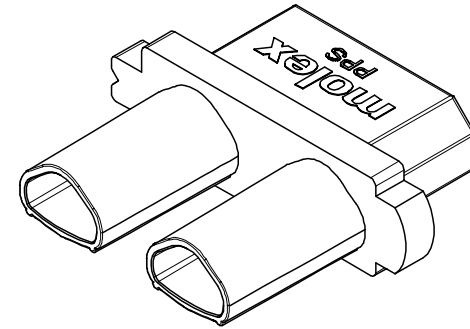
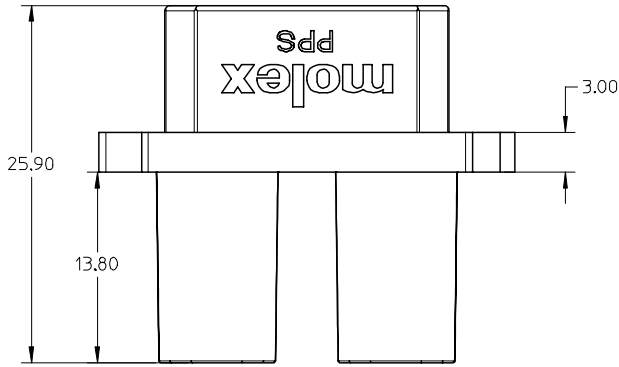
E

D

C

B

A



NOTES:

1. MATERIAL: PPS GLASS FILLED, UL94V-0, COLOR: BLACK
2. MATE WITH 78166 SERIES.
3. TERMINAL TO BE USED : P/N 78036-2001.
4. PACKAGING INFORMATION : BULK PACKAGING IN POLYBAG.
5. PRODUCT SPECIFICATION : PS-78036-001

NEW RELEASE	2007/03/01
EC NO: S2007-0748	2007/03/01
DRWN: BOKOK	2007/03/01
CHKD: CGOH	2007/03/02
APPR: KCLING	

REV	DESCRIPTION
A	

QUALITY SYMBOLS	GENERAL TOLERANCES (UNLESS SPECIFIED)
▽=0	
▽C=0	
	DRAFT WHERE APPLICABLE MUST REMAIN WITHIN DIMENSIONS

DIMENSION STYLE		SCALE	DESIGN UNITS	THIRD ANGLE PROJECTION
MM ONLY		NTS	METRIC	
DRAWN BY	DATE	TITLE	PROJECTOR LAMP CONNECTOR 13MM PITCH, RECEPTACLE HOUSING	
BOKOK	2007/02/26			
CHECKED BY	DATE			
CGOH	2007/03/01		MOLEX INCORPORATED	
APPROVED BY	DATE			
KCLING	2007/03/01		SD-78165-002	
MATERIAL NO.	78165-1001	DOCUMENT NO.		
			1 OF 1	

SIZE		THIS DRAWING CONTAINS INFORMATION THAT IS PROPRIETARY TO MOLEX INCORPORATED AND SHOULD NOT BE USED WITHOUT WRITTEN PERMISSION	
A3			

9 8 7 6 5 4 3 2 1