



Chipsmall Limited consists of a professional team with an average of over 10 year of expertise in the distribution of electronic components. Based in Hongkong, we have already established firm and mutual-benefit business relationships with customers from,Europe,America and south Asia,supplying obsolete and hard-to-find components to meet their specific needs.

With the principle of “Quality Parts,Customers Priority,Honest Operation,and Considerate Service”,our business mainly focus on the distribution of electronic components. Line cards we deal with include Microchip,ALPS,ROHM,Xilinx,Pulse,ON,Everlight and Freescale. Main products comprise IC,Modules,Potentiometer,IC Socket,Relay,Connector.Our parts cover such applications as commercial,industrial, and automotives areas.

We are looking forward to setting up business relationship with you and hope to provide you with the best service and solution. Let us make a better world for our industry!



Contact us

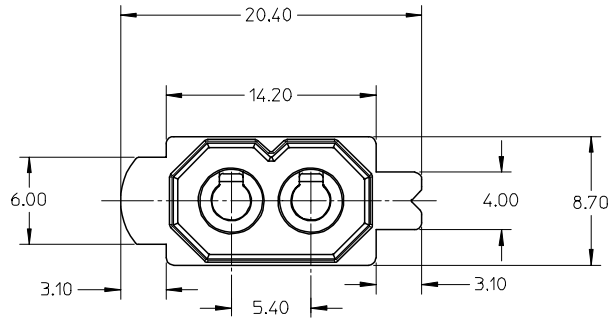
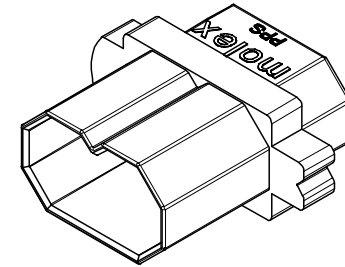
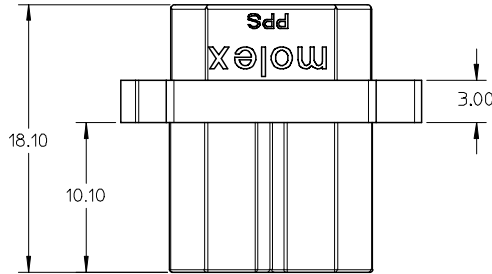
Tel: +86-755-8981 8866 Fax: +86-755-8427 6832

Email & Skype: info@chipsmall.com Web: www.chipsmall.com

Address: A1208, Overseas Decoration Building, #122 Zhenhua RD., Futian, Shenzhen, China



10 9 8 7 6 5 4 3 2 1



NOTES:

1. MATERIAL: PPS GLASS/MINERAL FILLED, UL94V-0, COLOR: BLACK
2. MATE WITH 78196 SERIES.
3. TERMINAL TO BE USED : P/N 78037-2005.
4. PACKAGING INFORMATION : BULK PACKAGING IN POLYBAG.
5. PRODUCT SPECIFICATION ; PS-78196-001

NEW RELEASE	2007/05/09
EC NO: S2007-0942	2007/05/09
DRWN: BOKOK	2007/05/09
CHKD: CGTAN	2007/05/09
APPR: KCLING	2007/05/09
REV	DESCRIPTION
A	

QUALITY SYMBOLS	▽=0
	∇=0

GENERAL TOLERANCES (UNLESS SPECIFIED)	
	mm INCH
4 PLACES	± --- ± ---
3 PLACES	± --- ± ---
2 PLACES	± 0.3 ± ---
1 PLACE	± 0.5 ± ---
ANGULAR ± 3 °	
DRAFT WHERE APPLICABLE MUST REMAIN WITHIN DIMENSIONS	

DIMENSION STYLE	
MM ONLY	
DRAWN BY	DATE
BOKOK	2007/05/02
CHECKED BY	DATE
CGTAN	2007/05/08
APPROVED BY	DATE
KCLING	2007/05/09
MATERIAL NO.	
78197-1001	
SIZE	
A3	

SCALE	DESIGN UNITS	THIRD ANGLE PROJECTION
NTS	METRIC	
TITLE		
PROJECTOR LAMP CONNECTOR 5.4MM PITCH, PLUG HOUSING		
MOLEX INCORPORATED		
DOCUMENT NO.		SHEET NO.
SD-78197-002		1 OF 1
THIS DRAWING CONTAINS INFORMATION THAT IS PROPRIETARY TO MOLEX INCORPORATED AND SHOULD NOT BE USED WITHOUT WRITTEN PERMISSION		

9 8 7 6 5 4 3 2 1