



Chipsmall Limited consists of a professional team with an average of over 10 year of expertise in the distribution of electronic components. Based in Hongkong, we have already established firm and mutual-benefit business relationships with customers from,Europe,America and south Asia,supplying obsolete and hard-to-find components to meet their specific needs.

With the principle of “Quality Parts,Customers Priority,Honest Operation,and Considerate Service”,our business mainly focus on the distribution of electronic components. Line cards we deal with include Microchip,ALPS,ROHM,Xilinx,Pulse,ON,Everlight and Freescale. Main products comprise IC,Modules,Potentiometer,IC Socket,Relay,Connector.Our parts cover such applications as commercial,industrial, and automotives areas.

We are looking forward to setting up business relationship with you and hope to provide you with the best service and solution. Let us make a better world for our industry!



Contact us

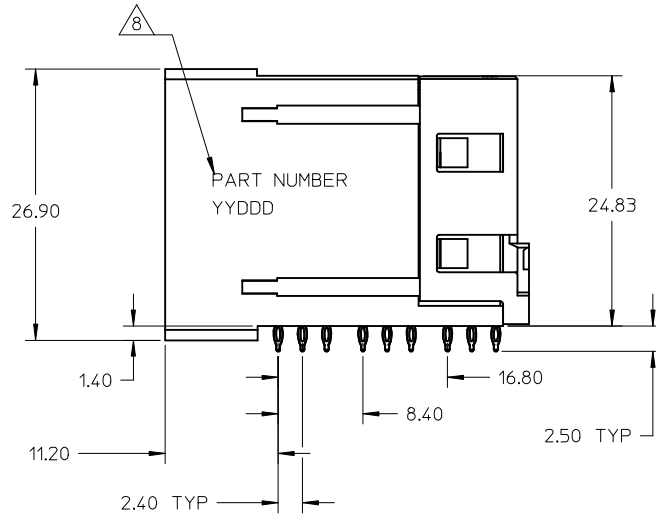
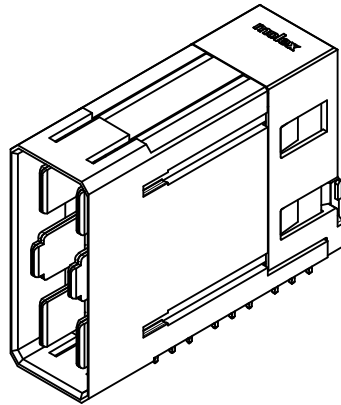
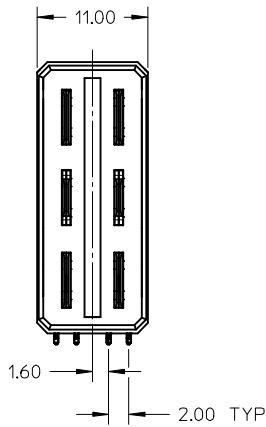
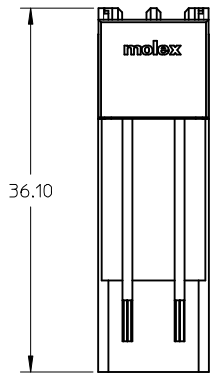
Tel: +86-755-8981 8866 Fax: +86-755-8427 6832

Email & Skype: info@chipsmall.com Web: www.chipsmall.com

Address: A1208, Overseas Decoration Building, #122 Zhenhua RD., Futian, Shenzhen, China

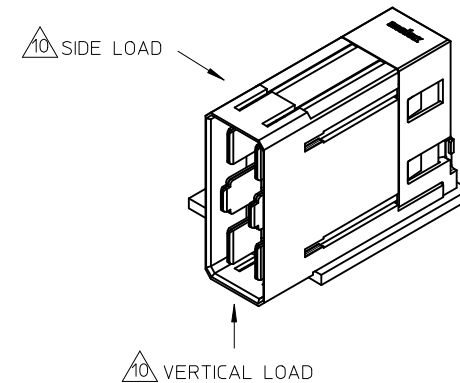


10 9 8 7 6 5 4 3 2 1



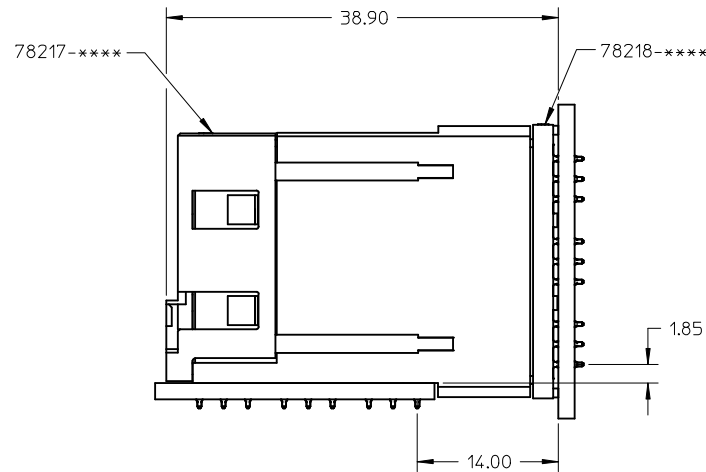
NOTES:

1. MATERIAL:
HOUSING - LCP, GLASS FILLED, UL94-V0, COLOR: BLACK
POWER PIN - COPPER ALLOY
2. FINISH OPTION:
TIN - 0.76µm MINIMUM GOLD AT CONTACT AND
2.54µm MINIMUM TIN AT SOLDER TAIL AREA OVER
1.27µm MINIMUM NICKEL UNDERPLATE OVERALL.
3. PRODUCT SPECIFICATION: PS-78213-001.
4. PACKAGING SPECIFICATION: PK-78217-001.
5. MATES WITH 78218-****.
6. REFER TO SHEET 3 FOR RECOMMENDED PCB LAYOUT.
7. REFER TO MOLEX PRODUCT SPECIFICATION PS-78213-001 FOR PLATED THROUGH-HOLE SPECIFICATIONS.
8. PART NUMBER AND DATE CODE (YYDDD) APPROXIMATELY AS SHOWN.
9. KEEP OUT ZONE FROM OTHER COMPONENTS.
10. CONNECTOR-TO-PCB RETENTION FORCE SHALL WITHSTAND VERTICAL AND SIDE LOAD OF 5.0KGF AND 3.0KGF MAXIMUM RESPECTIVELY. FOR APPLICATION THAT REQUIRES MORE CONNECTOR-TO-PCB RETENTION FORCE, PLEASE CONTACT MOLEX SALES TECHNICAL PERSONNEL FOR RECOMMENDATION.



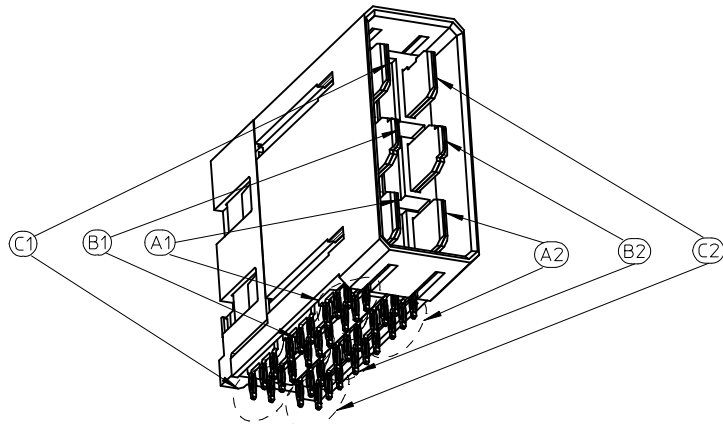
UPDATE PCB EC NO: S2014-0872 DRWN: SHONG CHKD: HICGOH APPR: SILENI 2015/01/16 2015/04/07 2015/04/07	DESCRIPTION B1	QUALITY SYMBOLS	GENERAL TOLERANCES (UNLESS SPECIFIED)	DIMENSION STYLE	SCALE	DESIGN UNITS	THIRD ANGLE PROJECTION
		▼=0 ◻=0	mm INCH 4 PLACES ± --- ± --- 3 PLACES ± --- ± --- 2 PLACES ± 0.25 ± --- 1 PLACE ± --- ± --- ANGULAR ± 3 °	MM ONLY	NTS	METRIC	
			DRAWN BY: ANG DATE: 2009/06/22 CHECKED BY: LNG DATE: 2009/06/22 APPROVED BY: SHONG DATE: 2009/06/23	TITLE	IMPACT POWER, 6 PAIR RIGHT ANGLE HEADER PRESS-FIT		
		DRAFT WHERE APPLICABLE MUST REMAIN WITHIN DIMENSIONS	MATERIAL NO. SEE TABLE	DOCUMENT NO. MOLEX INCORPORATED SD-78217-002	SHEET NO. 1 OF 3		

9 8 7 6 5 4 3 2 1

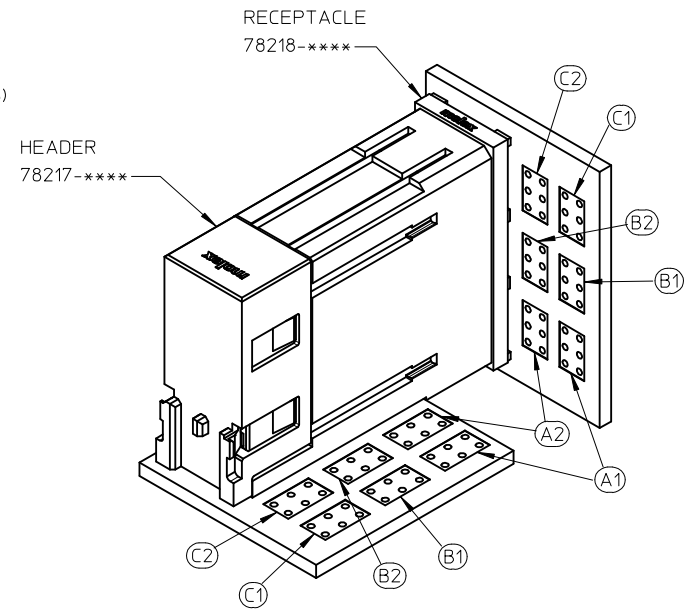


RIGHT ANGLE HEADER (78217) & VERTICAL RECEPTACLE (78218)

MATED SYSTEM WITH 78217



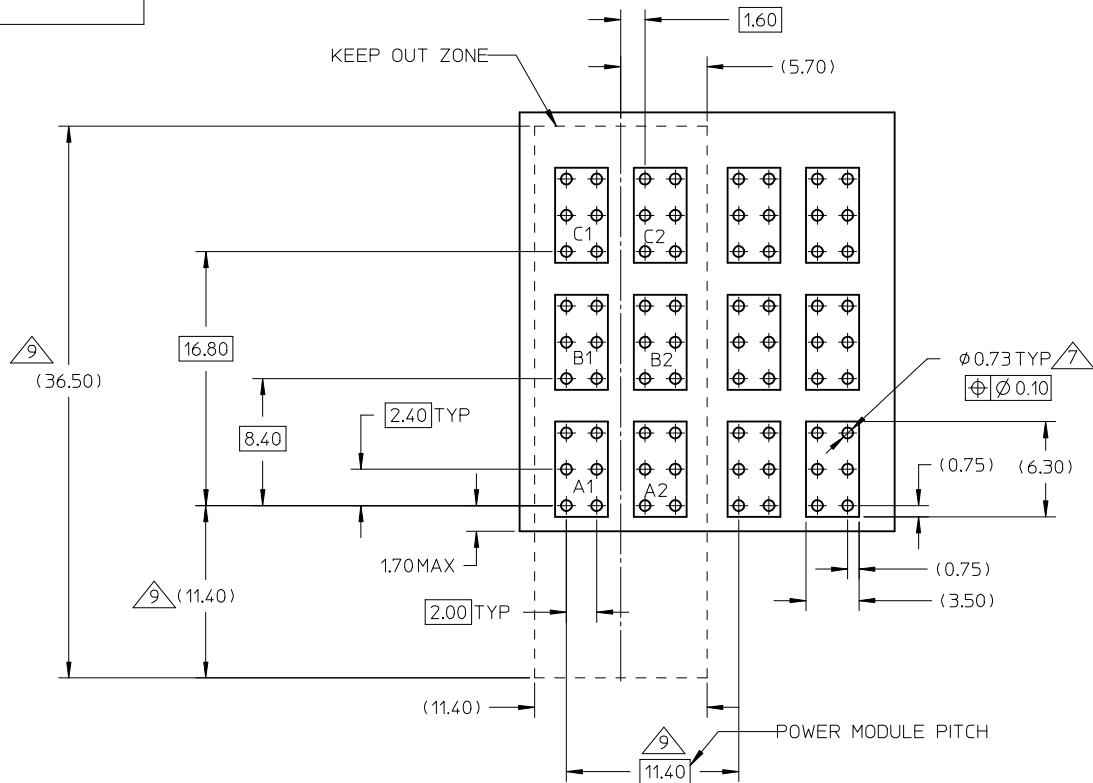
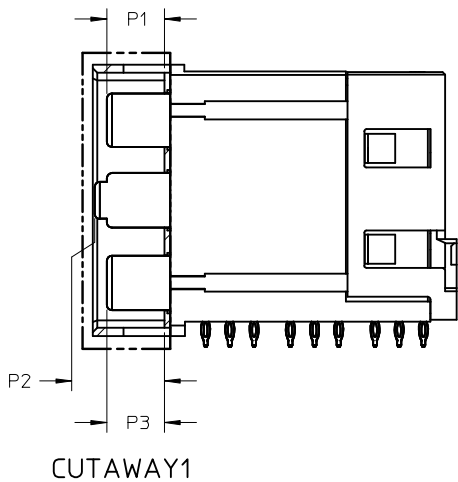
PIN NUMBER ASSIGNMENT BASED ON HEADER SIDE:
 A1, B1 ON THE LEFT
 A2, B2 ON THE RIGHT



CIRCUIT PATH OF MATED SYSTEM

UPDATE PCB EC NO: S2014-0872 DRWN: SHONG 2015/01/16 CHKD: HICGOH 2015/04/07 APPR: SHILENI 2015/04/07	QUALITY SYMBOLS ▽=0 ◻=0	GENERAL TOLERANCES (UNLESS SPECIFIED)	DIMENSION STYLE MM ONLY	SCALE NTS	DESIGN UNITS METRIC	THIRD ANGLE PROJECTION														
		<table border="1"> <thead> <tr> <th></th> <th>mm</th> <th>INCH</th> </tr> </thead> <tbody> <tr> <td>4 PLACES</td> <td>± ---</td> <td>± ---</td> </tr> <tr> <td>3 PLACES</td> <td>± ---</td> <td>± ---</td> </tr> <tr> <td>2 PLACES</td> <td>± 0.25</td> <td>± ---</td> </tr> <tr> <td>1 PLACE</td> <td>± ---</td> <td>± ---</td> </tr> </tbody> </table>		mm	INCH	4 PLACES	± ---	± ---	3 PLACES	± ---	± ---	2 PLACES	± 0.25	± ---	1 PLACE	± ---	± ---	DRAWN BY: ANG DATE: 2009/06/22	TITLE: IMPACT POWER, 6 PAIR RIGHT ANGLE HEADER PRESS-FIT	
		mm	INCH																	
	4 PLACES	± ---	± ---																	
3 PLACES	± ---	± ---																		
2 PLACES	± 0.25	± ---																		
1 PLACE	± ---	± ---																		
	ANGULAR ± 3 °	CHECKED BY: LNG DATE: 2009/06/22	APPROVED BY: SHONG DATE: 2009/06/23	MOLEX INCORPORATED																
B1	DRAFT WHERE APPLICABLE MUST REMAIN WITHIN DIMENSIONS	SEE TABLE	MATERIAL NO.	DOCUMENT NO. SD-78217-002	SHEET NO. 2 OF 3															

10	9	8	7	6	5	4	3	2	1
PART NUMBER	P1 (APPLIES TO C1 & C2)	P2 (APPLIES TO B1 & B2)	P3 (APPLIES TO A1 & A2)	PLATING OPTIONS	PACKAGING				
78217-1011	6.90	6.90	6.90	TIN PLATING	TRAY				
78217-1022	5.70	5.70	6.90						
78217-1055	5.70	5.70	5.70						
78217-1077	5.70	6.90	6.90						



RECOMMENDED PCB LAYOUT
(COMPONENT SIDE SHOWN)
MINIMUM BOARD THICKNESS: 1.60mm

UPDATE PCB EC NO: S2014-0872 DRWN: SHONG 2015/01/16 CHKD: HICGOH 2015/04/07 APPR: SILENI 2015/04/07	QUALITY SYMBOLS ▽=0 ◻=0	GENERAL TOLERANCES (UNLESS SPECIFIED) mm INCH 4 PLACES ± --- ± --- 3 PLACES ± --- ± --- 2 PLACES ± 0.25 ± --- 1 PLACE ± --- ± --- ANGULAR ± 3°	DIMENSION STYLE MM ONLY DRAWN BY: ANG DATE: 2009/06/22 CHECKED BY: LNG DATE: 2009/06/22 APPROVED BY: SHONG DATE: 2009/06/23	SCALE: NTS DESIGN UNITS: METRIC THIRD ANGLE PROJECTION	TITLE: IMPACT POWER, 6 PAIR RIGHT ANGLE HEADER PRESS-FIT MOLEX INCORPORATED		
	DRAFT WHERE APPLICABLE MUST REMAIN WITHIN DIMENSIONS	MATERIAL NO.: SEE TABLE SIZE: A3	DOCUMENT NO.: SD-78217-002 SHEET NO.: 3 OF 3	THIS DRAWING CONTAINS INFORMATION THAT IS PROPRIETARY TO MOLEX INCORPORATED AND SHOULD NOT BE USED WITHOUT WRITTEN PERMISSION			
	B1	REV	DESCRIPTION	MOLEX INCORPORATED			
				MOLEX INCORPORATED			