



Chipsmall Limited consists of a professional team with an average of over 10 year of expertise in the distribution of electronic components. Based in Hongkong, we have already established firm and mutual-benefit business relationships with customers from,Europe,America and south Asia,supplying obsolete and hard-to-find components to meet their specific needs.

With the principle of “Quality Parts,Customers Priority,Honest Operation,and Considerate Service”,our business mainly focus on the distribution of electronic components. Line cards we deal with include Microchip,ALPS,ROHM,Xilinx,Pulse,ON,Everlight and Freescale. Main products comprise IC,Modules,Potentiometer,IC Socket,Relay,Connector.Our parts cover such applications as commercial,industrial, and automotives areas.

We are looking forward to setting up business relationship with you and hope to provide you with the best service and solution. Let us make a better world for our industry!



Contact us

Tel: +86-755-8981 8866 Fax: +86-755-8427 6832

Email & Skype: info@chipsmall.com Web: www.chipsmall.com

Address: A1208, Overseas Decoration Building, #122 Zhenhua RD., Futian, Shenzhen, China



F

F

E

E

D

D

C

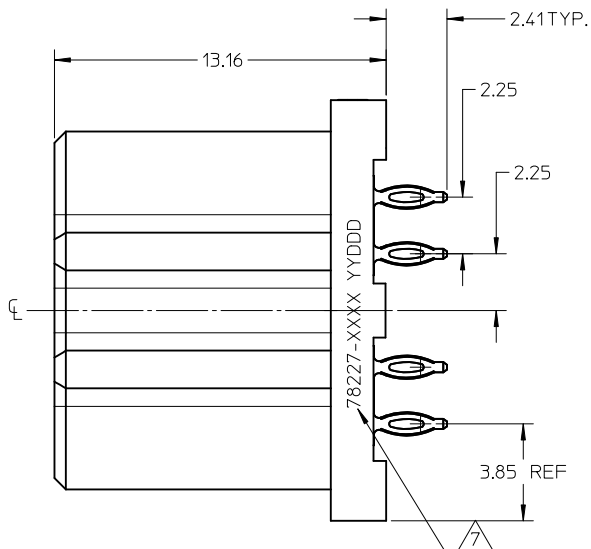
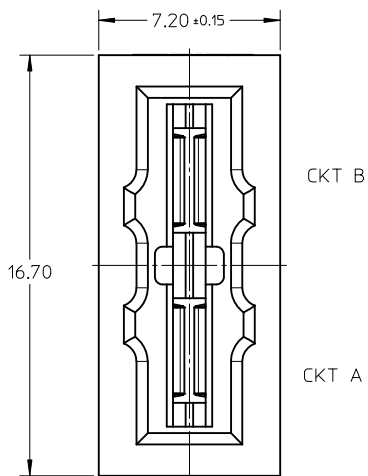
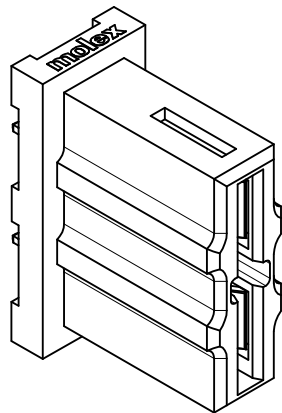
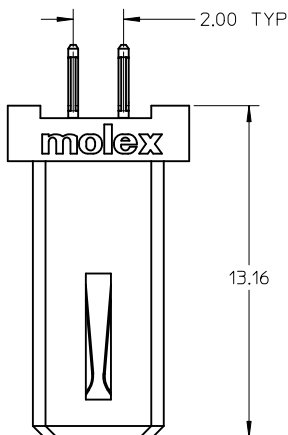
C

B

B

A

A



NOTES:

1. MATERIALS :
 HOUSING - LCP, GLASS FILLED, UL94-V0, COLOR: BLACK.
 POWER PIN - COPPER ALLOY
2. FINISHES :
 0.76 MICROMETER MINIMUM GOLD AT CONTACT AREA AND
 2.54 MICROMETER MINIMUM TIN AT SOLDER TAIL AREA
 OVER 1.27um MINIMUM NICKEL UNDERPLATE.
3. PRODUCT SPECIFICATION: PS-78231-006.



COMPONENT STAY AWAY ZONE FROM CONNECTOR.
 PCB NOTE FOR PLATED HOLE.

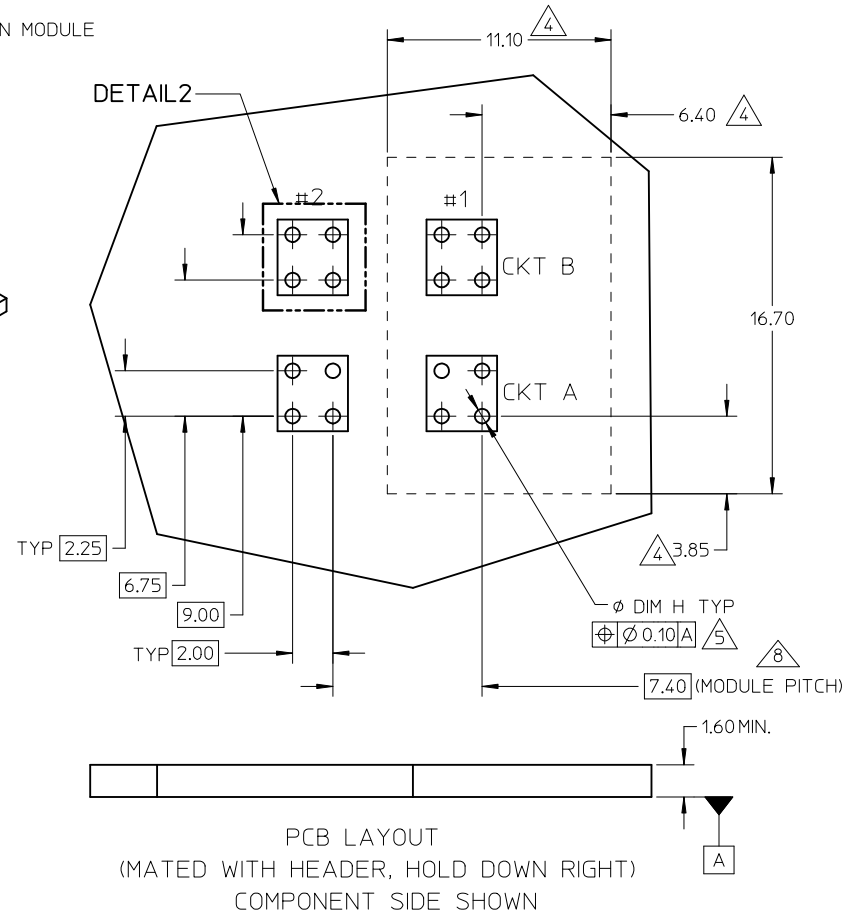
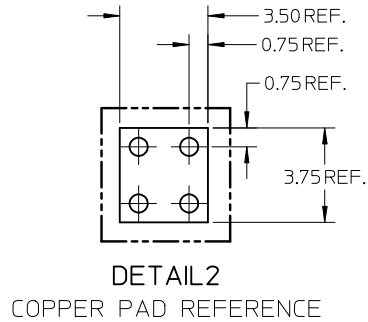
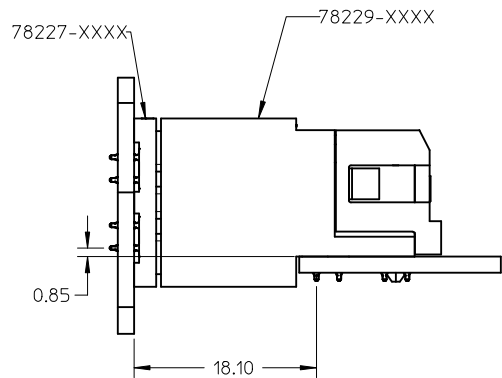
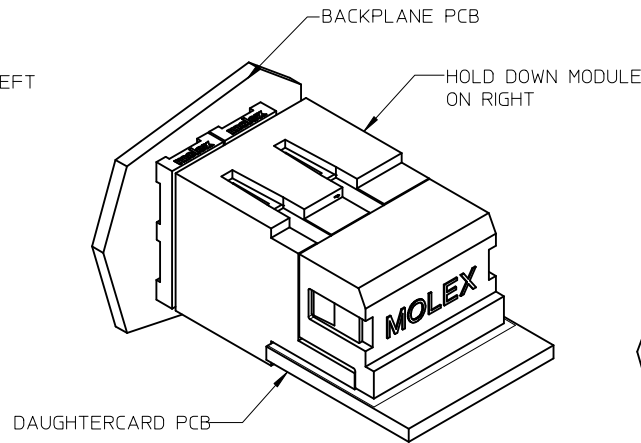
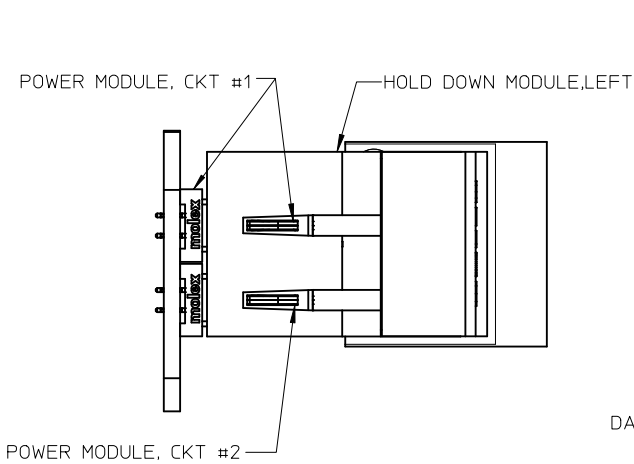
TYPE OF PLATED HOLE	DRILLED HOLE SIZE	PLATING THICKNESS	PLATED HOLE SIZE "ØDIM H"
TIN	0.838	0.007 MIN TIN/SILVER	0.725±0.075
SILVER	0.863	OVER 0.03 TO 0.08 COPPER PLATING	0.750±0.050

SEE SHEET 2 OR SHEET 3 FOR RECOMMENDED PCB LAYOUT.

6. MATES WITH 78229-****.
7. PART NUMBER AND YY-DDD CODE.
8. ADD 7.4MM FOR EACH ADDITIONAL POWER MODULE.
9. PACKAGING PROCEDURE AS PER PK-78227-001.

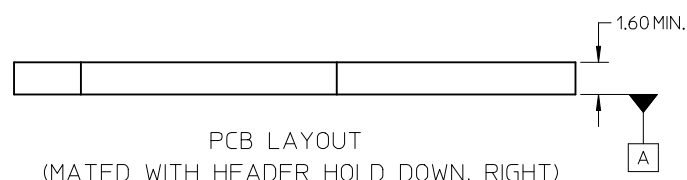
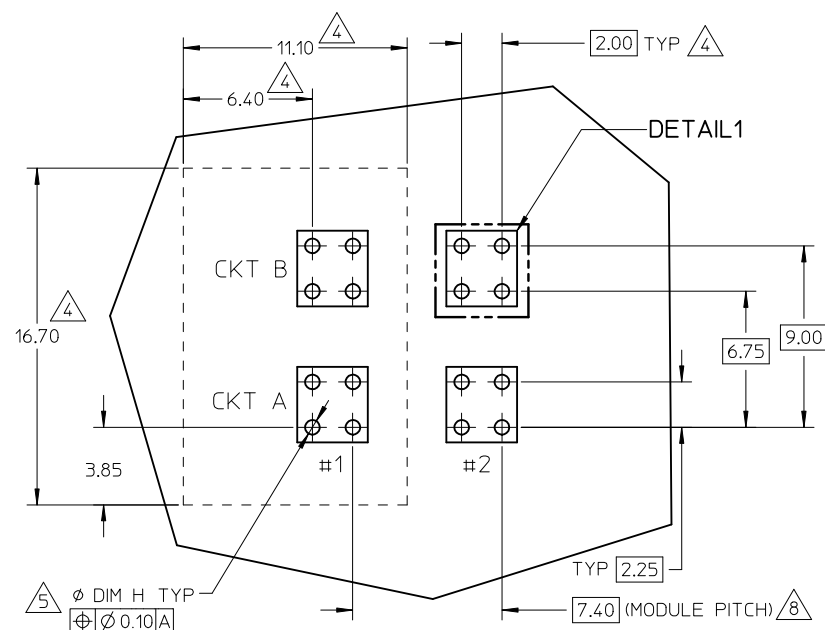
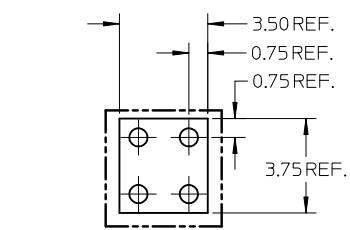
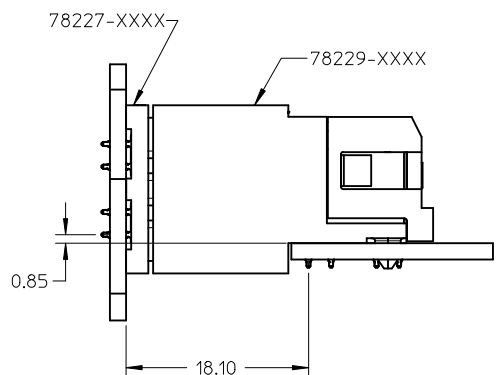
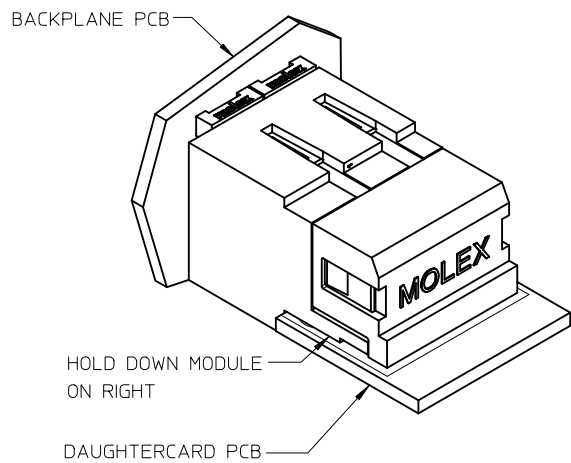
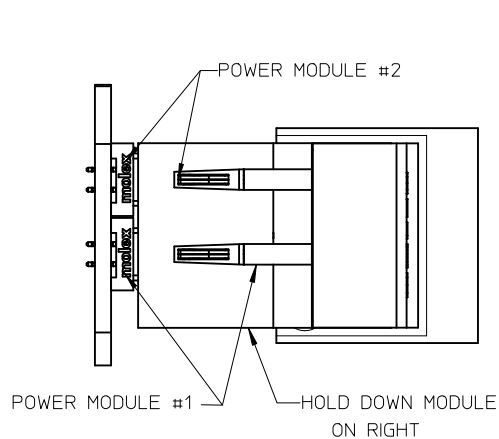
REMOVE PB/SN EC NO: S2012-0580 DRWN: SHONG CHKD: LNG APPR: NAGESHKIN 2012/01/31 2012/02/13 2012/02/13	QUALITY SYMBOLS	GENERAL TOLERANCES (UNLESS SPECIFIED)	DIMENSION STYLE	SCALE	DESIGN UNITS	THIRD ANGLE PROJECTION
	▽=0 □=0	mm INCH 4 PLACES ± --- ± --- 3 PLACES ± --- ± --- 2 PLACES ± 0.25 ± --- 1 PLACE ± --- ± --- ANGULAR ± 3 °	MM ONLY	NTS	METRIC	DRAWN BY: LNG DATE: 2006/08/28 CHECKED BY: NRVITTAPALLI DATE: 2007/01/24 APPROVED BY: NAGESHKIN DATE: 2012/01/06 MATERIAL NO. 782271001
		DRAFT WHERE APPLICABLE MUST REMAIN WITHIN DIMENSIONS				TITLE: I-TRAC POWER, 7 ROW VERTICAL RECEPTACLE PRESS-FIT MOLEX INCORPORATED DOCUMENT NO. SD-78227-011 SHEET NO. 1 OF 3
						THIS DRAWING CONTAINS INFORMATION THAT IS PROPRIETARY TO MOLEX INCORPORATED AND SHOULD NOT BE USED WITHOUT WRITTEN PERMISSION

MATED DIMENSIONS AND PCB LAYOUT WITH HEADER HOLD DOWN LEFT



REMOVE PB/SN EC NO: S2012-0580 DRWN: SHONG CHKD: LNG APPR: NAGESHK N 2012/01/31 2012/02/13 2012/02/13	DESCRIPTION DESCRIPTION DESCRIPTION	QUALITY SYMBOLS ▽=0 ◻=0		GENERAL TOLERANCES (UNLESS SPECIFIED)		DIMENSION STYLE MM ONLY		SCALE NTS		DESIGN UNITS METRIC		THIRD ANGLE PROJECTION		
				mm	INCH	DRAWN BY	DATE	TITLE						
				4 PLACES	± ---	± ---	LNG	2006/08/28	I-TRAC POWER, 7 ROW VERTICAL RECEPTACLE PRESS-FIT					
				3 PLACES	± ---	± ---	CHECKED BY	DATE	MOLEX INCORPORATED					
		2 PLACES	± 0.25	± ---	NRVITTPALLI	2007/01/24	MATERIAL NO. 782271001							
		1 PLACE	± ---	± ---	APPROVED BY	DATE	DOCUMENT NO. SD-78227-011							
		ANGULAR ± 3 °		DRAFT WHERE APPLICABLE MUST REMAIN WITHIN DIMENSIONS		SIZE A3		THIS DRAWING CONTAINS INFORMATION THAT IS PROPRIETARY TO MOLEX INCORPORATED AND SHOULD NOT BE USED WITHOUT WRITTEN PERMISSION						
										SHEET NO. 2 OF 3				

MATED DIMENSIONS AND PCB LAYOUT WITH HEADER HOLD DOWN RIGHT



REMOVE PB/SN EC NO: S2012-0580 DRWN: SHONG CHKD: LNG APPR: NAGESHKN 2012/01/31 2012/02/13 2012/02/13	DESCRIPTION DESCRIPTION	QUALITY SYMBOLS		GENERAL TOLERANCES (UNLESS SPECIFIED) mm INCH 4 PLACES ± --- ± --- 3 PLACES ± --- ± --- 2 PLACES ± 0.25 ± --- 1 PLACE ± --- ± --- ANGULAR ± 3 °	DIMENSION STYLE		SCALE		DESIGN UNITS		THIRD ANGLE PROJECTION			
					MM ONLY		NTS		METRIC					
					DRAWN BY		DATE		TITLE					
					LNG		2006/08/28		I-TRAC POWER, 7 ROW VERTICAL RECEPTACLE PRESS-FIT					
		CHECKED BY		DATE		MATERIAL NO.		DOCUMENT NO.		SHEET NO.				
		NRVITTPALLI		2007/01/24		782271001		SD-78227-011		3 OF 3				
		APPROVED BY		DATE		THIS DRAWING CONTAINS INFORMATION THAT IS PROPRIETARY TO MOLEX INCORPORATED AND SHOULD NOT BE USED WITHOUT WRITTEN PERMISSION								
		NAGESHKN		2012/01/06										
		DRAFT WHERE APPLICABLE MUST REMAIN WITHIN DIMENSIONS		SIZE										
				A3										