



Chipsmall Limited consists of a professional team with an average of over 10 year of expertise in the distribution of electronic components. Based in Hongkong, we have already established firm and mutual-benefit business relationships with customers from,Europe,America and south Asia,supplying obsolete and hard-to-find components to meet their specific needs.

With the principle of "Quality Parts,Customers Priority,Honest Operation,and Considerate Service",our business mainly focus on the distribution of electronic components. Line cards we deal with include Microchip,ALPS,ROHM,Xilinx,Pulse,ON,Everlight and Freescale. Main products comprise IC,Modules,Potentiometer,IC Socket,Relay,Connector.Our parts cover such applications as commercial,industrial, and automotives areas.

We are looking forward to setting up business relationship with you and hope to provide you with the best service and solution. Let us make a better world for our industry!



## Contact us

Tel: +86-755-8981 8866 Fax: +86-755-8427 6832

Email & Skype: info@chipsmall.com Web: www.chipsmall.com

Address: A1208, Overseas Decoration Building, #122 Zhenhua RD., Futian, Shenzhen, China



TABLE 1 : UNITIZED CONNECTOR WITH HOLD DOWN MODULE

PART NUMBER	NUMBER OF POWER MODULES	*DIM A*	PLATING OPTION	HOLD DOWN MODULE LOCATION
78229-100*	1X	10.90	TIN	LEFT (REFER TO SHEET 2 FOR DETAILS)
78229-10**	2X	18.30		RIGHT (REFER TO SHEET 3 FOR DETAILS)
78229-200*	1X	10.90		
78229-20**	2X	18.30		

PART NUMBER LEGEND: 78229-\*0\*\*

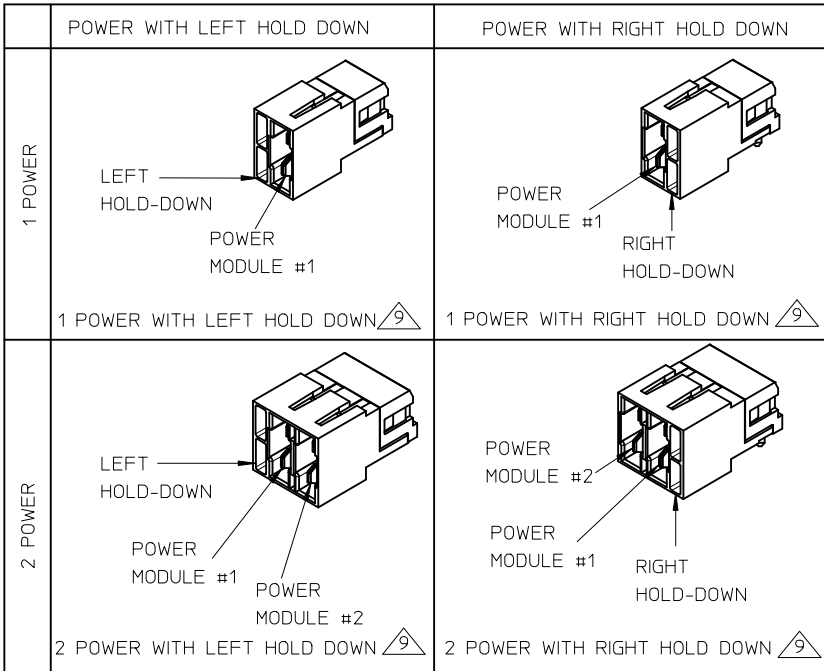
PLATING OPTION	HOLD DOWN MODULE LOCATION	*	POWER MODULE 2		POWER MODULE 1					
			BLADE LENGTH		BLADE LENGTH					
TIN	LEFT	1	P1	P2	1	8.27	8.27			
			MODULE NOT PRESENT					2	8.27	9.77
			0	8.27						
	RIGHT	2	8.27	9.77	3	6.77	9.77			

NOTES

- MATERIALS :  
HOUSING - HIGH TEMP. THERMOPLASTIC, GLASS FILLED, UL94-V0,COLOR:BLACK.  
POWER PIN - COPPER ALLOY
- FINISHES :  
POWER CONTACTS  
0.76µm MINIMUM GOLD AT CONTACT AREA AND  
2.54µm MINIMUM TIN AT SOLDER TAIL AREA OVER  
1.27µm MINIMUM NICKEL UNDERPLATE.
- PRODUCT SPECIFICATION: PS-78231-006.
- COMPONENT STAY AWAY ZONE FROM CONNECTOR.
- PCB NOTE FOR PLATED HOLE.

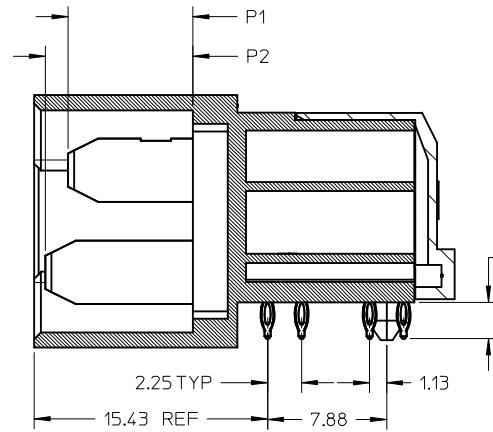
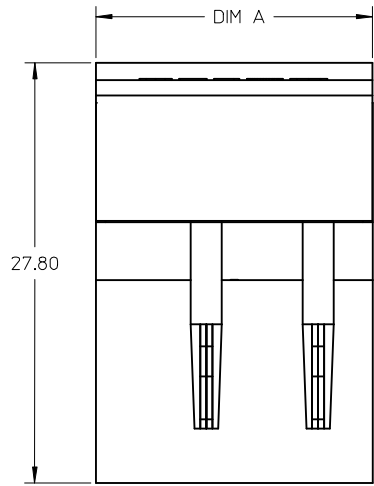
TYPE OF PLATED HOLE	DRILLED HOLE SIZE	PLATING THICKNESS	PLATED HOLE SIZE *ØDIM H*
TIN/TIN-LEAD	0.838	0.007 MIN TIN/TIN-LEAD/SILVER	0.725±0.075
SILVER	0.863	OVER 0.03 TO 0.08 COPPER PLATING	0.750±0.050

- MATES WITH 78227-1\*\*\* and 78230-\*\*\*\*.
- PART NUMBER AND YEAR-DAY CODE CAN BE ON EITHER SIDE OF WALL.
- ADD 7.40mm FOR EACH ADDITIONAL MODULE.
- THE DETAILS FOR LEFT HOLD DOWN OPTION SHOWN ON SHEET 2 AND RIGHT HOLD DOWN OPTION SHOWN ON SHEET 3.
- CONNECTORS ARE PACKED IN A TRAY.
- MODULE LOCATION IS FROM NEXT TO HOLD DOWN MODULE WITH STARTING MODULE AS \*#1\*.
- BOTTOM AND TOP CIRCUITS ARE INDICATED AS \*CKT A\* AND \*CKT B\*.
- ALL PARTS ARE SHIPPED WITH A 2-32 TYPE AB SELF-TAPPING SCREW PART NUMBER 73726-0005.
- PACKAGING PROCEDURE AS PER PK-78229-001.

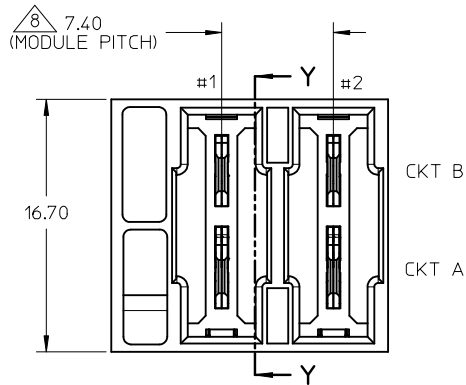
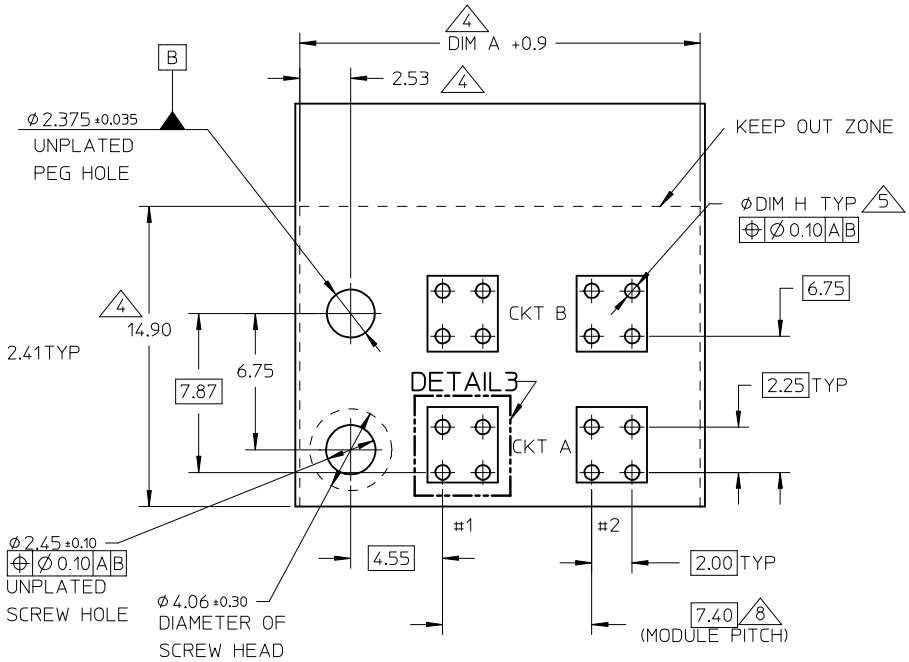


INITIAL RELEASE EC NO: S2012-0455 DRWN: SHONG CHKD: LNG APPR: NAGESHKN 2011/12/02 2011/12/27 2012/01/17	DESCRIPTION QUALITY SYMBOLS ▽=0 ◻=0	GENERAL TOLERANCES (UNLESS SPECIFIED)		DIMENSION STYLE MM ONLY		SCALE NTS	DESIGN UNITS METRIC	THIRD ANGLE PROJECTION																		
		<table border="1"> <tr><th></th><th>mm</th><th>INCH</th></tr> <tr><td>4 PLACES</td><td>± ---</td><td>± ---</td></tr> <tr><td>3 PLACES</td><td>± ---</td><td>± ---</td></tr> <tr><td>2 PLACES</td><td>± 0.25</td><td>± ---</td></tr> <tr><td>1 PLACE</td><td>± ---</td><td>± ---</td></tr> </table>			mm	INCH	4 PLACES	± ---	± ---	3 PLACES	± ---	± ---	2 PLACES	± 0.25	± ---	1 PLACE	± ---	± ---	DRAWN BY LKCHEW		DATE 2011/11/04		TITLE I-TRAC POWER ,7 ROW HEADER WITH HOLD DOWN PRESS FIT, R/A			
			mm	INCH																						
		4 PLACES	± ---	± ---																						
3 PLACES	± ---	± ---																								
2 PLACES	± 0.25	± ---																								
1 PLACE	± ---	± ---																								
ANGULAR ± 3 °		CHECKED BY LNG		DATE 2011/11/29		MOLEX INCORPORATED																				
DRAFT WHERE APPLICABLE MUST REMAIN WITHIN DIMENSIONS		SEE TABLE		MATERIAL NO.		DOCUMENT NO. SD-78229-003		SHEET NO. 1 OF 3																		

LEFT HOLD DOWN OPTION

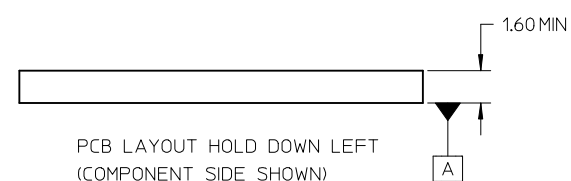
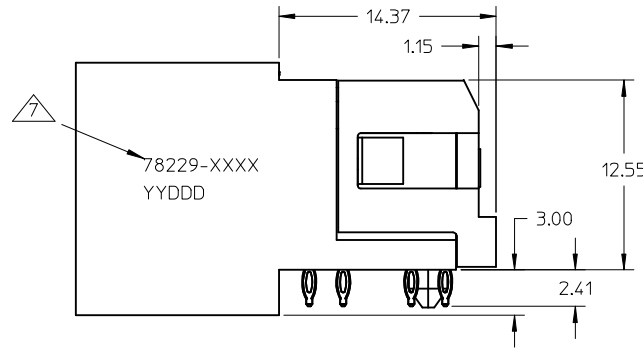


SECTION Y-Y



DETAIL 3

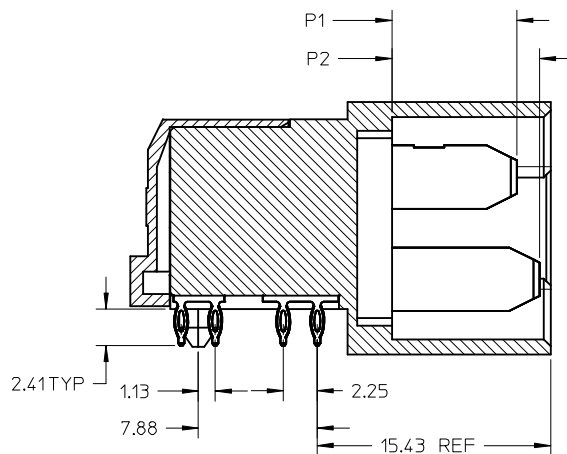
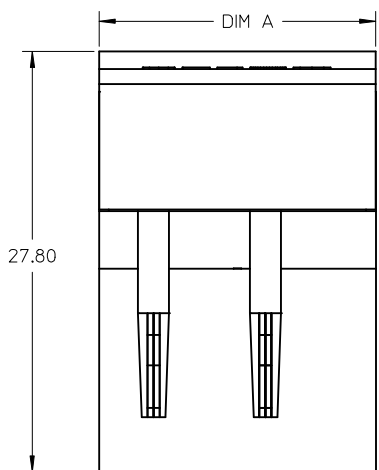
COPPER PAD REFERENCE



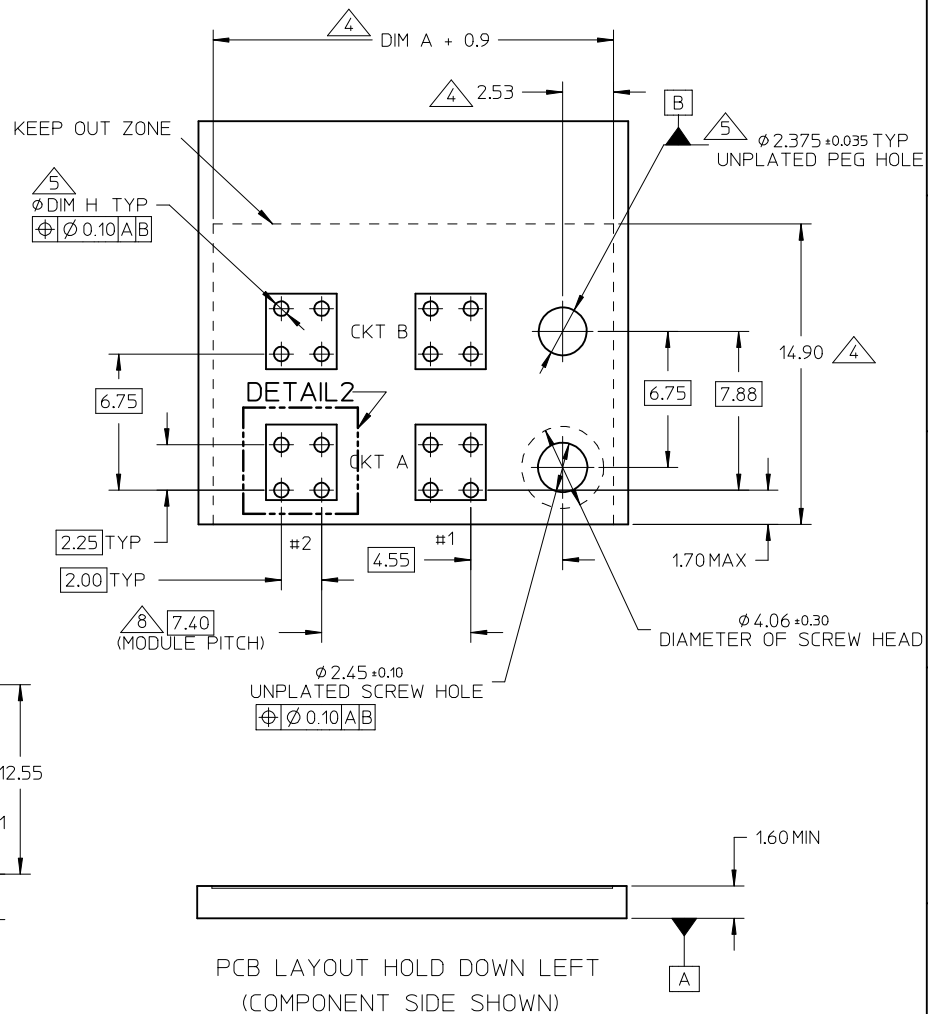
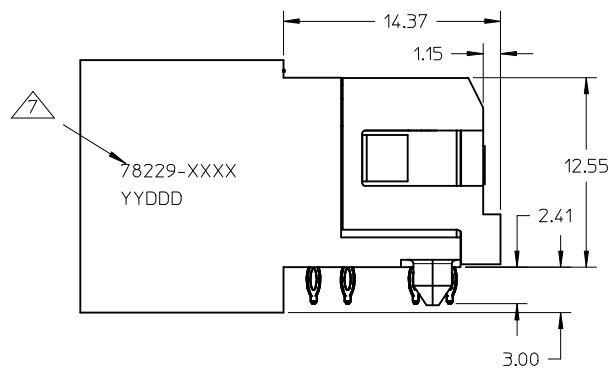
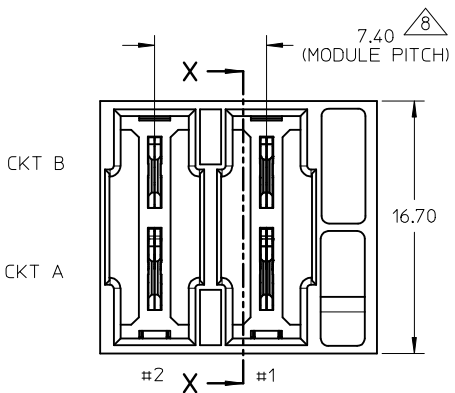
PCB LAYOUT HOLD DOWN LEFT  
(COMPONENT SIDE SHOWN)

INITIAL RELEASE EC NO: S2012-0455 DRWN: SHONG CHKD: LNG APPR: NAGESHKN 2011/12/02 2011/12/27 2012/01/17	QUALITY SYMBOLS ▽=0 ◻=0	GENERAL TOLERANCES (UNLESS SPECIFIED)		DIMENSION STYLE <b>MM ONLY</b>	SCALE NTS	DESIGN UNITS METRIC	THIRD ANGLE PROJECTION	
		4 PLACES ± --- ± ---	3 PLACES ± --- ± ---	DRAWN BY LKCHEW	DATE 2011/11/04	TITLE I-TRAC POWER ,7 ROW HEADER WITH HOLD DOWN PRESS FIT, R/A		
		2 PLACES ± 0.25 ± ---	1 PLACE ± --- ± ---	CHECKED BY LNG	DATE 2011/11/29	MOLEX INCORPORATED		
		ANGULAR ± 3 °		APPROVED BY SACHIN		MATERIAL NO. SEE TABLE	DOCUMENT NO. SD-78229-003	SHEET NO. 2 OF 3
DRAFT WHERE APPLICABLE MUST REMAIN WITHIN DIMENSIONS		THIS DRAWING CONTAINS INFORMATION THAT IS PROPRIETARY TO MOLEX INCORPORATED AND SHOULD NOT BE USED WITHOUT WRITTEN PERMISSION						

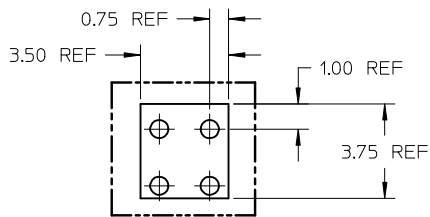
RIGHT HOLD DOWN OPTION



SECTION X-X



PCB LAYOUT HOLD DOWN LEFT  
(COMPONENT SIDE SHOWN)



DETAIL 2  
COPPER PAD REFERENCE

INITIAL RELEASE EC NO: S2012-0455 DRWN: SHONG CHKD: LNG APPR: NAGESHKIN	2011/12/02	QUALITY SYMBOLS ▽=0 ◻=0	GENERAL TOLERANCES (UNLESS SPECIFIED)		DIMENSION STYLE	SCALE	DESIGN UNITS	THIRD ANGLE PROJECTION
	2011/12/27		mm	INCH	MM ONLY	NTS	METRIC	⊙ □
REV	DESCRIPTION		4 PLACES	± ---	± ---	DRAWN BY	DATE	TITLE
B			3 PLACES	± ---	± ---	LKCHEW	2011/11/04	I-TRAC POWER ,7 ROW HEADER WITH HOLD DOWN PRESS FIT, R/A
			2 PLACES	± 0.25	± ---	CHECKED BY	DATE	
			1 PLACE	± ---	± ---	LNG		MOLEX INCORPORATED
			ANGULAR ± 3 °		APPROVED BY	DATE		
			DRAFT WHERE APPLICABLE MUST REMAIN WITHIN DIMENSIONS		MOLEX	2011/11/29		MOLEX INCORPORATED
					MATERIAL NO.			DOCUMENT NO.
					SIZE	THIS DRAWING CONTAINS INFORMATION THAT IS PROPRIETARY TO MOLEX INCORPORATED AND SHOULD NOT BE USED WITHOUT WRITTEN PERMISSION		SHEET NO.
					A3			3 OF 3