



Chipsmall Limited consists of a professional team with an average of over 10 year of expertise in the distribution of electronic components. Based in Hongkong, we have already established firm and mutual-benefit business relationships with customers from,Europe,America and south Asia,supplying obsolete and hard-to-find components to meet their specific needs.

With the principle of “Quality Parts,Customers Priority,Honest Operation,and Considerate Service”,our business mainly focus on the distribution of electronic components. Line cards we deal with include Microchip,ALPS,ROHM,Xilinx,Pulse,ON,Everlight and Freescale. Main products comprise IC,Modules,Potentiometer,IC Socket,Relay,Connector.Our parts cover such applications as commercial,industrial, and automotives areas.

We are looking forward to setting up business relationship with you and hope to provide you with the best service and solution. Let us make a better world for our industry!



## Contact us

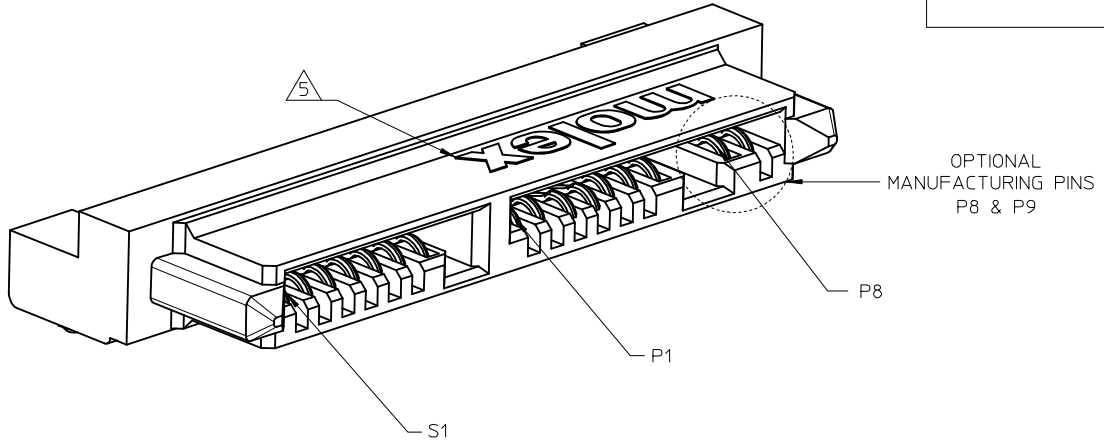
Tel: +86-755-8981 8866 Fax: +86-755-8427 6832

Email & Skype: info@chipsmall.com Web: www.chipsmall.com

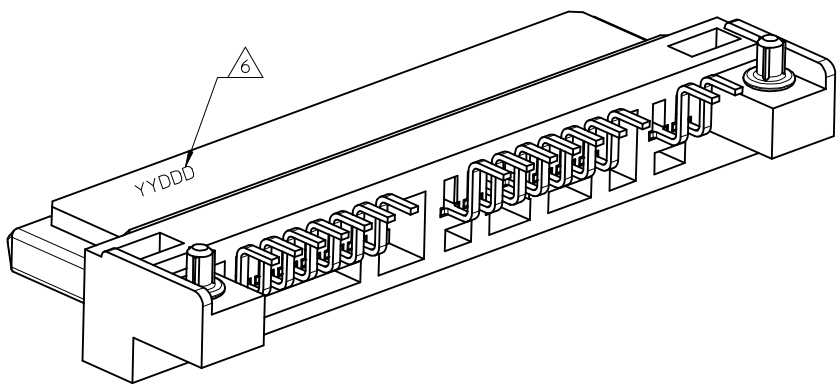
Address: A1208, Overseas Decoration Building, #122 Zhenhua RD., Futian, Shenzhen, China



PART NUMBER	TOTAL PINS	DESCRIPTION
78320-0001	16	WITH OPTIONAL MANUFACTURING PINS (S1 TO S7 & P1 TO P9)
78320-1001	14	WITHOUT OPTIONAL MANUFACTURING PINS (S1 TO S7 & P1 TO P7)



- NOTES:
- MATERIAL : NYLON (PA), GLASS FILLED, UL 94V-0, BLACK  
TERMINAL/LOCATING PIN : COPPER ALLOY
  - FINISHES :  
TERMINAL : 0.76µm MIN. SELECTIVE GOLD OVER  
1.27µm MIN. NICKEL UNDERPLATE  
: 2.54µm MIN. TIN OVER  
1.27µm MIN. NICKEL UNDERPLATE  
LOCATING PIN : 3.81µm MIN. TIN OVER  
2.00µm MIN. NICKEL UNDERPLATE
  - PRODUCT SPECIFICATION: PS-78320-002
  - PACKAGING : TRAY
  - MOLEX LOGO LOCATED APPROXIMATELY AS SHOWN
  - DATE CODE LOCATED APPROXIMATELY AS SHOWN
  - THIS PRODUCT IS COMPLIANT TO RoHS DIRECTIVE WITH THE FOLLOWING BANNED SUBSTANCES - LEAD, MERCURY, CADMIUM, HEXAVALENT CHROMIUM, POLYBROMINATED BIPHENYLS AND POLYBROMINATED DIPHENYLS ETHERS.
  - NON FUNCTIONAL CORING MAY VARY.



SEE SHEET 2 & 3 IEC NO: S2017-0025 DRWNS:SKANG 2016/07/14 CH'KD:MLONG 2016/07/15 APPR:MLONG 2016/07/15	QUALITY SYMBOLS	GENERAL TOLERANCES (UNLESS SPECIFIED)		DIMENSION STYLE MM ONLY		SCALE NTS	DESIGN UNITS METRIC	THIRD ANGLE PROJECTION		
	$\nabla_F = 0$ $\nabla_{F_2} = 0$ $\nabla_{F_3} = 0$	4 PLACES	mm	INCH	DRAWN BY	DATE	TITLE			
		3 PLACES	± ---	± ---	GMENARLY	2007/08/23	SERIAL ATA RECEPTACLE			
		2 PLACES	± 0.20	± ---	CHECKED BY	DATE	1.8 INCH HDD/SSD			
	1 PLACE	± ---	± ---	YKOH	2007/10/04	R/A, SMT, 3.80MM HEIGHT				
	0 PLACE	±	±	APPROVED BY	DATE					
	ANGULAR ± 3 °		MATERIAL NO.		2010/01/26					DOCUMENT NO.
A4	REV	DRAFT WHERE APPLICABLE MUST REMAIN WITHIN DIMENSIONS		SEE TABLE		SD-78320-001		1 OF 5		
				SIZE A3		THIS DRAWING CONTAINS INFORMATION THAT IS PROPRIETARY TO MOLEX INCORPORATED AND SHOULD NOT BE USED WITHOUT WRITTEN PERMISSION				

F

E

D

C

B

A

F

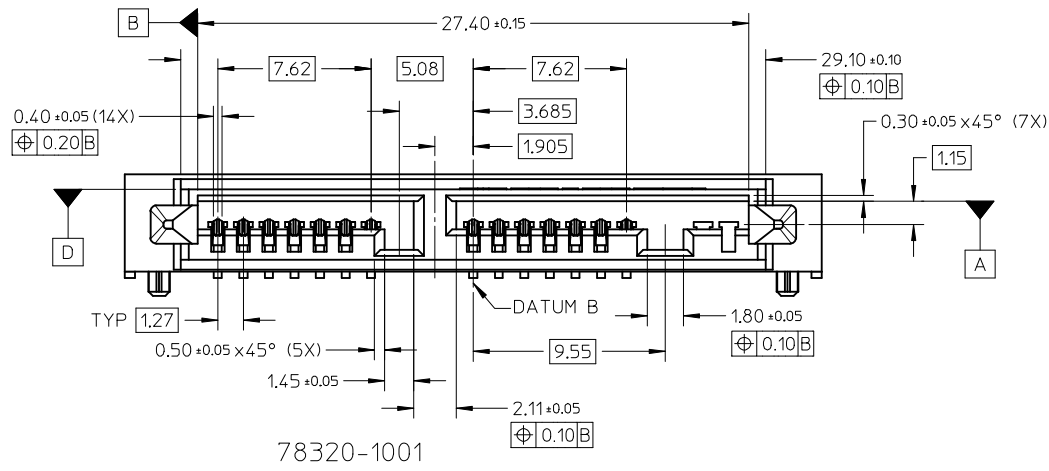
E

D

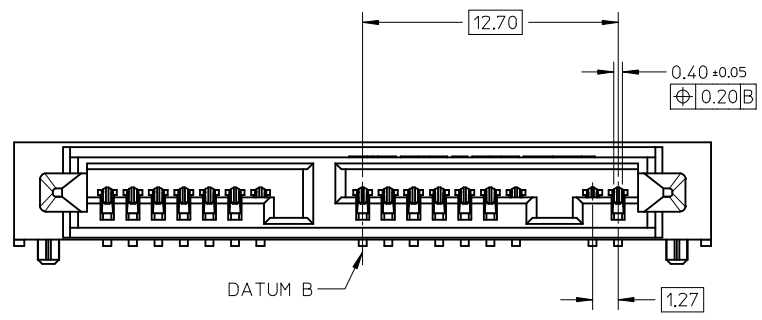
C

B

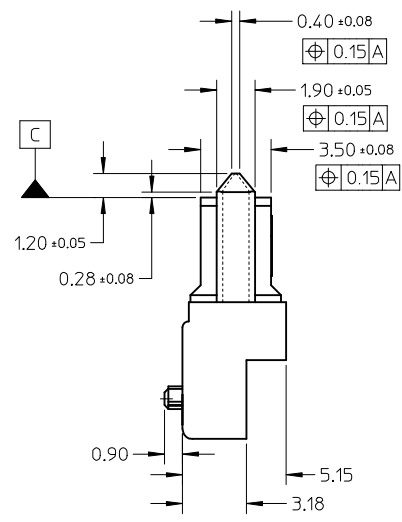
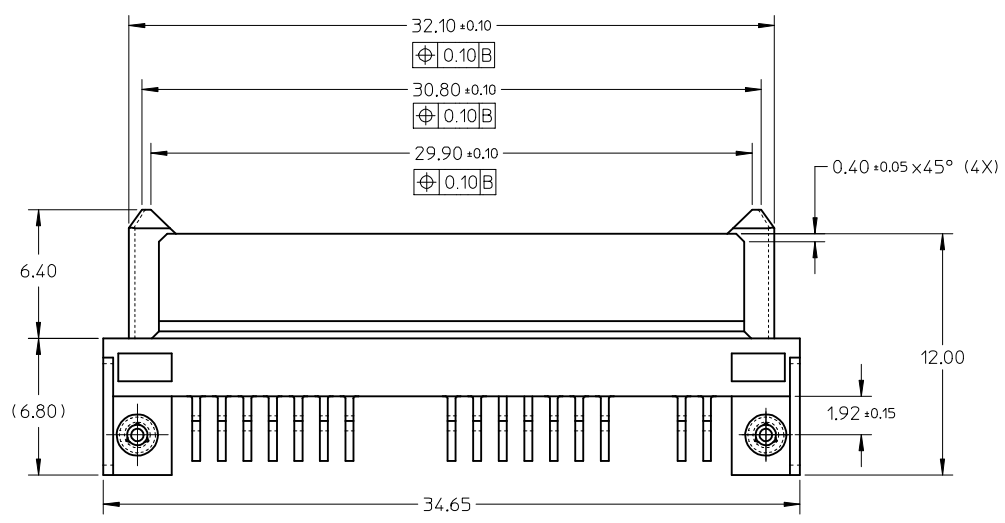
A



78320-1001

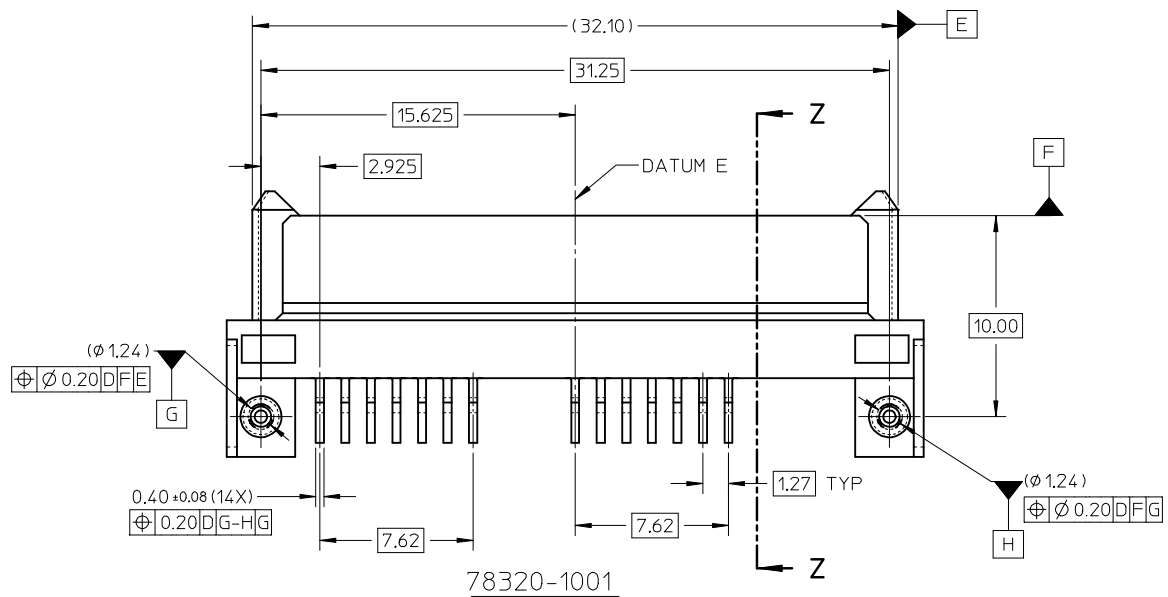


78320-0001

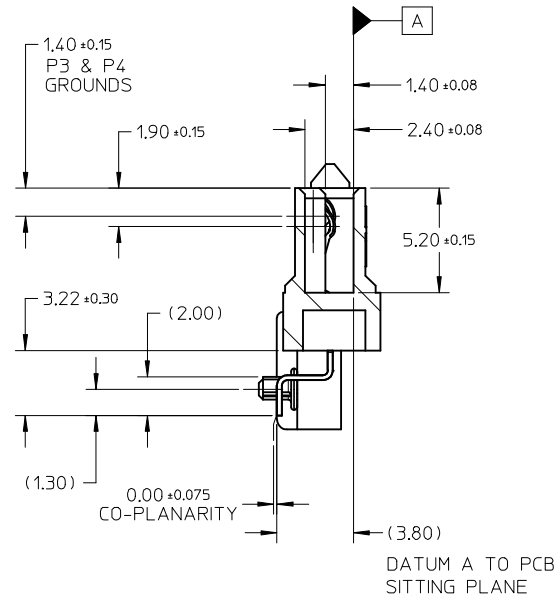


ADD DIM [C10] & [B10] EC NO: S2017-0025 DRWN:SKANG 2016/07/14 CHYK:MLONG 2016/07/15 APPR:MLONG 2016/07/15	QUALITY SYMBOLS $F_A=0$ $F_C=0$ $F_P=0$	GENERAL TOLERANCES (UNLESS SPECIFIED)		DIMENSION STYLE MM ONLY		SCALE NTS	DESIGN UNITS METRIC	THIRD ANGLE PROJECTION		
			mm	INCH	DRAWN BY GMENARLY	DATE 2007/08/23	TITLE SERIAL ATA RECEPTACLE			
		4 PLACES	± ---	± ---	CHECKED BY YKOH	DATE 2007/10/04	1.8 INCH HDD/SSD			
		3 PLACES	± ---	± ---	APPROVED BY BOKOK	DATE 2010/01/26	R/A, SMT, 3.80MM HEIGHT			
	ANGULAR ± 3 °		DRAFT WHERE APPLICABLE MUST REMAIN WITHIN DIMENSIONS		MATERIAL NO. SEE TABLE		DOCUMENT NO. SD-78320-001		SHEET NO. 2 OF 5	
A4	REV	THIS DRAWING CONTAINS INFORMATION THAT IS PROPRIETARY TO MOLEX INCORPORATED AND SHOULD NOT BE USED WITHOUT WRITTEN PERMISSION								

10 9 8 7 6 5 4 3 2 1

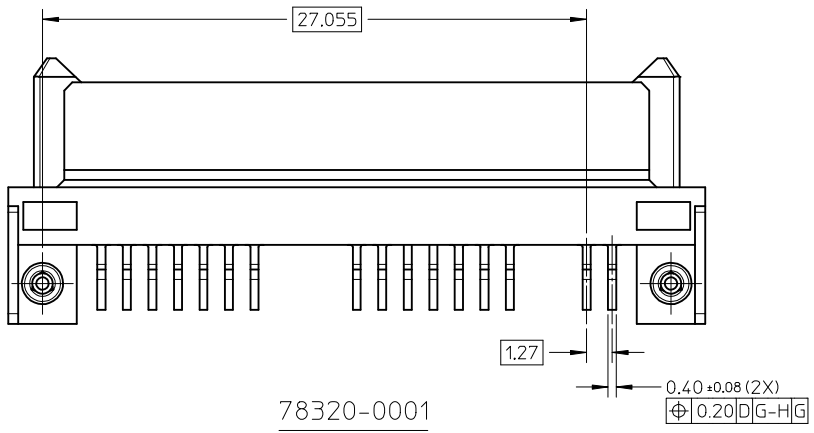


78320-1001



SECTION Z-Z

DATUM A TO PCB SITTING PLANE



78320-0001

ADD DIM [D3] & [E3] EC NO: S2017-0025 DRWN:SKANG 2016/07/14 CHYK:MLONG 2016/07/15 APPR:MLONG 2016/07/15	QUALITY SYMBOLS $\sqrt{Ra}=0$ $\sqrt{Rz}=0$ $\sqrt{Ry}=0$	GENERAL TOLERANCES (UNLESS SPECIFIED)		DIMENSION STYLE MM ONLY		SCALE NTS	DESIGN UNITS METRIC	THIRD ANGLE PROJECTION		
		mm	INCH	DRAWN BY	DATE	TITLE				
		4 PLACES ± ---	± ---	GMENARLY	2007/08/23	SERIAL ATA RECEPTACLE				
		3 PLACES ± ---	± ---	CHECKED BY	DATE	1.8 INCH HDD/SSD				
2 PLACES ± 0.20	± ---	YKOH	2007/10/04	R/A, SMT, 3.80MM HEIGHT						
1 PLACE ± ---	± ---	APPROVED BY	DATE	<b>molex</b> SERIAL NO. SD-78320-001 SHEET NO. 3 OF 5						
0 PLACE ±	±	BOKOK	2010/01/26							
ANGULAR ± 3°		MATERIAL NO.		SEE TABLE						
DRAFT WHERE APPLICABLE MUST REMAIN WITHIN DIMENSIONS				THIS DRAWING CONTAINS INFORMATION THAT IS PROPRIETARY TO MOLEX INCORPORATED AND SHOULD NOT BE USED WITHOUT WRITTEN PERMISSION						

9 8 7 6 5 4 3 2 1

10 9 8 7 6 5 4 3 2 1

F

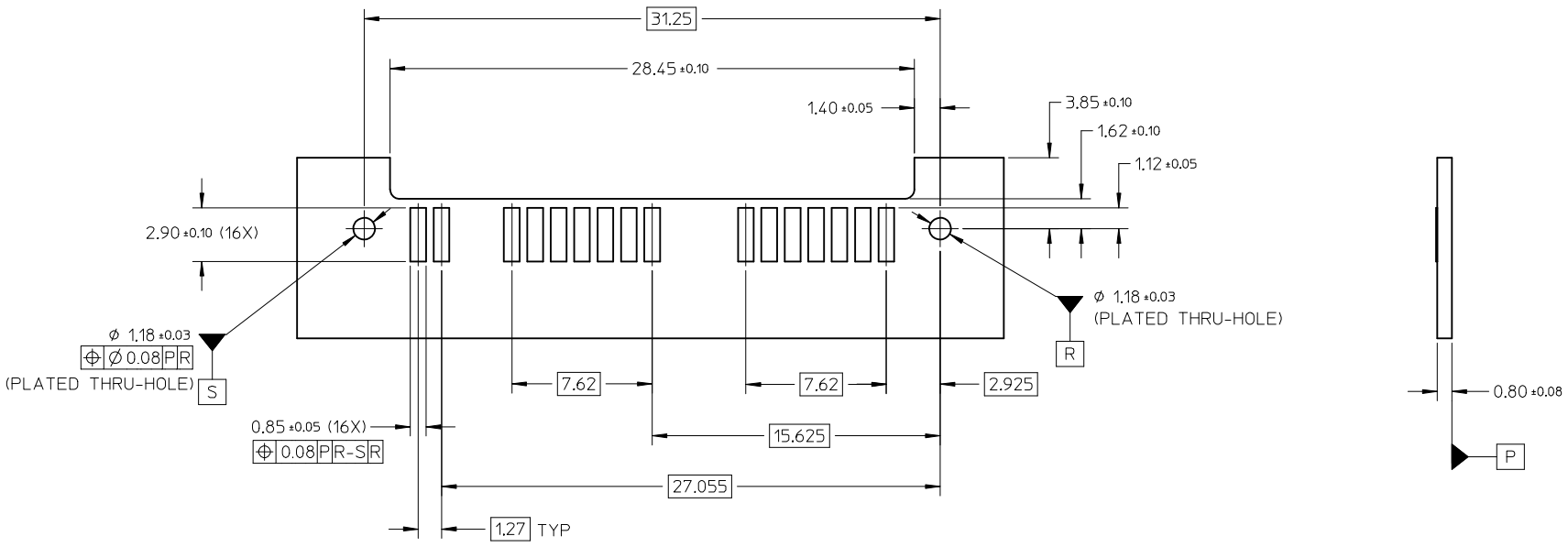
E

D

C

B

A



RECOMMENDED PCB LAYOUT

SEE SHEET 2 & 3 EC NO: S2017-0025 DRWN:SKANG 2016/07/14 CHKD:MLONG 2016/07/15 APPR:MLONG 2016/07/15	QUALITY SYMBOLS F <sub>A</sub> =0 F <sub>B</sub> =0 F <sub>C</sub> =0	GENERAL TOLERANCES (UNLESS SPECIFIED)		DIMENSION STYLE MM ONLY		SCALE NTS	DESIGN UNITS METRIC	THIRD ANGLE PROJECTION		
			mm	INCH	DRAWN BY GMENARLY	DATE 2007/08/23	TITLE SERIAL ATA RECEPTACLE 1.8 INCH HDD/SSD R/A, SMT, 3.80MM HEIGHT			
		4 PLACES	± ---	± ---	CHECKED BY YKOH	DATE 2007/10/04	<b>molex</b>			
		3 PLACES	± ---	± ---	APPROVED BY BOKOK	DATE 2010/01/26				
2 PLACES	± 0.20	± ---	ANGULAR ± 3 °		MATERIAL NO.	DOCUMENT NO.	SHEET NO.			
1 PLACE	± ---	± ---	DRAFT WHERE APPLICABLE MUST REMAIN WITHIN DIMENSIONS		SEE TABLE	SD-78320-001	4 OF 5			
0 PLACE	±	±			SIZE A3	THIS DRAWING CONTAINS INFORMATION THAT IS PROPRIETARY TO MOLEX INCORPORATED AND SHOULD NOT BE USED WITHOUT WRITTEN PERMISSION				

9 8 7 6 5 4 3 2 1

10 9 8 7 6 5 4 3 2 1

F

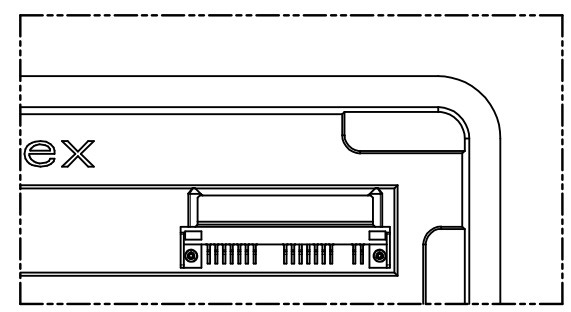
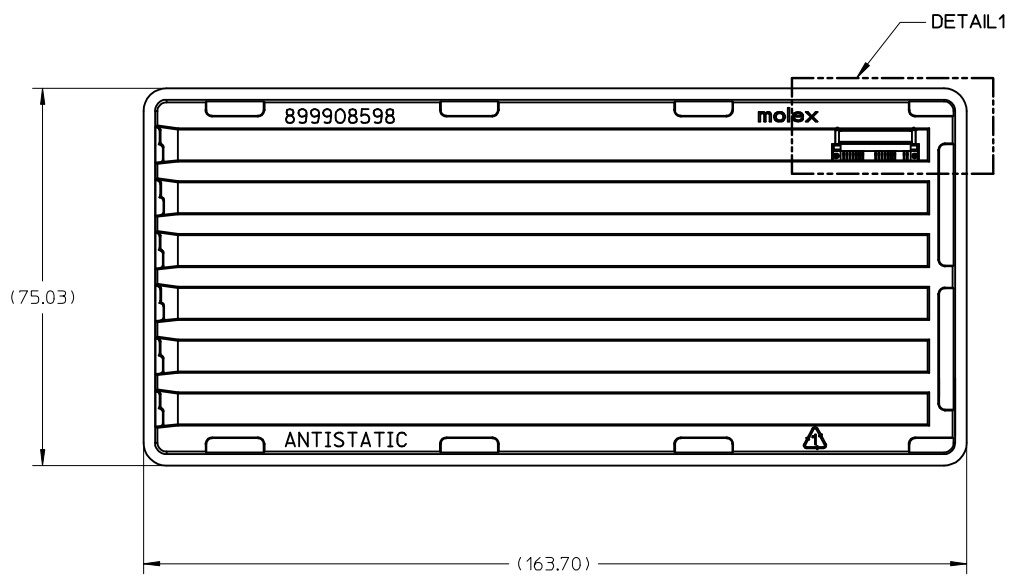
E

D

C

B

A



DETAIL 1

- NOTES:  
 1. PACKAGING QTY: 54PCS/TRAY  
 2. MATERIAL: PVC-CLEAR, ANTISTATIC  
 0.70MM THICK (PRE-FORMED)

SEE SHEET 2 & 3 EC NO: S2017-0025 DRWN:SKANG 2016/07/14 CHKD:MLONG 2016/07/15 APPR:MLONG 2016/07/15	REV DESCRIPTION A4	QUALITY SYMBOLS	GENERAL TOLERANCES (UNLESS SPECIFIED)		DIMENSION STYLE MM ONLY		SCALE NTS	DESIGN UNITS METRIC	THIRD ANGLE PROJECTION																												
		$F_A=0$ $F_C=0$ $F_P=0$	<table border="1"> <thead> <tr> <th></th> <th>mm</th> <th>INCH</th> </tr> </thead> <tbody> <tr> <td>4 PLACES</td> <td>± ---</td> <td>± ---</td> </tr> <tr> <td>3 PLACES</td> <td>± ---</td> <td>± ---</td> </tr> <tr> <td>2 PLACES</td> <td>± 0.20</td> <td>± ---</td> </tr> <tr> <td>1 PLACE</td> <td>± ---</td> <td>± ---</td> </tr> <tr> <td>0 PLACE</td> <td>±</td> <td>±</td> </tr> </tbody> </table>		mm	INCH	4 PLACES	± ---	± ---	3 PLACES	± ---	± ---	2 PLACES	± 0.20	± ---	1 PLACE	± ---	± ---	0 PLACE	±	±	<table border="1"> <thead> <tr> <th>DRAWN BY</th> <th>DATE</th> </tr> </thead> <tbody> <tr> <td>GMENARLY</td> <td>2007/08/23</td> </tr> <tr> <th>CHECKED BY</th> <th>DATE</th> </tr> <tr> <td>YKOH</td> <td>2007/10/04</td> </tr> <tr> <th>APPROVED BY</th> <th>DATE</th> </tr> <tr> <td>BOKOK</td> <td>2010/01/26</td> </tr> </tbody> </table>	DRAWN BY	DATE	GMENARLY	2007/08/23	CHECKED BY	DATE	YKOH	2007/10/04	APPROVED BY	DATE	BOKOK	2010/01/26	TITLE		
			mm	INCH																																	
		4 PLACES	± ---	± ---																																	
3 PLACES	± ---	± ---																																			
2 PLACES	± 0.20	± ---																																			
1 PLACE	± ---	± ---																																			
0 PLACE	±	±																																			
DRAWN BY	DATE																																				
GMENARLY	2007/08/23																																				
CHECKED BY	DATE																																				
YKOH	2007/10/04																																				
APPROVED BY	DATE																																				
BOKOK	2010/01/26																																				
DRAFT WHERE APPLICABLE MUST REMAIN WITHIN DIMENSIONS		ANGULAR ± 3 °	SEE TABLE	SERIAL ATA RECEPTACLE 1.8 INCH HDD/SSD R/A, SMT, 3.80MM HEIGHT																																	
			MATERIAL NO.	DOCUMENT NO.		SHEET NO.																															
			SIZE A3	THIS DRAWING CONTAINS INFORMATION THAT IS PROPRIETARY TO MOLEX INCORPORATED AND SHOULD NOT BE USED WITHOUT WRITTEN PERMISSION		SD-78320-001		5 OF 5																													

9 8 7 6 5 4 3 2 1