



Chipsmall Limited consists of a professional team with an average of over 10 year of expertise in the distribution of electronic components. Based in Hongkong, we have already established firm and mutual-benefit business relationships with customers from,Europe,America and south Asia,supplying obsolete and hard-to-find components to meet their specific needs.

With the principle of “Quality Parts,Customers Priority,Honest Operation,and Considerate Service”,our business mainly focus on the distribution of electronic components. Line cards we deal with include Microchip,ALPS,ROHM,Xilinx,Pulse,ON,Everlight and Freescale. Main products comprise IC,Modules,Potentiometer,IC Socket,Relay,Connector.Our parts cover such applications as commercial,industrial, and automotives areas.

We are looking forward to setting up business relationship with you and hope to provide you with the best service and solution. Let us make a better world for our industry!



## Contact us

Tel: +86-755-8981 8866 Fax: +86-755-8427 6832

Email & Skype: info@chipsmall.com Web: www.chipsmall.com

Address: A1208, Overseas Decoration Building, #122 Zhenhua RD., Futian, Shenzhen, China



HEADER WITH LEFT HOLD DOWN (FIG. 1)				
PART NUMBER	NUMBER OF POWER MODULES	*DIM A*	PLATING OPTION	LEFT HOLD DOWN MODULE LOCATION <sup>9</sup>
78349-100*	1X	15.00	TIN	REFER TO SHEET 2 FOR DETAILS
78349-10**	2X	26.40		

HEADER WITH RIGHT HOLD DOWN (FIG. 2)				
PART NUMBER	NUMBER OF POWER MODULES	*DIM A*	PLATING OPTION	RIGHT HOLD DOWN MODULE LOCATION <sup>9</sup>
78349-200*	1X	15.00	TIN	REFER TO SHEET 3 FOR DETAILS
78349-20**	2X	26.40		

NOTES:

- MATERIALS:  
HOUSING - HIGH TEMP. THERMOPLASTIC, GLASS FILLED, UL94-V0,COLOR:BLACK.  
POWER PIN - COPPER ALLOY.
- FINISH:  
POWER CONTACTS  
0.76µm MINIMUM GOLD AT CONTACT AREA AND  
2.54µm MINIMUM TIN AT SOLDERTAIL AREA  
OVER 1.27µm MINIMUM NICKEL UNDERPLATE.
- PRODUCT SPECIFICATION: PS-78213-001.
- PACKAGING SPECIFICATION:  
PK-78349-001 (1X MODULE WITH HOLD DOWN MODULE)  
PK-78349-002 (2X MODULE WITH HOLD DOWN MODULE)
- REFER TO MOLEX PRODUCT SPECIFICATION PS-78213-001 FOR PLATED THROUGH-HOLE SPECIFICATIONS AND TORQUE FORCE.
- MATES WITH 78214-\*\*\*\*, or 78350-\*\*\*\*
- PART NUMBER AND YEAR-DAY CODE. CAN BE AT THE OPPOSITE SIDE.
- ADD 11.4mm FOR EACH ADDITIONAL POWER MODULE.
- THE DETAILS FOR LEFT & RIGHT HOLD DOWN OPTION ARE SHOWN IN SHEET 2 AND SHEET 3 RESPECTIVELY.
- CONNECTORS ARE PACKED IN A TRAY.
- FIRST POWER MODULE (#1) START FROM THE RIGHT.
- REFER TO SD-78213-003 FOR DETAILS OF THE POWER MODULE .
- ALL PARTS ARE SHIPPED WITH A 2-32 TYPE AB SELF-TAPPING SCREW PART NUMBER 73726-0000.
- COMPONENT STAY AWAY ZONE FROM CONNECTOR.

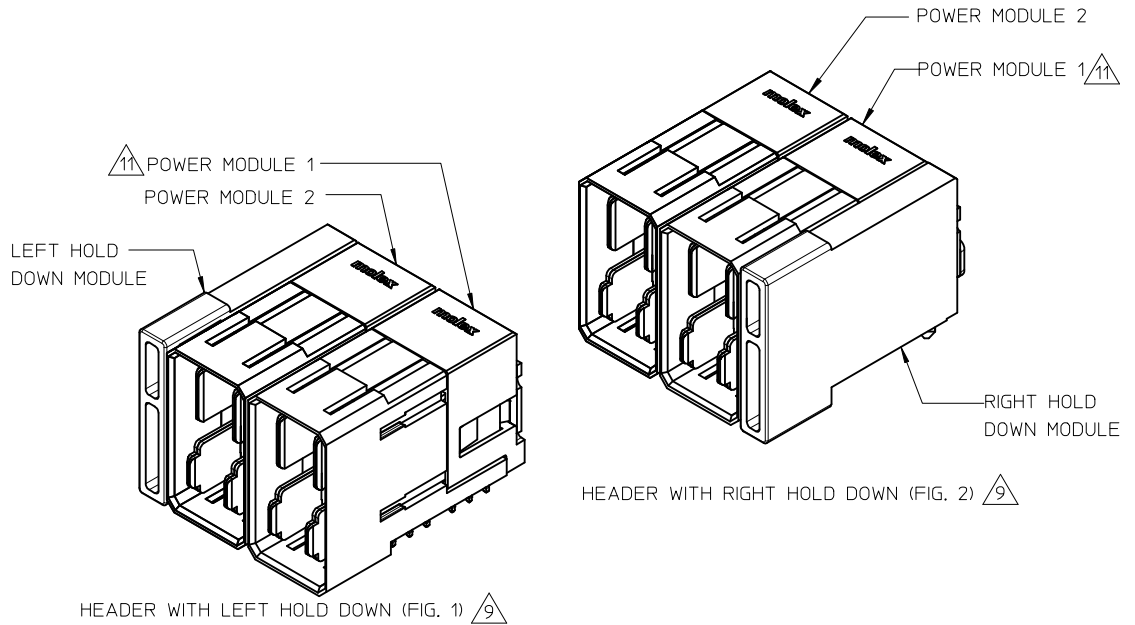
PLATING OPTION			HOLD DOWN MODULE LOCATION			*
TIN			LEFT			1
			RIGHT			2

*	BLADE LENGTH	
	P1	P2
0	MODULE NOT PRESENT	
1	6.90	6.90
2	5.70	5.70
3	6.90	5.70
4	5.70	6.90

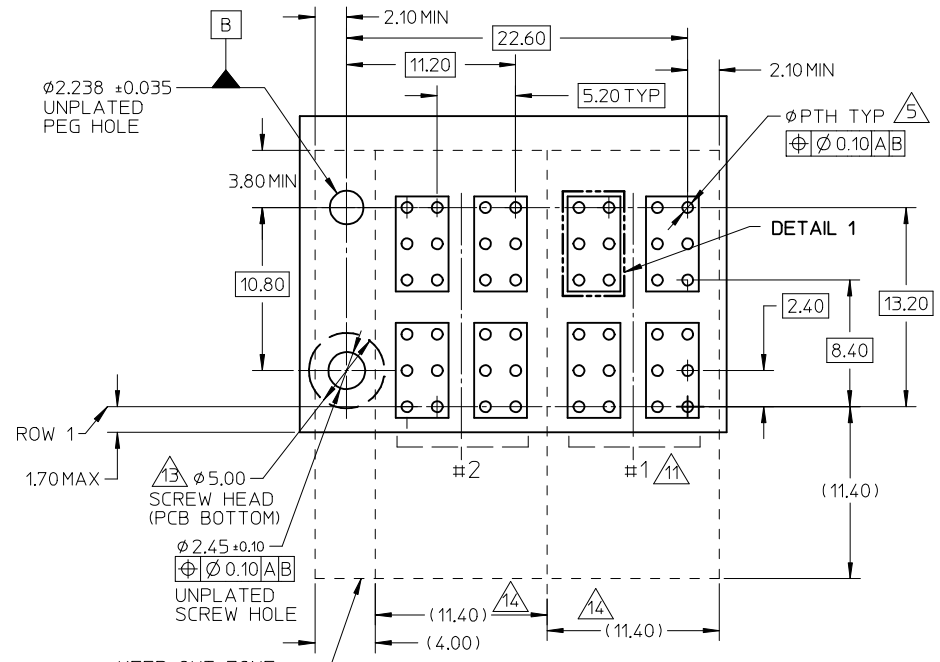
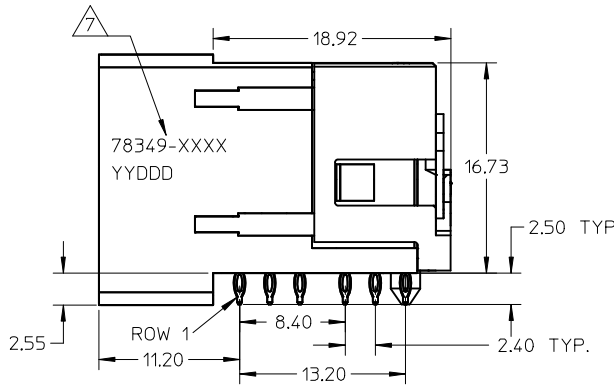
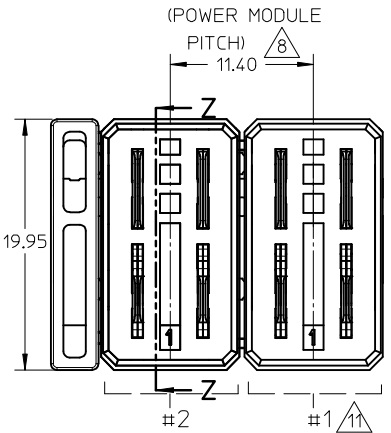
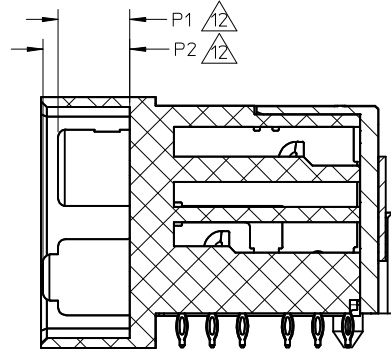
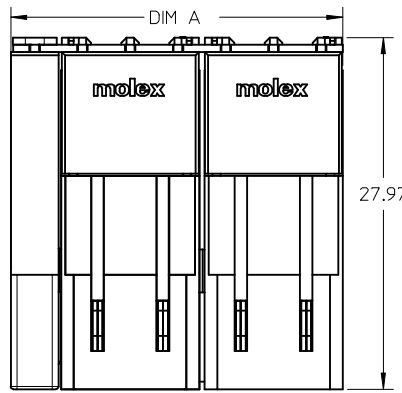
  

*	BLADE LENGTH	
	P1	P2
1	6.90	6.90
2	5.70	5.70
3	6.90	5.70
4	5.70	6.90

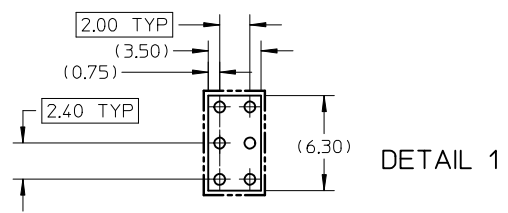


REV REDUNDANT DIM EC NO: S2014-0872 DRWN: SHONG 2014/05/28 CHKD: HCGOH 2015/04/07 APPR: SHLENI 2015/04/07	QUALITY SYMBOLS ▽=0 ▽=0 ▽=0	GENERAL TOLERANCES (UNLESS SPECIFIED)		DIMENSION STYLE MM ONLY		SCALE NTS	DESIGN UNITS METRIC	THIRD ANGLE PROJECTION	
		4 PLACES	± ---	± ---	DRAWN BY LNG	DATE 2008/02/04	TITLE IMPACT POWER, 4 PAIR HEADER WITH HOLD DOWN PRESS FIT <b>molex</b> DOCUMENT NO. SD-78349-001 SHEET NO. 1 OF 5		
		3 PLACES	± ---	± ---	CHECKED BY ANG	DATE 2008/03/20			
		2 PLACES	± 0.25	± ---	APPROVED BY SHONG	DATE 2011/02/08			
1 PLACE	± ---	± ---	MATERIAL NO.						
0 PLACE	± ---	± ---	ANGULAR ± 3 °		DRAFT WHERE APPLICABLE MUST REMAIN WITHIN DIMENSIONS		SEE TABLE		

LEFT HOLD DOWN OPTION



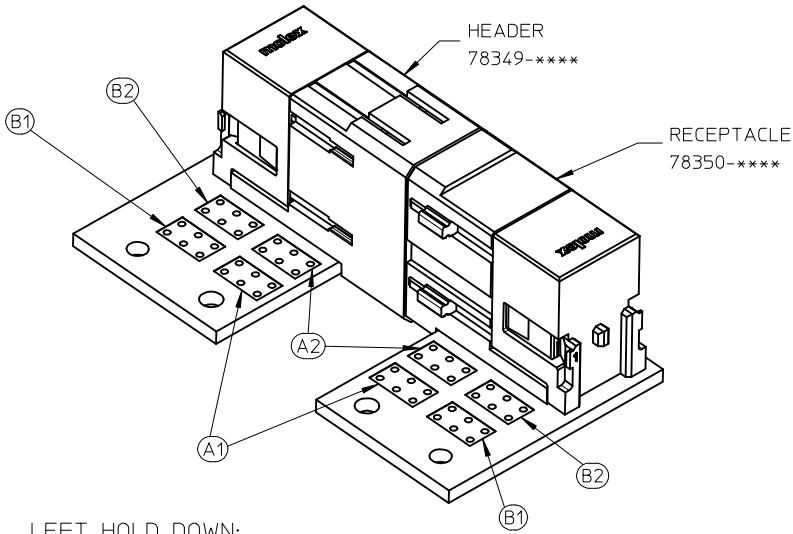
PCB LAYOUT HOLD DOWN LEFT  
- 2 POWER MODULE  
(COMPONENT SIDE SHOWN)



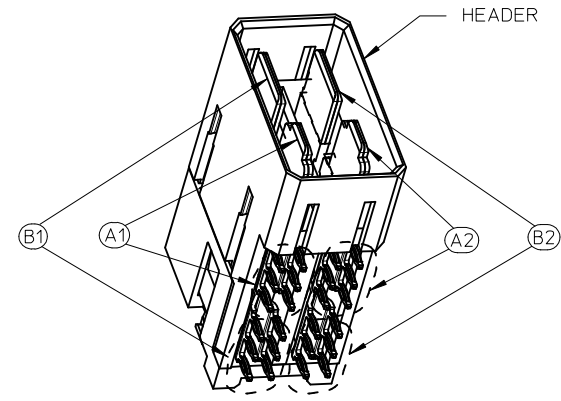
COPPER PAD REFERENCE

REV REDUNDANT DIM IEC NO: SZ014-0872 DRWN: SHONG CHKD: HCGOH APPR: SHLENI 2014/05/28 2015/04/07 2015/04/07	QUALITY SYMBOLS F=0 F=0 F=0	GENERAL TOLERANCES (UNLESS SPECIFIED)		DIMENSION STYLE	SCALE	DESIGN UNITS	THIRD ANGLE PROJECTION	
				MM ONLY	NTS	METRIC		
				mm	INCH	TITLE		
		4 PLACES	± ---	± ---	DRAWN BY	DATE	IMPACT POWER, 4 PAIR HEADER WITH HOLD DOWN PRESS FIT	
		3 PLACES	± ---	± ---	LNG	2008/02/04	<b>molex</b> DOCUMENT NO. SD-78349-001 SHEET NO. 2 OF 5	
2 PLACES	± 0.25	± ---	CHECKED BY	DATE				
1 PLACE	± ---	± ---	ANG	2008/03/20				
0 PLACE	± ---	± ---	APPROVED BY	DATE				
			SHONG	2011/02/08				
			MATERIAL NO.					
			SEE TABLE					
			ANGULAR ± 3 °					
			DRAFT WHERE APPLICABLE MUST REMAIN WITHIN DIMENSIONS					
			SIZE	THIS DRAWING CONTAINS INFORMATION THAT IS PROPRIETARY TO MOLEX INCORPORATED AND SHOULD NOT BE USED WITHOUT WRITTEN PERMISSION				
			A3					

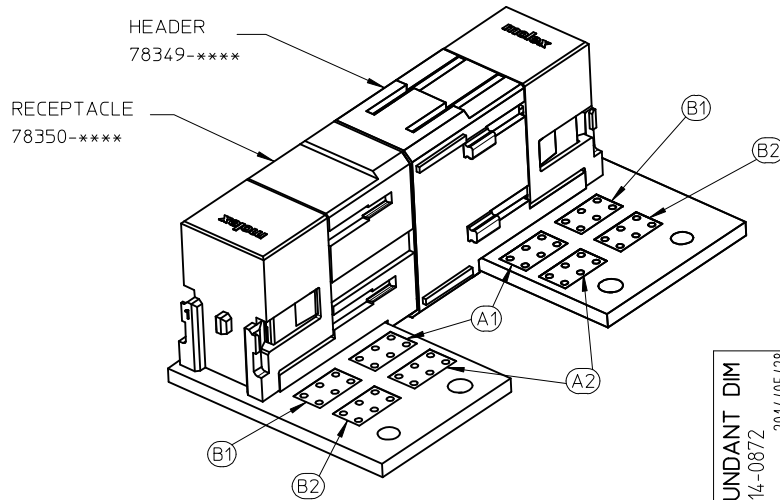




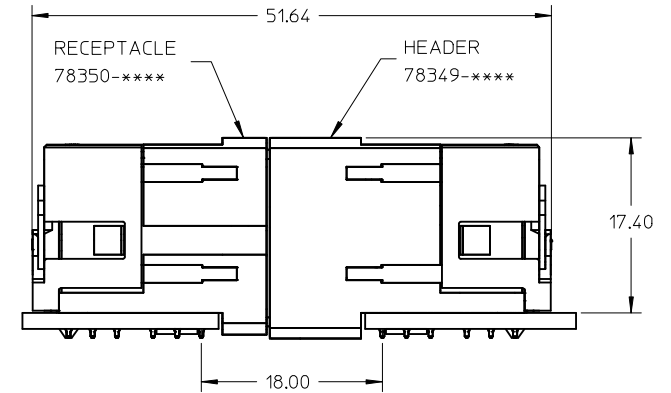
LEFT HOLD DOWN:  
1 POWER MODULE AND HOLD DOWN REMOVED TO ILLUSTRATE CIRCUIT PATH OF MATED SYSTEM



PIN NUMBER ASSIGNMENT BASED ON HEADER SIDE:  
A1, B1 ON THE LEFT,  
A2, B2 ON THE RIGHT.

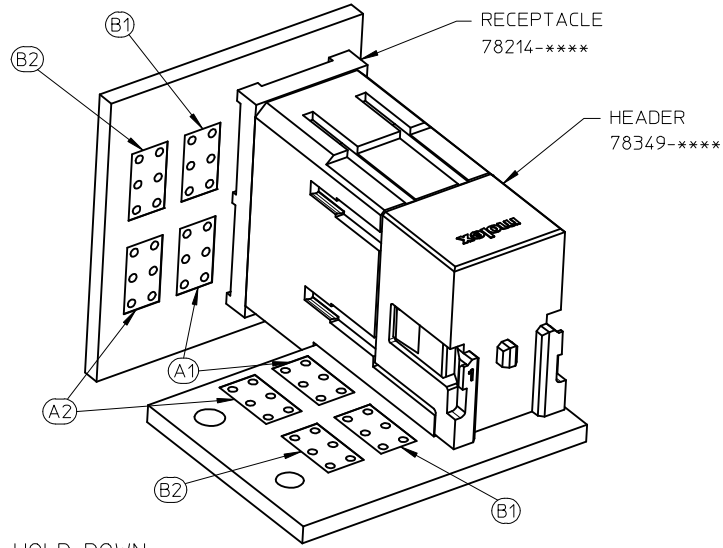


RIGHT HOLD DOWN:  
1 POWER MODULE AND HOLD DOWN REMOVED TO ILLUSTRATE CIRCUIT PATH OF MATED SYSTEM

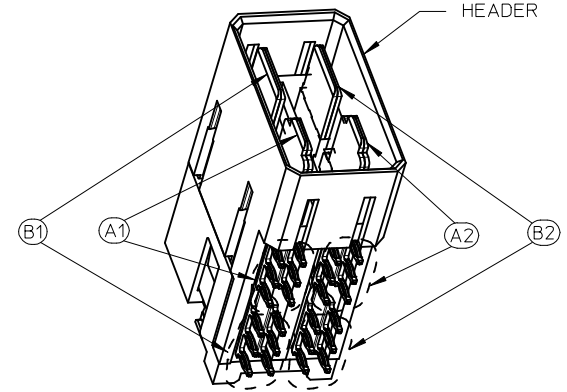


MATED SYSTEM OF 78349 & 78350

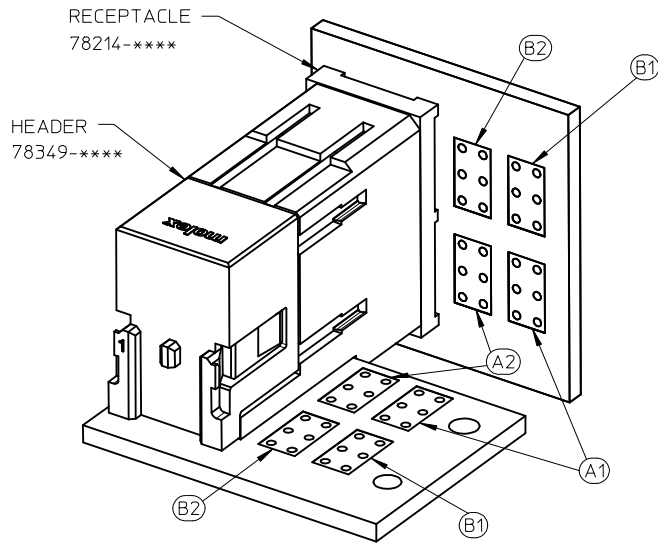
<b>REV REDUNDANT DIM</b> EC NO: SZ014-0872 DRWN: SHONG CHKD: HCGOH APPR: SILENI	2014/05/28 2015/04/07 2015/04/07	DESCRIPTION REV	QUALITY SYMBOLS	GENERAL TOLERANCES (UNLESS SPECIFIED)	DIMENSION STYLE	SCALE	DESIGN UNITS	THIRD ANGLE PROJECTION
			$F_A=0$ $F_E=0$ $F_P=0$	mm    INCH 4 PLACES ± --- ± --- 3 PLACES ± --- ± --- 2 PLACES ± 0.25 ± --- 1 PLACE ± --- ± --- 0 PLACE ± --- ± ---	MM ONLY	NTS	METRIC	
				ANGULAR ± 3 ° DRAFT WHERE APPLICABLE MUST REMAIN WITHIN DIMENSIONS	DRAWN BY: LNG CHECKED BY: ANG APPROVED BY: SHONG	DATE: 2008/02/04 DATE: 2008/03/20 DATE: 2011/02/08	TITLE	IMPACT POWER, 4 PAIR HEADER WITH HOLD DOWN PRESS FIT
			SIZE A3 THIS DRAWING CONTAINS INFORMATION THAT IS PROPRIETARY TO MOLEX INCORPORATED AND SHOULD NOT BE USED WITHOUT WRITTEN PERMISSION	MATERIAL NO. <b>SEE TABLE</b>	DOCUMENT NO. SD-78349-001	SHEET NO. 4 OF 5		



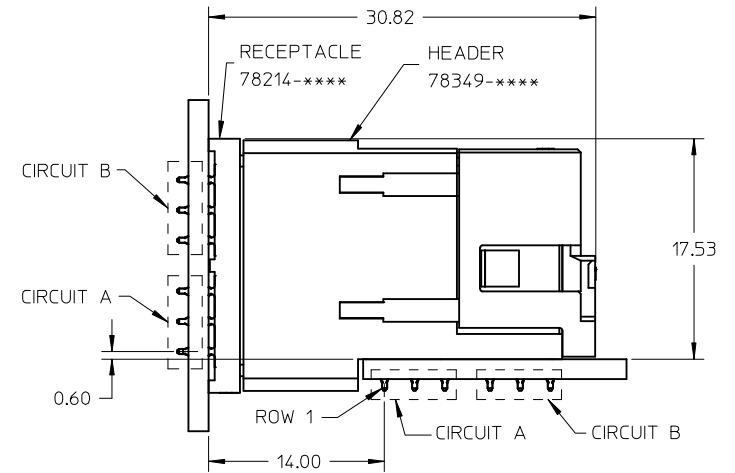
RIGHT HOLD DOWN:  
1 POWER MODULE AND HOLD DOWN REMOVED TO ILLUSTRATE CIRCUIT PATH OF MATED SYSTEM



PIN NUMBER ASSIGNMENT BASED ON HEADER SIDE:  
A1, B1 ON THE LEFT,  
A2, B2 ON THE RIGHT.



LEFT HOLD DOWN:  
1 POWER MODULE AND HOLD DOWN REMOVED TO ILLUSTRATE CIRCUIT PATH OF MATED SYSTEM



MATED SYSTEM FOR 78349 & 78214

<b>REV REDUNDANT DIM</b> EC NO: S2014-0872 DRWN: SHONG 2014/05/28 CHKD: HICG0H 2015/04/07 APPR: SILENI 2015/04/07	QUALITY SYMBOLS $F_A=0$ $F_E=0$ $F_P=0$	GENERAL TOLERANCES (UNLESS SPECIFIED)		DIMENSION STYLE <b>MM ONLY</b>		SCALE NTS	DESIGN UNITS METRIC	THIRD ANGLE PROJECTION		
			mm	INCH	DRAWN BY	DATE	TITLE			
		4 PLACES	± ---	± ---	LNG	2008/02/04	<b>IMPACT POWER, 4 PAIR                  HEADER WITH HOLD DOWN                  PRESS FIT</b>  <b>molex</b>			
		3 PLACES	± ---	± ---	CHECKED BY	DATE				
2 PLACES	± 0.25	± ---	ANG	2008/03/20						
1 PLACE	± ---	± ---	APPROVED BY	DATE						
	0 PLACE	± ---	± ---	SHONG	2011/02/08	MATERIAL NO. <b>SEE TABLE</b>		DOCUMENT NO. <b>SD-78349-001</b>		SHEET NO. <b>5 OF 5</b>
DRAFT WHERE APPLICABLE MUST REMAIN WITHIN DIMENSIONS		ANGULAR ± 3 °		SIZE <b>A3</b>		THIS DRAWING CONTAINS INFORMATION THAT IS PROPRIETARY TO MOLEX INCORPORATED AND SHOULD NOT BE USED WITHOUT WRITTEN PERMISSION				