



Chipsmall Limited consists of a professional team with an average of over 10 year of expertise in the distribution of electronic components. Based in Hongkong, we have already established firm and mutual-benefit business relationships with customers from,Europe,America and south Asia,supplying obsolete and hard-to-find components to meet their specific needs.

With the principle of "Quality Parts,Customers Priority,Honest Operation,and Considerate Service",our business mainly focus on the distribution of electronic components. Line cards we deal with include Microchip,ALPS,ROHM,Xilinx,Pulse,ON,Everlight and Freescale. Main products comprise IC,Modules,Potentiometer,IC Socket,Relay,Connector.Our parts cover such applications as commercial,industrial, and automotives areas.

We are looking forward to setting up business relationship with you and hope to provide you with the best service and solution. Let us make a better world for our industry!



## Contact us

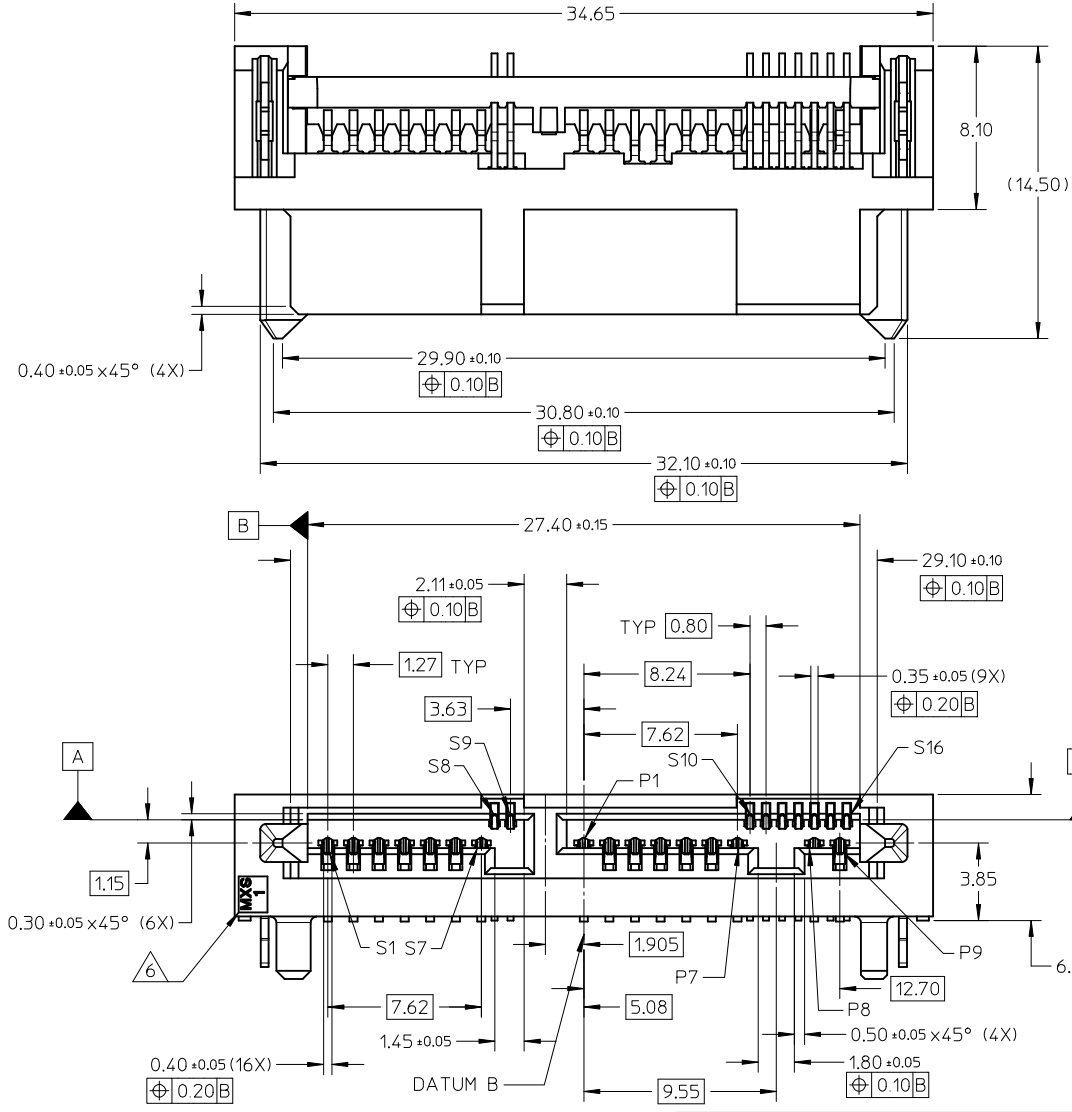
Tel: +86-755-8981 8866 Fax: +86-755-8427 6832

Email & Skype: info@chipsmall.com Web: www.chipsmall.com

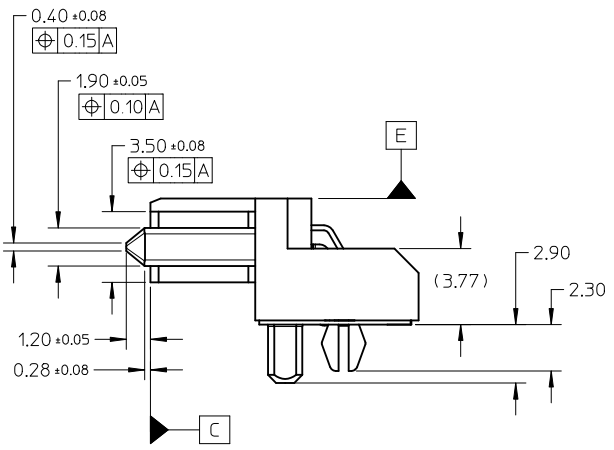
Address: A1208, Overseas Decoration Building, #122 Zhenhua RD., Futian, Shenzhen, China



10 9 8 7 6 5 4 3 2 1



- NOTES:
- MATERIAL : LCP, GLASS FILLED, UL 94V-0, BLACK  
TERMINAL/FORKLOCK : COPPER ALLOY
  - FINISHES :  
TERMINAL : 0.76µm MIN. SELECTIVE GOLD OVER  
1.27µm MIN. NICKEL UNDERPLATE  
: 2.54µm MIN. TIN OVER  
1.27µm MIN. NICKEL UNDERPLATE  
FORKLOCK : 2.54µm MIN. TIN OVER  
1.27µm MIN. NICKEL UNDERPLATE
  - PRODUCT SPECIFICATION PS-78395-001
  - PACKAGING SPECIFICATION : TRAY
  - MATES WITH : MOLEX MICRO SAS PLUG
  - MOLEX LOGO LOCATED APPROXIMATELY AS SHOWN
  - THIS PRODUCT IS COMPLIANT TO RoHS DIRECTIVE WITH THE FOLLOWING BANNED SUBSTANCES - LEAD, MERCURY, CADMIUM, HEXAVALENT CHROMIUM, POLYBROMINATED BIPHENYLS AND POLYBROMINATED DIPHENYLS ETHERS.
  - NON FUNCTIONAL CORING MAY VARY.



REVISED BASEPLATE EC NO: S2010-0600 DRWING: MEMARLY 2010/01/14 CHKD: SCHEONG 2010/03/31 APPR: BOKKOK 2010/04/01	DESCRIPTION A7	QUALITY SYMBOLS $F_A=0$ $F_C=0$ $F_B=0$	GENERAL TOLERANCES (UNLESS SPECIFIED)		DIMENSION STYLE	SCALE	DESIGN UNITS	THIRD ANGLE PROJECTION	
			mm	INCH	MM ONLY	NTS	METRIC		
			4 PLACES	± ---	± ---	DRAWN BY	DATE	TITLE	
			3 PLACES	± ---	± ---	CHECKED BY	DATE		
			2 PLACES	± 0.20	± ---				
			1 PLACE	± ---	± ---				
			ANGULAR ± 3 °		APPROVED BY	DATE			
			DRAFT WHERE APPLICABLE MUST REMAIN WITHIN DIMENSIONS		BOKKOK	2010/03/31			
			SEE TABLE		MATERIAL NO.	DOCUMENT NO.			
			SIZE A3		THIS DRAWING CONTAINS INFORMATION THAT IS PROPRIETARY TO MOLEX INCORPORATED AND SHOULD NOT BE USED WITHOUT WRITTEN PERMISSION				

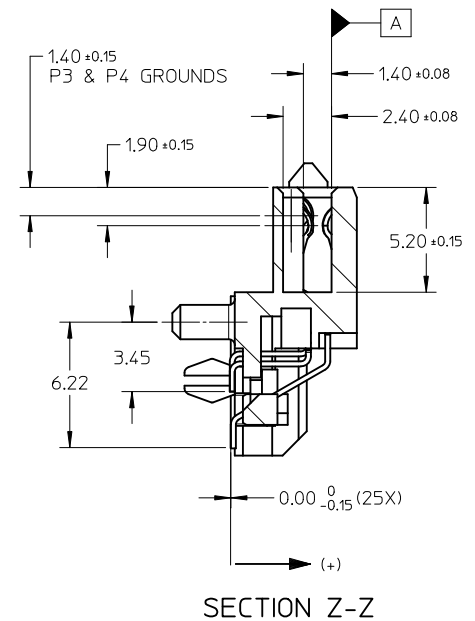
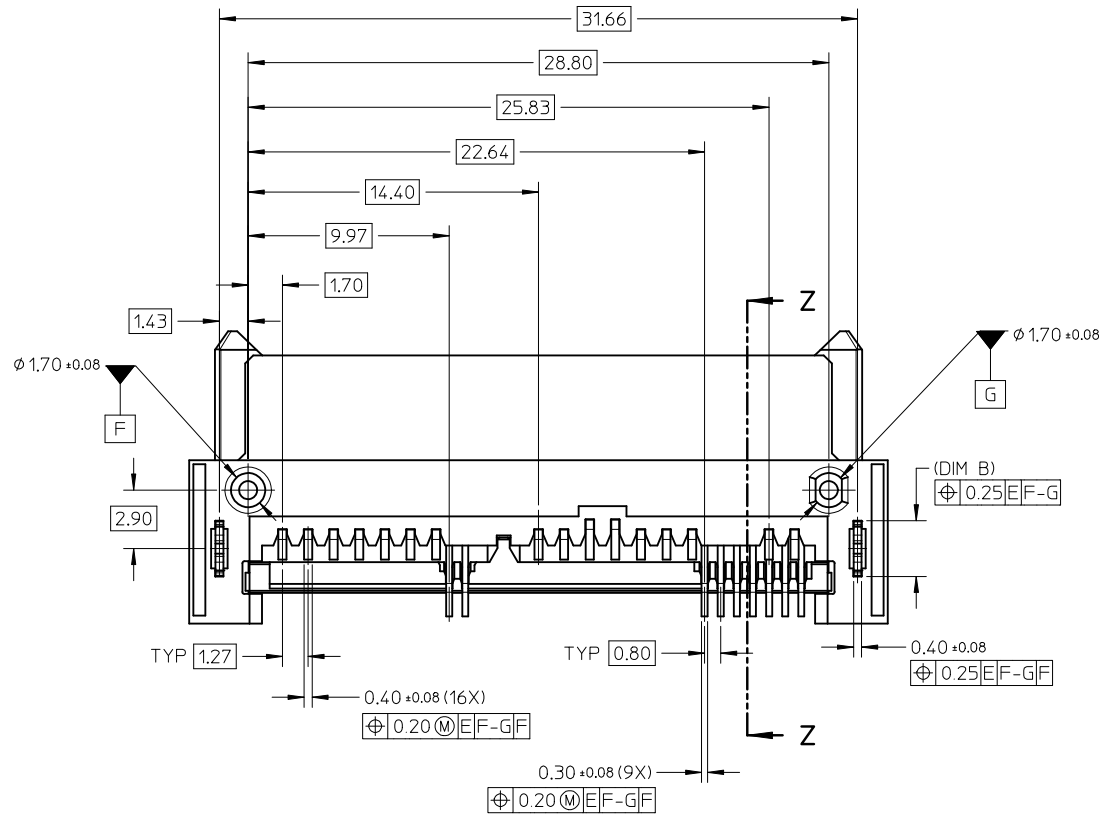
MICRO SAS RECEPTACLE  
R/A, SMT, 3.85MM HEIGHT  
1.8 INCH SSD/HDD

MOLEX INCORPORATED

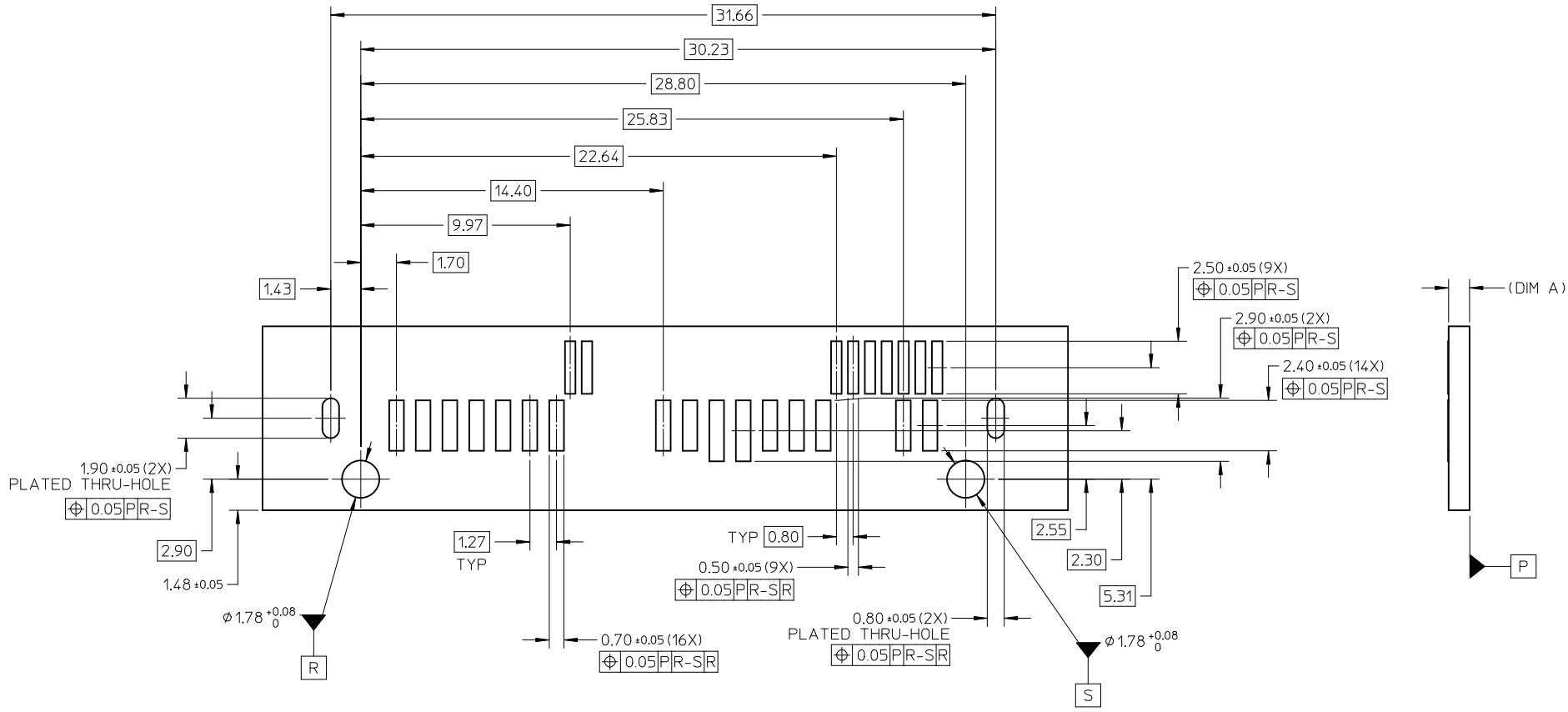
SD-78395-001

SHEET NO. 1 OF 4

9 8 7 6 5 4 3 2 1



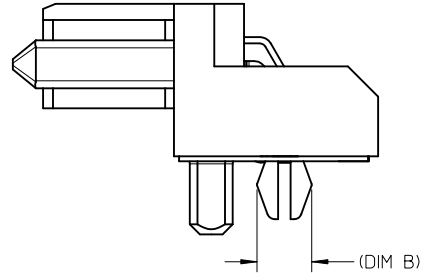
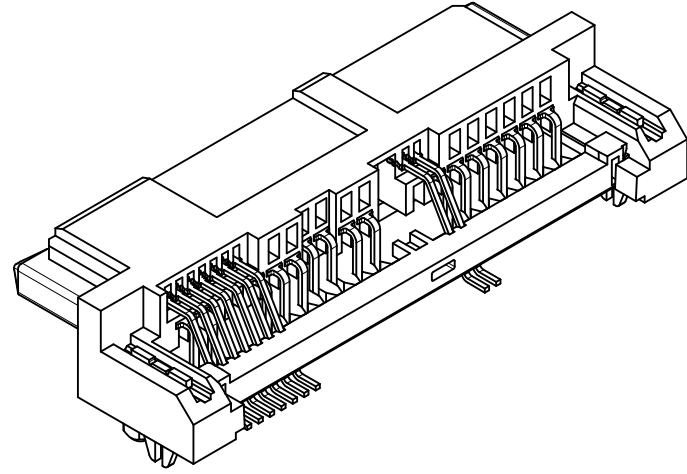
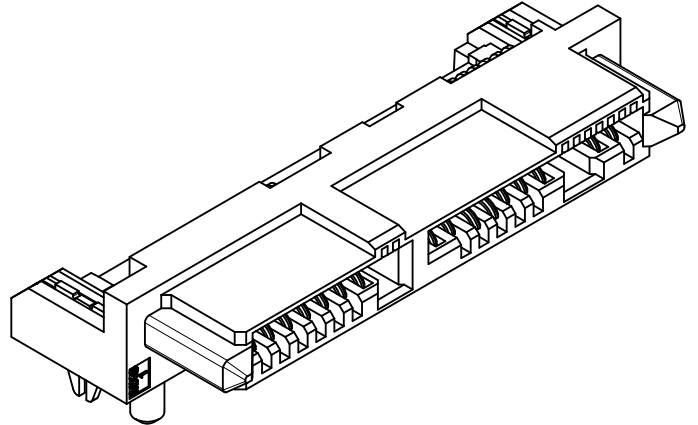
REVISED BASEPLATE EC NO: S2010-0600 DRWN: GEMENARY 2010/01/14 CHKD: SCHEONG 2010/03/31 APPR: BOKKOK 2010/04/01	QUALITY SYMBOLS	GENERAL TOLERANCES (UNLESS SPECIFIED)		DIMENSION STYLE	SCALE	DESIGN UNITS	THIRD ANGLE PROJECTION
	$F_A=0$ $F_G=0$ $F_P=0$	mm    INCH 4 PLACES ± --- ± --- 3 PLACES ± --- ± --- 2 PLACES ± 0.20 ± --- 1 PLACE ± --- ± ---	MM ONLY	NTS	METRIC	TITLE MICRO SAS RECEPTACLE R/A, SMT, 3.85MM HEIGHT 1.8 INCH SSD/HDD	
	DESCRIPTION	ANGULAR ± 3 °	DRAWN BY: YKOH CHECKED BY: JTAN02 APPROVED BY: BOKKOK MATERIAL NO.	DATE: 2008/05/20 DATE: 2008/06/11 DATE: 2010/03/31	MOLEX INCORPORATED DOCUMENT NO. SD-78395-001		
	REV	DRAFT WHERE APPLICABLE MUST REMAIN WITHIN DIMENSIONS	SEE TABLE	THIS DRAWING CONTAINS INFORMATION THAT IS PROPRIETARY TO MOLEX INCORPORATED AND SHOULD NOT BE USED WITHOUT WRITTEN PERMISSION		SHEET NO. 2 OF 4	



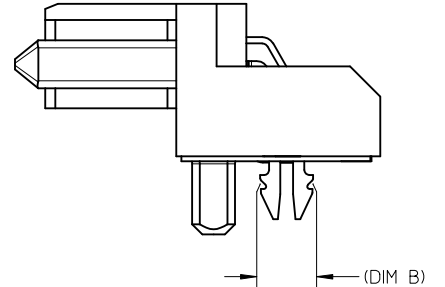
RECOMMENDED PCB LAYOUT

<b>REVISED BASEPLATE</b> EC NO: S2010-0600 DRW: GEMENARLY 2010/01/14 CHK: D. SCHEONG 2010/03/31 APPR: BOKKOK 2010/04/01	QUALITY SYMBOLS	GENERAL TOLERANCES (UNLESS SPECIFIED)		DIMENSION STYLE	SCALE	DESIGN UNITS	THIRD ANGLE PROJECTION
	$F_A=0$	mm	INCH	MM ONLY	NTS	METRIC	
	$F_C=0$	4 PLACES ± ---	± ---	DRAWN BY	DATE	TITLE	
	$F_P=0$	3 PLACES ± ---	± ---	YKOH	2008/05/20	MICRO SAS RECEPTACLE	
	2 PLACES ± 0.20	± ---	CHECKED BY	DATE	R/A, SMT, 3.85MM HEIGHT		
	1 PLACE ± ---	± ---	JTAN02	2008/06/11	1.8 INCH SSD/HDD		
	ANGULAR ± 3 °			APPROVED BY	DATE	MOLEX INCORPORATED	
		DRAFT WHERE APPLICABLE MUST REMAIN WITHIN DIMENSIONS		BOKKOK	2010/03/31	MOLEX INCORPORATED	
				MATERIAL NO.	DOCUMENT NO.	SD-78395-001	
				SEE TABLE			SHEET NO. 3 OF 4
				SIZE A3	THIS DRAWING CONTAINS INFORMATION THAT IS PROPRIETARY TO MOLEX INCORPORATED AND SHOULD NOT BE USED WITHOUT WRITTEN PERMISSION		

5	4	3	2	1
PART NUMBER	HOLDDOWN	DIM A (PCB THICKNESS)		DIM B
78395-0001	FORKLOCK	1.00±0.10		(2.18)
78395-0002	FORKLOCK	1.20±0.12 TO 1.60±0.16 PCB FORKLOCK HOLE MUST BE PLATED THRU-HOLE (PTH) REGARDLESS WHETHER FORKLOCK IS SOLDERED OR NOT		(2.10)



78395-0001



78395-0002

<b>REVISED BASEPLATE</b> EC NO: S2010-0600 DRWN: GEMENARLY 2010/01/14 CHKD: SCHEONG 2010/03/31 APPR: BOKKOK 2010/04/01	DESCRIPTION REV	QUALITY SYMBOLS $F_A=0$ $F_C=0$ $F_P=0$	GENERAL TOLERANCES (UNLESS SPECIFIED) <table border="1"> <tr> <td></td> <td>mm</td> <td>INCH</td> </tr> <tr> <td>4 PLACES</td> <td>± ---</td> <td>± ---</td> </tr> <tr> <td>3 PLACES</td> <td>± ---</td> <td>± ---</td> </tr> <tr> <td>2 PLACES</td> <td>± 0.20</td> <td>± ---</td> </tr> <tr> <td>1 PLACE</td> <td>± ---</td> <td>± ---</td> </tr> </table>		mm	INCH	4 PLACES	± ---	± ---	3 PLACES	± ---	± ---	2 PLACES	± 0.20	± ---	1 PLACE	± ---	± ---	DIMENSION STYLE <b>MM ONLY</b>	SCALE <b>NTS</b>	DESIGN UNITS <b>METRIC</b>	THIRD ANGLE PROJECTION
		mm	INCH																			
	4 PLACES	± ---	± ---																			
	3 PLACES	± ---	± ---																			
2 PLACES	± 0.20	± ---																				
1 PLACE	± ---	± ---																				
	DRAWN BY YKOH	DATE 2008/05/20	TITLE <b>MICRO SAS RECEPTACLE          R/A, SMT, 3.85MM HEIGHT          1.8 INCH SSD/HDD</b>																			
	CHECKED BY JTAN02	DATE 2008/06/11	MOLEX INCORPORATED																			
	APPROVED BY BOKKOK	DATE 2010/03/31	MATERIAL NO. <b>SEE TABLE</b>	DOCUMENT NO. <b>SD-78395-001</b>	SHEET NO. <b>4 OF 4</b>																	

DRAFT WHERE APPLICABLE MUST REMAIN WITHIN DIMENSIONS

SIZE **A3** THIS DRAWING CONTAINS INFORMATION THAT IS PROPRIETARY TO MOLEX INCORPORATED AND SHOULD NOT BE USED WITHOUT WRITTEN PERMISSION