



Chipsmall Limited consists of a professional team with an average of over 10 year of expertise in the distribution of electronic components. Based in Hongkong, we have already established firm and mutual-benefit business relationships with customers from,Europe,America and south Asia,supplying obsolete and hard-to-find components to meet their specific needs.

With the principle of “Quality Parts,Customers Priority,Honest Operation,and Considerate Service”,our business mainly focus on the distribution of electronic components. Line cards we deal with include Microchip,ALPS,ROHM,Xilinx,Pulse,ON,Everlight and Freescale. Main products comprise IC,Modules,Potentiometer,IC Socket,Relay,Connector.Our parts cover such applications as commercial,industrial, and automotives areas.

We are looking forward to setting up business relationship with you and hope to provide you with the best service and solution. Let us make a better world for our industry!



## Contact us

Tel: +86-755-8981 8866 Fax: +86-755-8427 6832

Email & Skype: info@chipsmall.com Web: www.chipsmall.com

Address: A1208, Overseas Decoration Building, #122 Zhenhua RD., Futian, Shenzhen, China



10 9 8 7 6 5 4 3 2 1

F

F

E

E

D

D

C

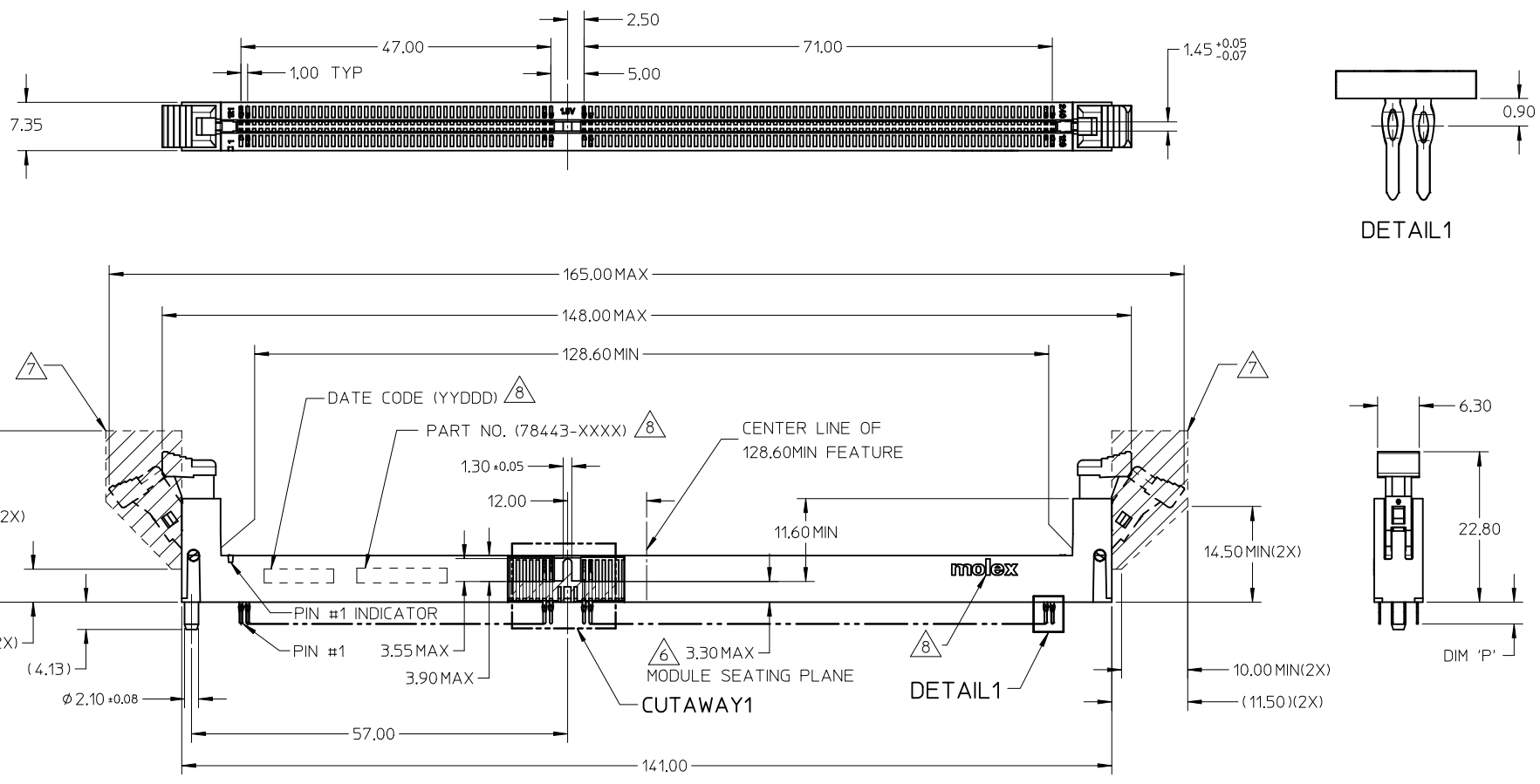
C

B

B

A

A



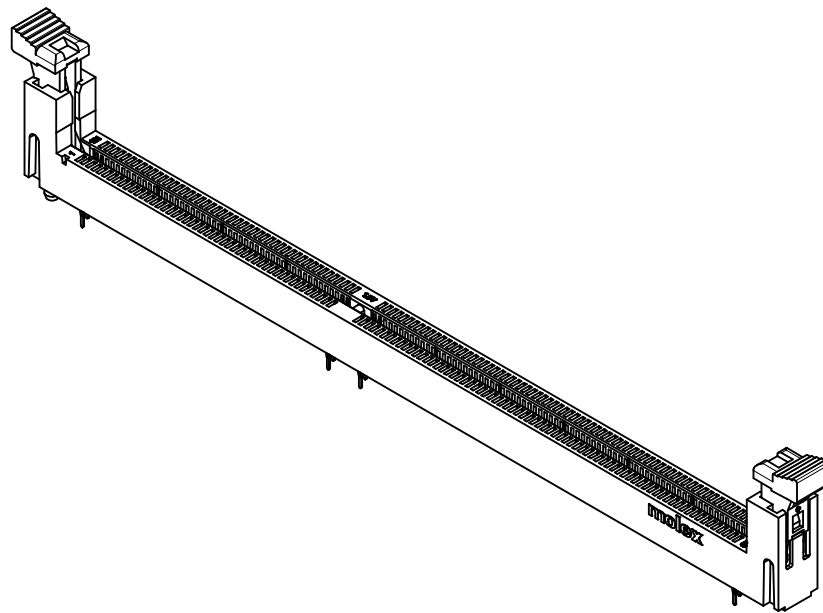
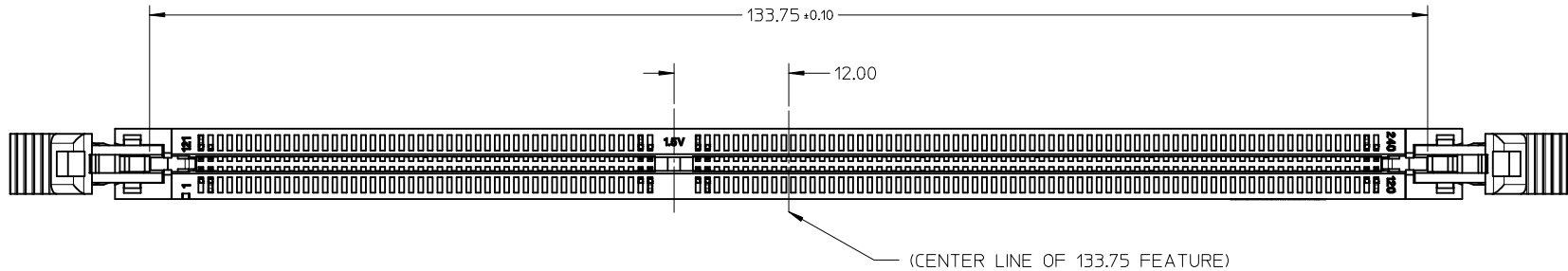
- NOTES:
1. MATERIALS  
HOUSING - POLYAMIDE (PA), GLASS FILLED, UL 94V-0, COLOUR - SEE TABLE.  
LATCH - POLYIMIDE (PA), COLOUR - SEE TABLE.  
- POLYSULFONE, UL 94HB - CLEAR.  
TERMINAL - COPPER ALLOY.
  2. PLATING - SEE TABLE.
  3. PRODUCT SPECIFICATION: SEE TABLE.
  4. PRODUCT SHALL BE PACKED IN TRAY.
  5. CARD SLOT ACCEPTS 1.27±0.10MM MODULE THICKNESS.  
(MEASURED FROM P.C.PADS).

6. MODULE SEATING PLANE FROM TOP OF PCB.
7. KEEP OUT ZONE RESERVED FOR LATCH.
8. MOLEX LOGO, DATE & PART NO. INDICATED ON HOUSING.

|   |                    |  |   |              |                                   |                          |              |                          |                        |  |  |  |
|---|--------------------|--|---|--------------|-----------------------------------|--------------------------|--------------|--------------------------|------------------------|--|--|--|
| <b>REMOVE PART NO.</b><br>EC NO: S2014-1201<br>DRWNG:CGTAN 2014/04/22<br>CHKD:CTEH 2014/06/11<br>APPR:SHLENI 2014/06/11 | DESCRIPTION<br>REV | QUALITY SYMBOLS<br>$F_A=0$<br>$F_G=0$<br>$F_P=0$     | GENERAL TOLERANCES (UNLESS SPECIFIED)   |              | DIMENSION STYLE<br><b>MM ONLY</b> |                          | SCALE<br>NTS | DESIGN UNITS<br>METRIC   | THIRD ANGLE PROJECTION |  |  |  |
|   |                    |  | mm  | INCH         | DRAWN BY                          | DATE                     | TITLE        |                          |                        |  |  |  |
|   |                    |  | 4 PLACES  | ± ---        | ± ---                             | CMTEO                    | 2008/06/19   | DDR3 DIMM, 100MM PITCH   |                        |  |  |  |
|   |                    |  | 3 PLACES  | ± ---        | ± ---                             | CHECKED BY               | DATE         | 240 CKTS, VERT PRESS-FIT |                        |  |  |  |
|   | 2 PLACES           | ± 0.2  | ± ---   | CGTAN        | 2008/07/25                        | LOW-LLCR                 |              |                          |                        |  |  |  |
|   | 1 PLACE            | ± ---  | ± ---   | APPROVED BY  | DATE                              | MOLEX MOLEX INCORPORATED |              |                          |                        |  |  |  |
|   |                    | ANGULAR ± 1 °  |   | SHLENI       | 2010/03/29                        | DOCUMENT NO.             |              |                          |                        |  |  |  |
|   |                    | DRAFT WHERE APPLICABLE MUST REMAIN WITHIN DIMENSIONS |   | MATERIAL NO. |                                   | SEE TABLE                |              | SD-78443-001             |                        |  |  |  |
|   |                    | SIZE   | THIS DRAWING CONTAINS INFORMATION THAT IS PROPRIETARY TO MOLEX INCORPORATED AND SHOULD NOT BE USED WITHOUT WRITTEN PERMISSION |              |                                   |                          |              |                          |                        |  |  |  |
|   |                    | A3   |   |              |                                   |                          |              |                          |                        |  |  |  |
|   |                    |  |   |              |                                   |                          |              |                          | SHEET NO.              |  |  |  |
|   |                    |  |   |              |                                   |                          |              |                          | 1 OF 6                 |  |  |  |

9 8 7 6 5 4 3 2 1

10 9 8 7 6 5 4 3 2 1

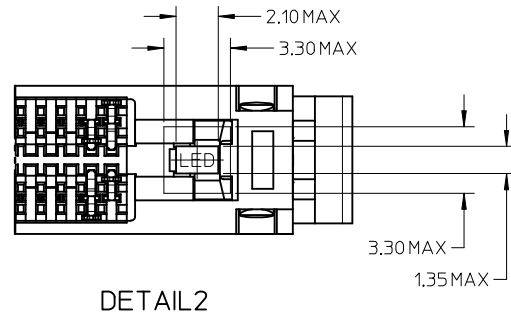
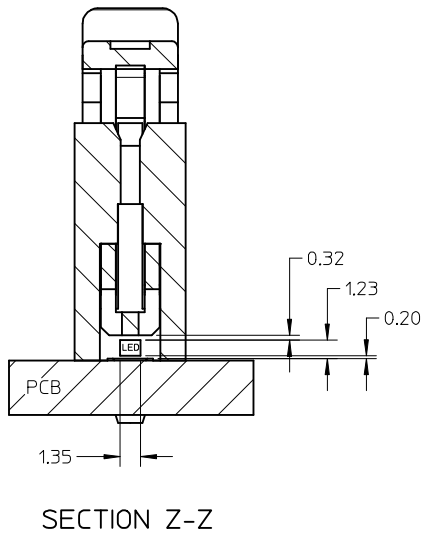
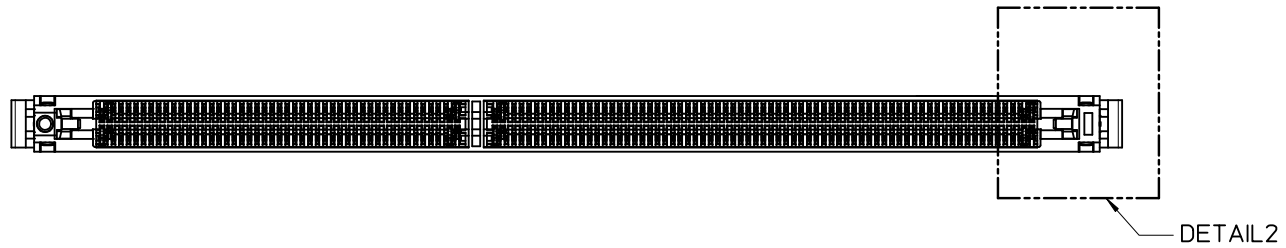
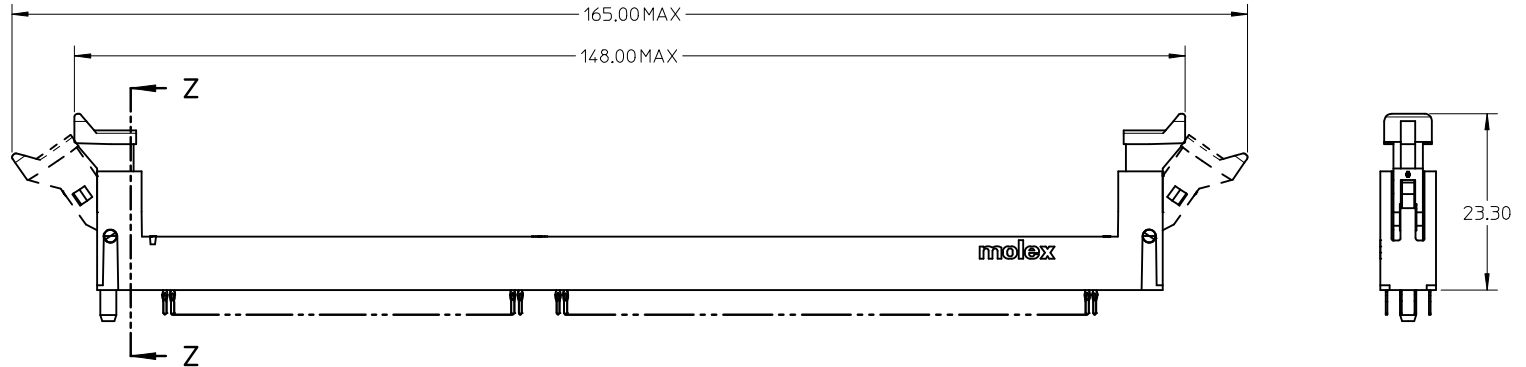


| <b>REMOVE PART NO.</b><br>EC NO: S2014-1201<br>DRWN:CGTAN 2014/04/22<br>CHKD:CCTEH 2014/06/11<br>APPR:SHLENI 2014/06/11 | QUALITY SYMBOLS<br>$F_A=0$<br>$F_G=0$<br>$F_P=0$        | GENERAL TOLERANCES (UNLESS SPECIFIED)<br><table border="1"> <thead> <tr> <th></th> <th>mm</th> <th>INCH</th> </tr> </thead> <tbody> <tr> <td>4 PLACES</td> <td>± ---</td> <td>± ---</td> </tr> <tr> <td>3 PLACES</td> <td>± ---</td> <td>± ---</td> </tr> <tr> <td>2 PLACES</td> <td>± 0.2</td> <td>± ---</td> </tr> <tr> <td>1 PLACE</td> <td>± ---</td> <td>± ---</td> </tr> </tbody> </table> |                    | mm  | INCH                         | 4 PLACES            | ± --- | ± --- | 3 PLACES | ± --- | ± --- | 2 PLACES | ± 0.2 | ± --- | 1 PLACE | ± --- | ± --- | DIMENSION STYLE<br><b>MM ONLY</b> | SCALE<br>NTS | DESIGN UNITS<br>METRIC | THIRD ANGLE PROJECTION |
|---|---|--|--------------------|---|------------------------------|---------------------|-------|-------|----------|-------|-------|----------|-------|-------|---------|-------|-------|-----------------------------------|--------------|------------------------|------------------------|
|   |   | mm   | INCH               |   |                              |                     |       |       |          |       |       |          |       |       |         |       |       |                                   |              |                        |                        |
|   | 4 PLACES  | ± ---  | ± ---              |   |                              |                     |       |       |          |       |       |          |       |       |         |       |       |                                   |              |                        |                        |
|   | 3 PLACES  | ± ---  | ± ---              |   |                              |                     |       |       |          |       |       |          |       |       |         |       |       |                                   |              |                        |                        |
| 2 PLACES  | ± 0.2   | ± ---  |                    |   |                              |                     |       |       |          |       |       |          |       |       |         |       |       |                                   |              |                        |                        |
| 1 PLACE   | ± ---   | ± ---  |                    |   |                              |                     |       |       |          |       |       |          |       |       |         |       |       |                                   |              |                        |                        |
| DESCRIPTION<br>REMOVE PART NO.  | DRAFT WHERE APPLICABLE<br>MUST REMAIN WITHIN DIMENSIONS | DRAWN BY<br>CMTEO  | DATE<br>2008/06/19 | TITLE<br>DDR3 DIMM, 100MM PITCH<br>240 CKTS, VERT PRESS-FIT<br>LOW-LLCR |                              |                     |       |       |          |       |       |          |       |       |         |       |       |                                   |              |                        |                        |
| REV<br>A2   |   | CHECKED BY<br>CGTAN  | DATE<br>2008/07/25 | MOLEX INCORPORATED  |                              |                     |       |       |          |       |       |          |       |       |         |       |       |                                   |              |                        |                        |
|   |   | APPROVED BY<br>SHLENI  | DATE<br>2010/03/29 | MATERIAL NO.<br>SEE TABLE   | DOCUMENT NO.<br>SD-78443-001 | SHEET NO.<br>2 OF 6 |       |       |          |       |       |          |       |       |         |       |       |                                   |              |                        |                        |

9 8 7 6 5 4 3 2 1

10 9 8 7 6 5 4 3 2 1

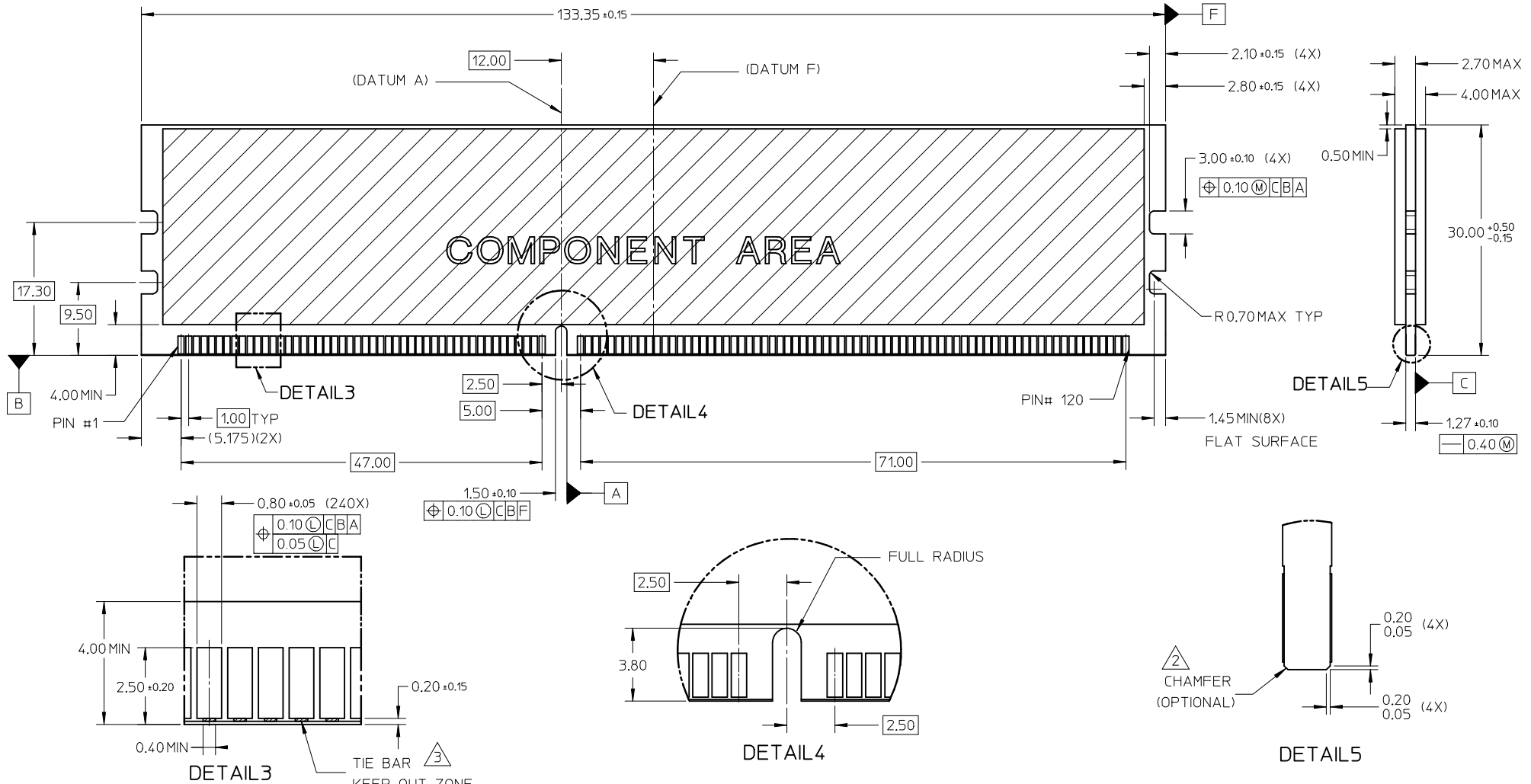
# CONNECTOR WITH CLEAR LATCHES



|   |  |  |   |  |   |
|---|--|--|---|--|---|
| <b>REMOVE PART NO.</b><br>EC NO: S2014-1201<br>DRWN:CGTAN 2014/04/22<br>CHKD:CCTEH 2014/06/11<br>APPR:SHLENI 2014/06/11 | QUALITY SYMBOLS<br>$F_A=0$<br>$F_G=0$<br>$F_P=0$   | GENERAL TOLERANCES (UNLESS SPECIFIED)<br>mm INCH<br>4 PLACES ± --- ± ---<br>3 PLACES ± --- ± ---<br>2 PLACES ± 0.2 ± ---<br>1 PLACE ± --- ± ---<br>ANGULAR ± 1 ° | DIMENSION STYLE<br><b>MM ONLY</b><br>DRAWN BY: CMTEO DATE: 2008/06/19<br>CHECKED BY: CGTAN DATE: 2008/07/25<br>APPROVED BY: SHLENI DATE: 2010/03/29 | SCALE: NTS<br>DESIGN UNITS: METRIC<br>THIRD ANGLE PROJECTION | TITLE: DDR3 DIMM, 100MM PITCH<br>240 CKTS, VERT PRESS-FIT<br>LOW-LLCR |
|   | MATERIAL NO. SEE TABLE   | DOCUMENT NO. SD-78443-001  | SHEET NO. 3 OF 6  |  |   |
|   | DRAFT WHERE APPLICABLE MUST REMAIN WITHIN DIMENSIONS   |  |   |  |   |
|   | SIZE: A3 THIS DRAWING CONTAINS INFORMATION THAT IS PROPRIETARY TO MOLEX INCORPORATED AND SHOULD NOT BE USED WITHOUT WRITTEN PERMISSION |  |   |  |   |

9 8 7 6 5 4 3 2 1

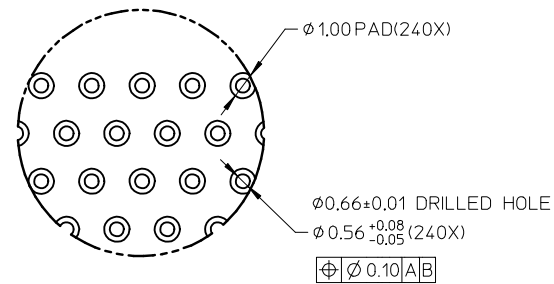
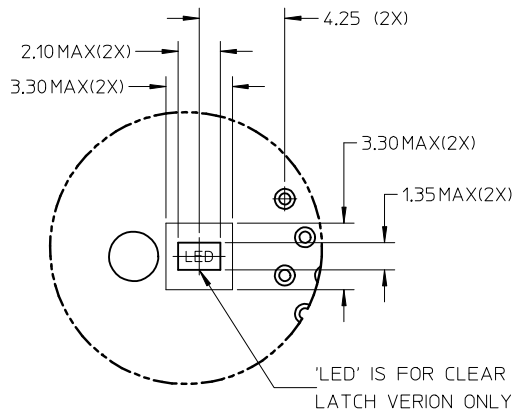
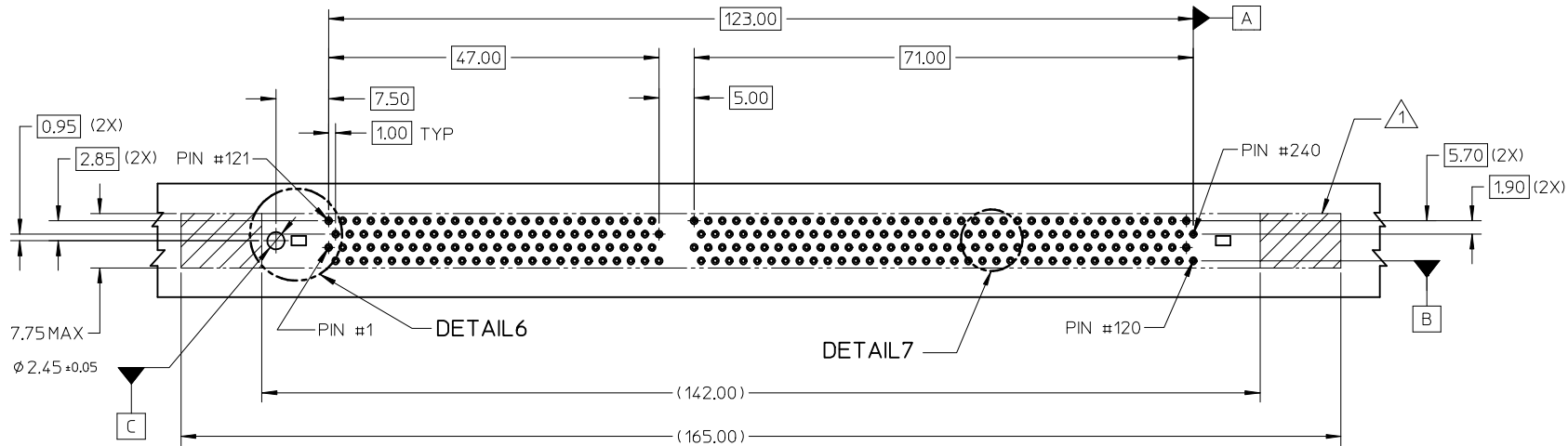
MODULE CARD  
 DDR3 DUAL IN-LINE MEMORY MODULE FAMILY 1.00MM CONTACT CENTERS  
 (JEDEC MO-269, ISSUE A, 12/05)



- NOTES:
- RECOMMENDED PLATING FOR CONTACT PADS:  
 PREFERRED: 0.76 MICROMETERS GOLD PLATING MIN  
 OVER 2.00 MICROMETERS NICKEL  
 ALTERNATIVE: 0.05-0.75 MICROMETERS GOLD PLATING  
 OVER 2.00 MICROMETERS NICKEL MUST USE AN ELECTRONIC  
 CONTACT GRADE CORROSIVE BARRIER LUBRICANT
  - CHAMFER IS OPTIONAL AND IS NOT TO HIT THE GOLD PADS
  - LEADING EDGE OF GOLD PADS SPECIFIED BY KEEPOUT ZONE  
 SHALL BE FREE OF BURRS AND EXTERNAL TIE BARS.

|   |  |  |                |                            |  |                    |   |                        |                     |  |
|---|--|--|----------------|----------------------------|--|--------------------|---|------------------------|---------------------|--|
| REMOVE PART NO.<br>EC NO: S2014-1201<br>DRWN:CGTAN 2014/04/22<br>CHKD:CTEH 2014/06/11<br>APPR:SHLENI 2014/06/11 | QUALITY SYMBOLS<br>F <sub>A</sub> =0<br>F <sub>E</sub> =0<br>F <sub>P</sub> =0 | GENERAL TOLERANCES (UNLESS SPECIFIED)                      |                | DIMENSION STYLE<br>MM ONLY |  | SCALE<br>NTS       | DESIGN UNITS<br>METRIC  | THIRD ANGLE PROJECTION |                     |  |
|   |  |  | mm             | INCH                       | DRAWN BY<br>CMTEO  | DATE<br>2008/06/19 | TITLE<br>DDR3 DIMM, 100MM PITCH<br>240 CKTS, VERT PRESS-FIT<br>LOW-LLCR |                        |                     |  |
|   |  |  | 4 PLACES ± --- | ± ---                      | CHECKED BY<br>CGTAN  | DATE<br>2008/07/25 | MOLEX INCORPORATED  |                        |                     |  |
|   |  |  | 3 PLACES ± --- | ± ---                      | APPROVED BY<br>SHLENI  | DATE<br>2010/03/29 | DOCUMENT NO.<br>SD-78443-001  |                        | SHEET NO.<br>4 OF 6 |  |
| A2  | REV  | DRAFT WHERE APPLICABLE<br>MUST REMAIN<br>WITHIN DIMENSIONS |                | SIZE<br>A3                 | THIS DRAWING CONTAINS INFORMATION THAT IS PROPRIETARY TO MOLEX<br>INCORPORATED AND SHOULD NOT BE USED WITHOUT WRITTEN PERMISSION |                    |   |                        |                     |  |

10 9 8 7 6 5 4 3 2 1



DETAIL 6

DETAIL 7

NOTE:


1 KEEP OUT AREA IS THE AREA WHERE THE CONNECTOR (INCLUDING LATCH) IS MOUNTED ON THE PCB.

|   |  |                                       |                              |   |                    |  |                        |                              |  |                     |  |
|---|--|---------------------------------------|------------------------------|---|--------------------|--|------------------------|------------------------------|--|---------------------|--|
| <b>REMOVE PART NO.</b><br>EC NO: S2014-1201<br>DRWN:CGTAN 2014/04/22<br>CHKD:CCTEH 2014/06/11<br>APPR:SHLENI 2014/06/11 | QUALITY SYMBOLS<br>$F_A=0$<br>$F_C=0$<br>$F_P=0$ | GENERAL TOLERANCES (UNLESS SPECIFIED) |                              | DIMENSION STYLE<br><b>MM ONLY</b>   |                    | SCALE<br>NTS   | DESIGN UNITS<br>METRIC | THIRD ANGLE PROJECTION       |  |                     |  |
|   |  | 4 PLACES $\pm$ --- $\pm$ ---          | 3 PLACES $\pm$ --- $\pm$ --- | DRAWN BY<br>CMTEO   | DATE<br>2008/06/19 | TITLE<br><b>DDR3 DIMM, 100MM PITCH<br/>                 240 CKTS, VERT PRESS-FIT<br/>                 LOW-LLCR</b> |                        |                              |  |                     |  |
|   |  | 2 PLACES $\pm 0.2$ $\pm$ ---          | 1 PLACE $\pm$ --- $\pm$ ---  | CHECKED BY<br>CGTAN   | DATE<br>2008/07/25 | MOLEX INCORPORATED   |                        |                              |  |                     |  |
|   |  | ANGULAR $\pm 1^\circ$                 |                              | APPROVED BY<br>SHLENI   | DATE<br>2010/03/29 | MATERIAL NO.<br>SEE TABLE  |                        | DOCUMENT NO.<br>SD-78443-001 |  | SHEET NO.<br>5 OF 6 |  |
| DRAFT WHERE APPLICABLE MUST REMAIN WITHIN DIMENSIONS  |  | SIZE<br>A3                            |                              | THIS DRAWING CONTAINS INFORMATION THAT IS PROPRIETARY TO MOLEX INCORPORATED AND SHOULD NOT BE USED WITHOUT WRITTEN PERMISSION |                    |  |                        |                              |  |                     |  |

9 8 7 6 5 4 3 2 1

TIN OPTION

| PART NO.   | VOLTAGE KEY POS. | VOLTAGE | DIM 'P'   | RECOMMENDED PCB THICKNESS | CONTACT AREA PLATING OPTION  | SOLDERTAIL PLATING OPTION  | HOUSING COLOUR      | LATCH COLOUR        | PRODUCT SPECIFICATION |
|------------|------------------|---------|-----------|---------------------------|--|--|---------------------|---------------------|-----------------------|
| 78443-1001 | CENTER           | 1.5V    | 3.30±0.25 | 3.60                      | 0.76 MICROMETER/ 30 MICROINCH MIN.<br>GOLD OVER 1.27 MICROMETER/ 50 MICROINCH<br>MIN NICKEL UNDERPLATE | 0.38-1.52 MICROMETER/15-60 MICROINCH<br>TIN OVER 1.27MICROMETER/ 50 MICROINCH<br>MIN NICKEL UNDERPLATE | BLACK               | BLACK               | PS-78443-001          |
| 78443-1002 |                  |         |           |                           |  |  | NATURAL (OFF-WHITE) | NATURAL (OFF-WHITE) |                       |
| 78443-0107 |                  |         |           |                           |  |  | BLACK               | NATURAL (OFF-WHITE) |                       |

|   |                   |  |             |   |              |   |                        |                        |  |
|---|-------------------|--|-------------|---|--------------|---|------------------------|------------------------|--|
| <b>REMOVE PART NO.</b><br>EC NO: S2014-1201<br>DRWN:CGTAN 2014/04/22<br>CHKD:CCTEH 2014/06/11<br>APPR:SHLENI 2014/06/11 | QUALITY SYMBOLS   | GENERAL TOLERANCES (UNLESS SPECIFIED)                |             | DIMENSION STYLE<br><b>MM ONLY</b>   |              | SCALE<br>NTS  | DESIGN UNITS<br>METRIC | THIRD ANGLE PROJECTION |  |
|   | ▽ <sub>A</sub> =0 | mm   | INCH        | DRAWN BY  | DATE         | TITLE   |                        |                        |  |
|   | ▽ <sub>B</sub> =0 | 4 PLACES ± ---                                       | ± ---       | CMTEO   | 2008/06/19   | DDR3 DIMM, 100MM PITCH<br>240 CKTS, VERT PRESS-FIT<br>LOW-LLCR  |                        |                        |  |
|   | ▽ <sub>P</sub> =0 | 3 PLACES ± ---                                       | ± ---       | CHECKED BY  | DATE         |  <b>MOLEX INCORPORATED</b> |                        |                        |  |
|   | 2 PLACES ± 0.2    | ± ---  | CGTAN       | 2008/07/25  |              |   |                        |                        |  |
|   | 1 PLACE ± ---     | ± ---  | APPROVED BY | DATE  | SD-78443-001 |   |                        |                        |  |
|   |                   | ANGULAR ± 1 °  |             | SHLENI  | 2010/03/29   | DOCUMENT NO.  |                        | SHEET NO.              |  |
|   |                   | DRAFT WHERE APPLICABLE MUST REMAIN WITHIN DIMENSIONS |             | MATERIAL NO.  |              | SD-78443-001  |                        | 6 OF 6                 |  |
| A2  | REV               | SIZE   |             | THIS DRAWING CONTAINS INFORMATION THAT IS PROPRIETARY TO MOLEX INCORPORATED AND SHOULD NOT BE USED WITHOUT WRITTEN PERMISSION |              |   |                        |                        |  |
|   |                   | A3   |             |   |              |   |                        |                        |  |