



Chipsmall Limited consists of a professional team with an average of over 10 year of expertise in the distribution of electronic components. Based in Hongkong, we have already established firm and mutual-benefit business relationships with customers from,Europe,America and south Asia,supplying obsolete and hard-to-find components to meet their specific needs.

With the principle of “Quality Parts,Customers Priority,Honest Operation,and Considerate Service”,our business mainly focus on the distribution of electronic components. Line cards we deal with include Microchip,ALPS,ROHM,Xilinx,Pulse,ON,Everlight and Freescale. Main products comprise IC,Modules,Potentiometer,IC Socket,Relay,Connector.Our parts cover such applications as commercial,industrial, and automotives areas.

We are looking forward to setting up business relationship with you and hope to provide you with the best service and solution. Let us make a better world for our industry!



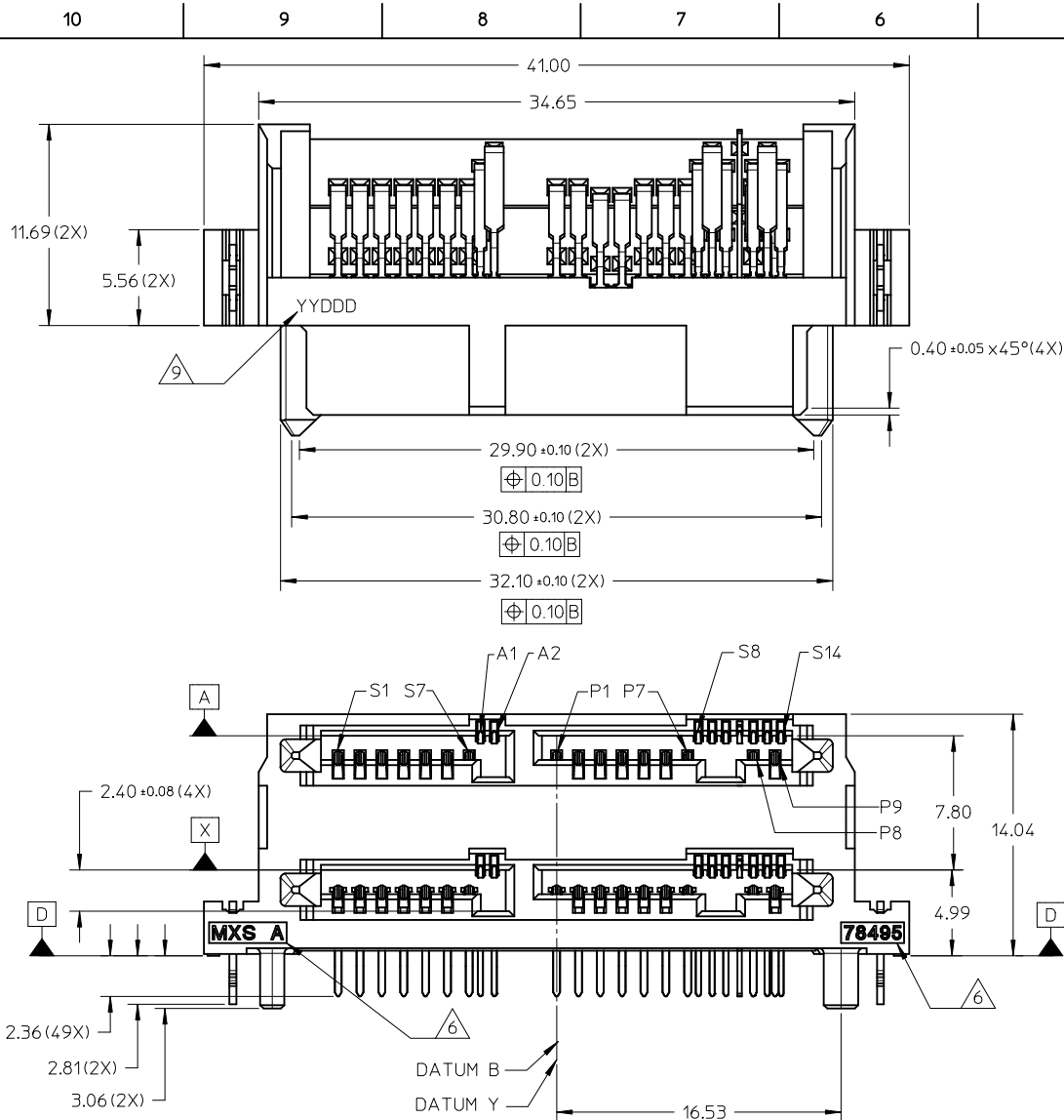
Contact us

Tel: +86-755-8981 8866 Fax: +86-755-8427 6832

Email & Skype: info@chipsmall.com Web: www.chipsmall.com

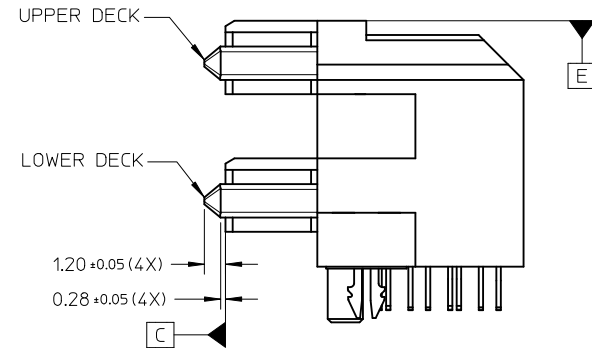
Address: A1208, Overseas Decoration Building, #122 Zhenhua RD., Futian, Shenzhen, China





NOTES:

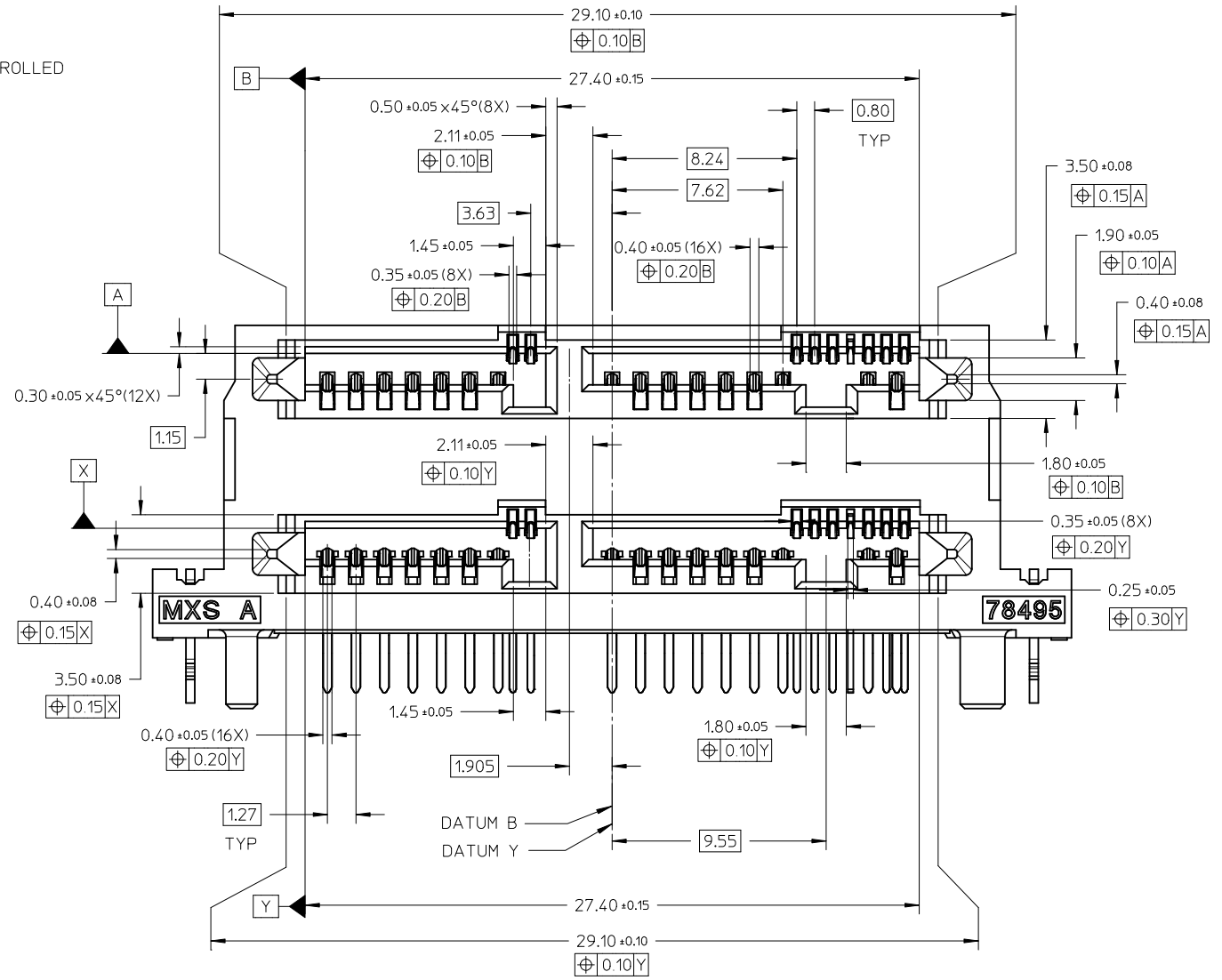
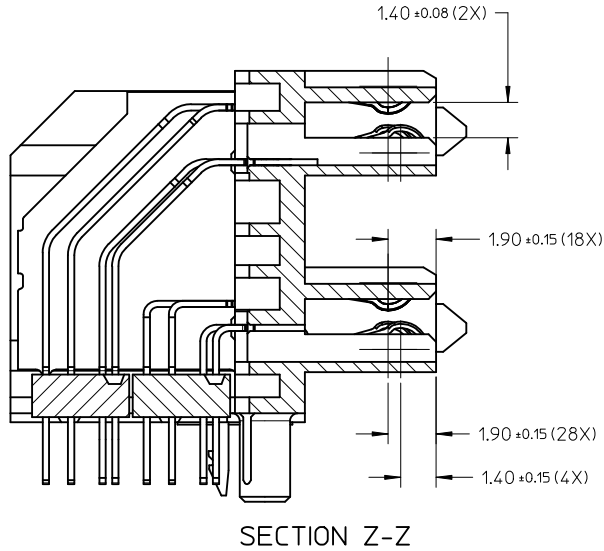
1. MATERIAL : LCP, GLASS FILLED, UL 94V-0, BLACK
TERMINAL/FORKLOCK : COPPER ALLOY
2. FINISHES :
TERMINAL :
CONTACT: 0.76µm MIN. SELECTIVE GOLD OVER
1.27µm MIN. NICKEL UNDERPLATE
SOLDERTAIL: 2.54µm MIN. TIN OVER
1.27µm MIN. NICKEL UNDERPLATE
FORKLOCK:
OVERALL: 2.54µm MIN. TIN OVER
1.27µm MIN. NICKEL UNDERPLATE
3. PRODUCT SPECIFICATION : PS-78495-001
4. PACKAGING SPECIFICATION : PK-78495-001
5. MATES WITH : MOLEX MICRO SAS PLUGS
APPLICABLE TO MOLEX PART NO: 78394 SERIES.
6. MOLEX LOGO AND PART NUMBER LOCATED APPROXIMATELY AS SHOWN
7. THIS PRODUCT IS COMPLIANT TO RoHS DIRECTIVE WITH THE FOLLOWING BANNED SUBSTANCES - LEAD, MERCURY, CADMIUM, HEXAVALENT CHROMIUM, POLYBROMINATED BIPHENYLS AND POLYBROMINATED DIPHENYLS ETHERS.
8. NON FUNCTIONAL CORING MAY VARY.
9. DATE CODE LOCATED APPROXIMATELY AS SHOWN.
10. PINCOVER TO BE PUSHED BACKWARDS TO MAXIMUM WHEN MEASURING.
11. VIEWS ON PAGES 1,2,3 AND 5 ARE WITHOUT PINCOVER.
12. PART TO INCLUDE PINCOVER WHEN SHIPPED.



ADD PINCOVER EC NO: S2010-0900 DRWN:WJAP CHKD:CGOH APPR:BOKOK	DESCRIPTION 2010/09/24 2010/10/12 2010/10/13	QUALITY SYMBOLS	GENERAL TOLERANCES (UNLESS SPECIFIED)	DIMENSION STYLE	SCALE	DESIGN UNITS	THIRD ANGLE PROJECTION
		$F_A=0$ $F_C=0$ $F_P=0$	mm INCH 4 PLACES ± --- ± --- 3 PLACES ± --- ± --- 2 PLACES ± 0.20 ± --- 1 PLACE ± --- ± --- ANGULAR ± 3 °	MM ONLY	NTS	METRIC	
			DRAFT WHERE APPLICABLE MUST REMAIN WITHIN DIMENSIONS	DRAWN BY	DATE	TITLE	
				APPROVED BY	DATE		
A	REV			MATERIAL NO.	DOCUMENT NO.		
				78495-0001	SD-78495-001		
				SIZE	THIS DRAWING CONTAINS INFORMATION THAT IS PROPRIETARY TO MOLEX INCORPORATED AND SHOULD NOT BE USED WITHOUT WRITTEN PERMISSION		
				A3			

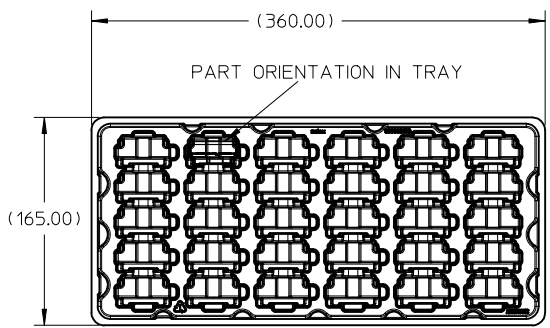
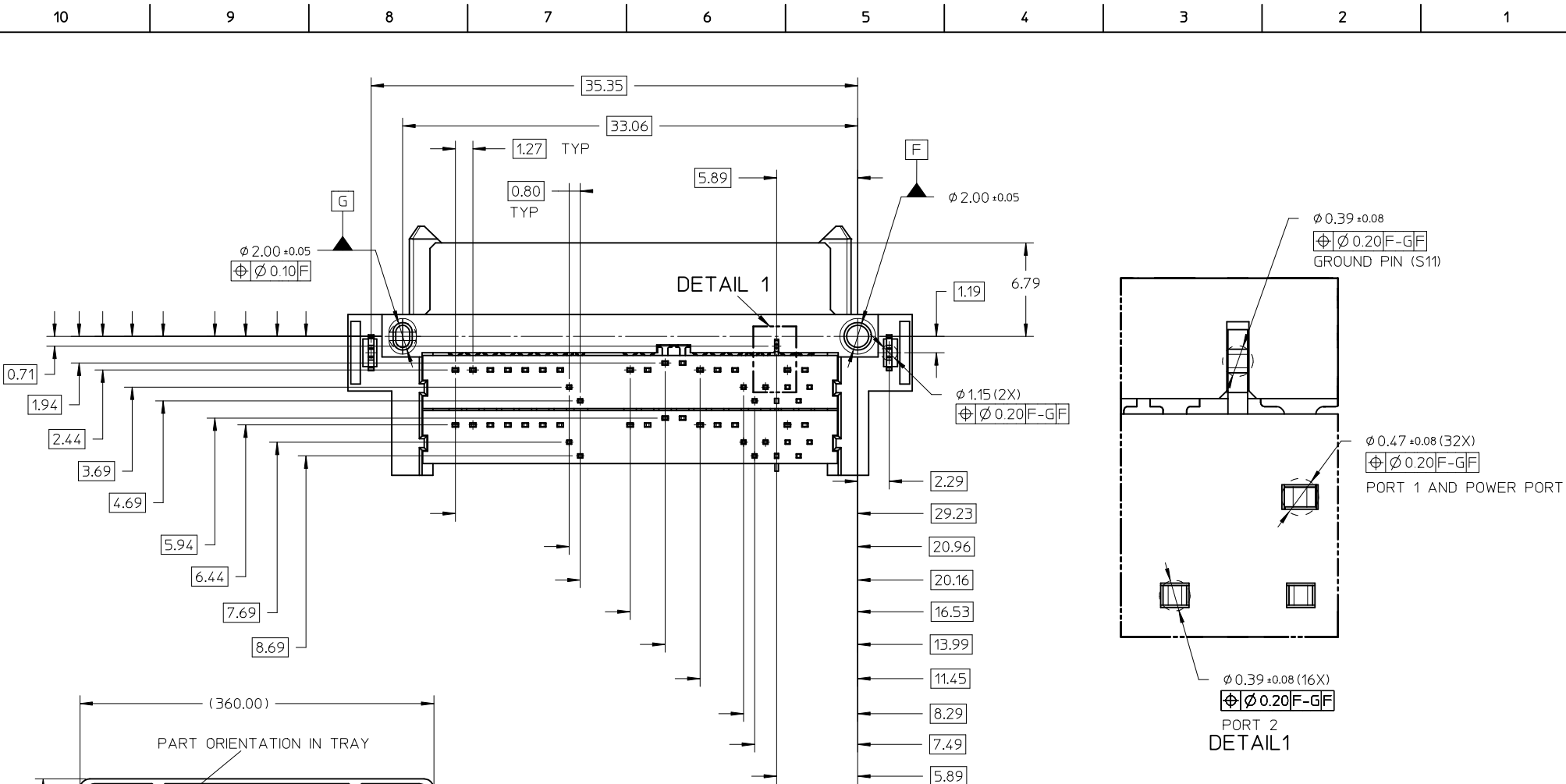
10 9 8 7 6 5 4 3 2 1

DIMENSIONAL CONTROL SHOWN IN THIS SHEET ARE CONTROLLED TO THE DATUMS OF EACH DECK RESPECTIVELY.



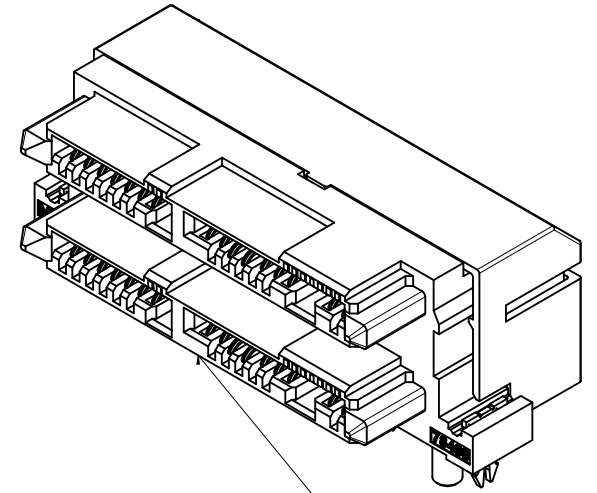
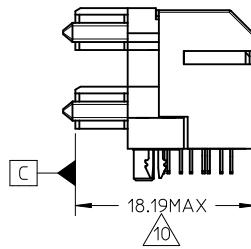
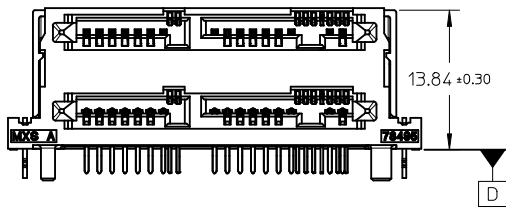
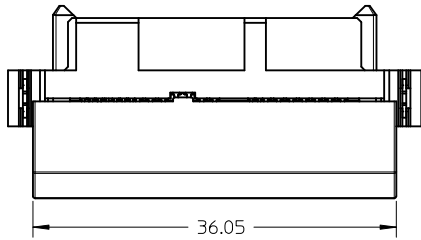
ADD PINCOVER EC NO: S2010-0900 DRWN: JYAP CHKD: CGOH APPR: BOKOK	2010/09/24 2010/10/12 2010/10/13	QUALITY SYMBOLS $F_A=0$ $F_C=0$ $F_B=0$	GENERAL TOLERANCES (UNLESS SPECIFIED)		DIMENSION STYLE MM ONLY		SCALE NTS	DESIGN UNITS METRIC	THIRD ANGLE PROJECTION		
				mm	INCH	DRAWN BY KHL IM	DATE 2009/10/12	TITLE MICRO SAS RECEPTACLE DUAL STACK R/A T/H 7.8MM HEIGHT			
			4 PLACES	± ---	± ---	CHECKED BY CGOH	DATE 2009/12/03	MOLEX INCORPORATED			
			3 PLACES	± ---	± ---	APPROVED BY BOKOK	DATE 2009/12/03	DOCUMENT NO. 78495-0001			
			2 PLACES	± 0.20	± ---	SHEET NO. 2 OF 5					
			1 PLACE	± ---	± ---	THIS DRAWING CONTAINS INFORMATION THAT IS PROPRIETARY TO MOLEX INCORPORATED AND SHOULD NOT BE USED WITHOUT WRITTEN PERMISSION					
			ANGULAR ± 3 °		DRAFT WHERE APPLICABLE MUST REMAIN WITHIN DIMENSIONS						

9 8 7 6 5 4 3 2 1

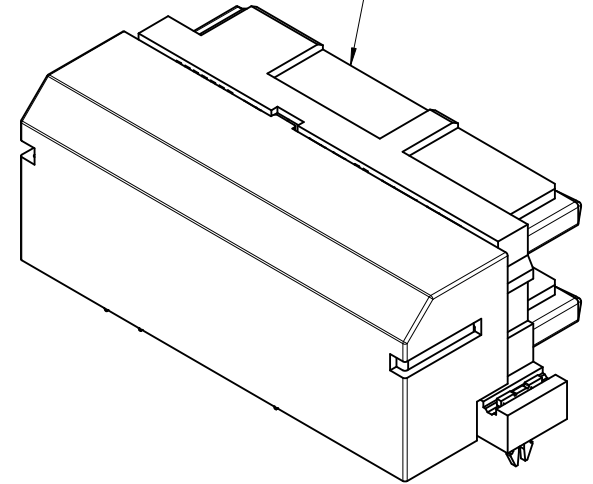


ADD PINCOVER EC NO: S2010-0900 DRWN:WJAP 2010/09/24 CHKD:CGOH 2010/10/12 APPR:BOKOK 2010/10/13	QUALITY SYMBOLS $F_A=0$ $F_G=0$ $F_P=0$	GENERAL TOLERANCES (UNLESS SPECIFIED) <table border="1"> <thead> <tr> <th></th> <th>mm</th> <th>INCH</th> </tr> </thead> <tbody> <tr> <td>4 PLACES</td> <td>± ---</td> <td>± ---</td> </tr> <tr> <td>3 PLACES</td> <td>± ---</td> <td>± ---</td> </tr> <tr> <td>2 PLACES</td> <td>± 0.20</td> <td>± ---</td> </tr> <tr> <td>1 PLACE</td> <td>± ---</td> <td>± ---</td> </tr> </tbody> </table>		mm	INCH	4 PLACES	± ---	± ---	3 PLACES	± ---	± ---	2 PLACES	± 0.20	± ---	1 PLACE	± ---	± ---	DIMENSION STYLE MM ONLY	SCALE NTS	DESIGN UNITS METRIC	THIRD ANGLE PROJECTION
		mm	INCH																		
	4 PLACES	± ---	± ---																		
	3 PLACES	± ---	± ---																		
2 PLACES	± 0.20	± ---																			
1 PLACE	± ---	± ---																			
	DRAFT WHERE APPLICABLE MUST REMAIN WITHIN DIMENSIONS	<table border="1"> <thead> <tr> <th>DRAWN BY</th> <th>DATE</th> <th>TITLE</th> </tr> </thead> <tbody> <tr> <td>KHL IM</td> <td>2009/10/12</td> <td rowspan="4"> MICRO SAS RECEPTACLE DUAL STACK R/A T/H 7.8MM HEIGHT </td> </tr> <tr> <td>CHECKED BY</td> <td>DATE</td> </tr> <tr> <td>APPROVED BY</td> <td>DATE</td> </tr> <tr> <td>BOKOK</td> <td>2009/12/03</td> </tr> </tbody> </table>	DRAWN BY	DATE	TITLE	KHL IM	2009/10/12	MICRO SAS RECEPTACLE DUAL STACK R/A T/H 7.8MM HEIGHT	CHECKED BY	DATE	APPROVED BY	DATE	BOKOK	2009/12/03	MOLEX INCORPORATED						
DRAWN BY	DATE	TITLE																			
KHL IM	2009/10/12	MICRO SAS RECEPTACLE DUAL STACK R/A T/H 7.8MM HEIGHT																			
CHECKED BY	DATE																				
APPROVED BY	DATE																				
BOKOK	2009/12/03																				
		MATERIAL NO. 78495-0001	DOCUMENT NO. SD-78495-001	SHEET NO. 3 OF 5																	
		THIS DRAWING CONTAINS INFORMATION THAT IS PROPRIETARY TO MOLEX INCORPORATED AND SHOULD NOT BE USED WITHOUT WRITTEN PERMISSION																			

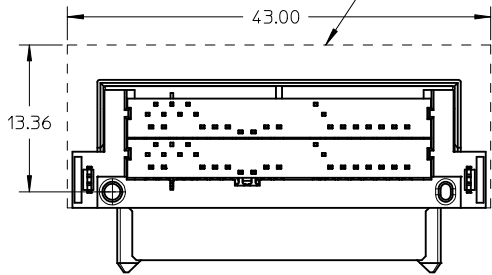
10 9 8 7 6 5 4 3 2 1



12 ASSEMBLY WITH PINCOVER

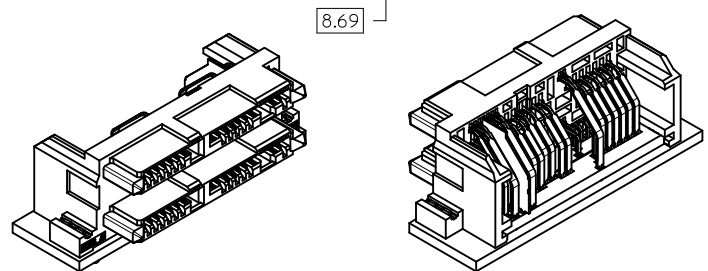
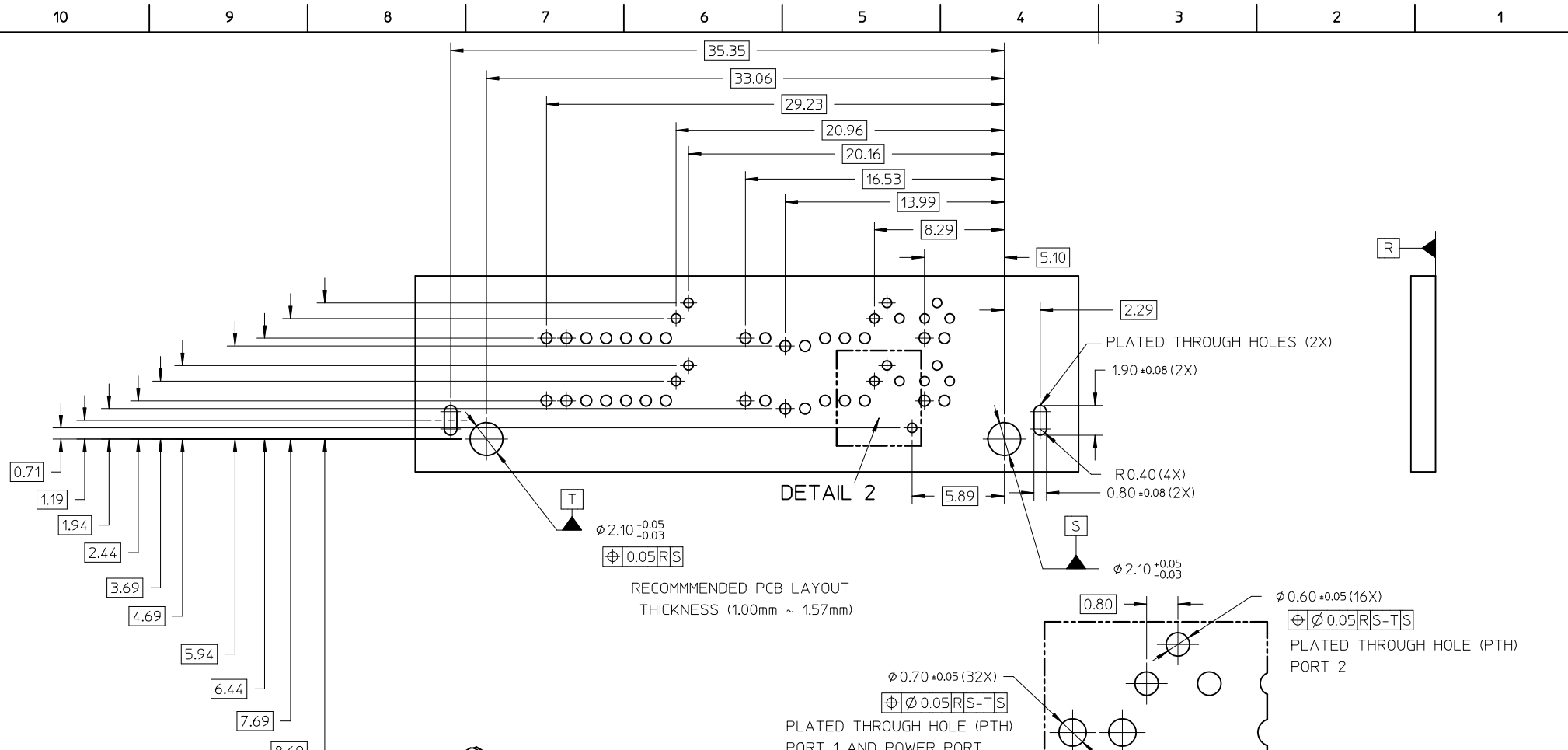


RECOMMENDED KEEP OUT AREA



ADD PINCOVER EC NO: S2010-0900 DRWN: JYAP CHKD: CGOH APPR: BOKOK	2010/09/24 2010/10/12 2010/10/13	QUALITY SYMBOLS $F_A=0$ $F_G=0$ $F_P=0$	GENERAL TOLERANCES (UNLESS SPECIFIED) mm INCH 4 PLACES ± --- ± --- 3 PLACES ± --- ± --- 2 PLACES ± 0.20 ± --- 1 PLACE ± --- ± --- ANGULAR ± 3°	DIMENSION STYLE MM ONLY DRAWN BY: KHL IM DATE: 2009/10/12 CHECKED BY: CGOH DATE: 2009/12/03 APPROVED BY: BOKOK DATE: 2009/12/03 MATERIAL NO.: 78495-0001	SCALE: NTS DESIGN UNITS: METRIC THIRD ANGLE PROJECTION	TITLE: MICRO SAS RECEPTACLE DUAL STACK R/A T/H 7.8MM HEIGHT MOLEX INCORPORATED DOCUMENT NO.: SD-78495-001	SHEET NO.: 4 OF 5
	DESCRIPTION: ADD PINCOVER	DRAFT WHERE APPLICABLE MUST REMAIN WITHIN DIMENSIONS	THIS DRAWING CONTAINS INFORMATION THAT IS PROPRIETARY TO MOLEX INCORPORATED AND SHOULD NOT BE USED WITHOUT WRITTEN PERMISSION				
	REV: A	SIZE: A3					

9 8 7 6 5 4 3 2 1



ASSEMBLY WITHOUT PINCOVER

RECOMMENDED PCB LAYOUT
THICKNESS (1.00mm ~ 1.57mm)

DETAIL 2

DETAIL 2

ADD PINCOVER EC NO: S2010-0900 DRWN:WJAP CHKD:CGOH APPR:BOKOK	2010/09/24 2010/10/12 2010/10/13	QUALITY SYMBOLS $F_A=0$ $F_C=0$ $F_P=0$	GENERAL TOLERANCES (UNLESS SPECIFIED)		DIMENSION STYLE MM ONLY		SCALE NTS	DESIGN UNITS METRIC	THIRD ANGLE PROJECTION		
			4 PLACES 3 PLACES 2 PLACES 1 PLACE	mm INCH	DRAWN BY KHL IM	DATE 2009/10/12	TITLE MICRO SAS RECEPTACLE DUAL STACK R/A T/H 7.8MM HEIGHT				
			ANGULAR ± 3 °		CHECKED BY CGOH	DATE 2009/12/03	MOLEX INCORPORATED				
	A		DESCRIPTION ADD PINCOVER	DRAFT WHERE APPLICABLE MUST REMAIN WITHIN DIMENSIONS	MATERIAL NO. 78495-0001	DATE 2009/12/03	DOCUMENT NO. SD-78495-001	SHEET NO. 5 OF 5			