



Chipsmall Limited consists of a professional team with an average of over 10 year of expertise in the distribution of electronic components. Based in Hongkong, we have already established firm and mutual-benefit business relationships with customers from,Europe,America and south Asia,supplying obsolete and hard-to-find components to meet their specific needs.

With the principle of “Quality Parts,Customers Priority,Honest Operation,and Considerate Service”,our business mainly focus on the distribution of electronic components. Line cards we deal with include Microchip,ALPS,ROHM,Xilinx,Pulse,ON,Everlight and Freescale. Main products comprise IC,Modules,Potentiometer,IC Socket,Relay,Connector.Our parts cover such applications as commercial,industrial, and automotives areas.

We are looking forward to setting up business relationship with you and hope to provide you with the best service and solution. Let us make a better world for our industry!



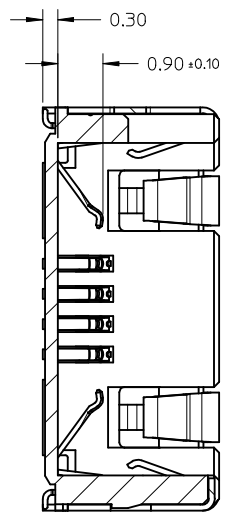
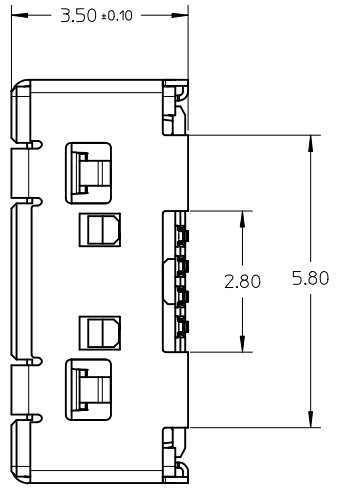
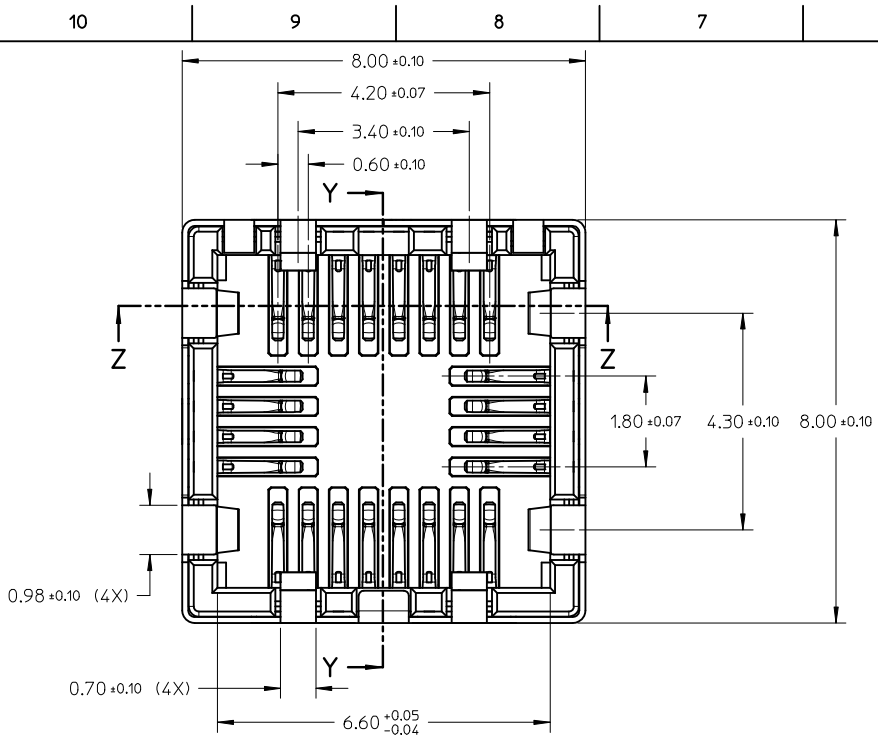
Contact us

Tel: +86-755-8981 8866 Fax: +86-755-8427 6832

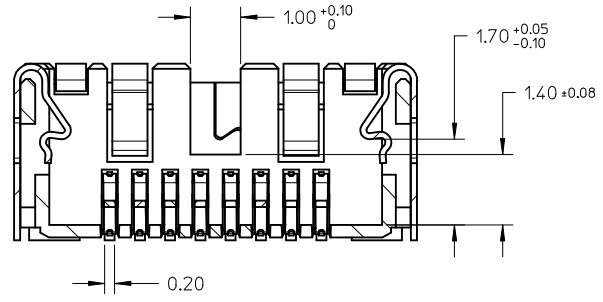
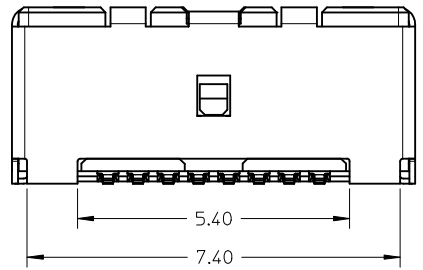
Email & Skype: info@chipsmall.com Web: www.chipsmall.com

Address: A1208, Overseas Decoration Building, #122 Zhenhua RD., Futian, Shenzhen, China





SECTION Y-Y

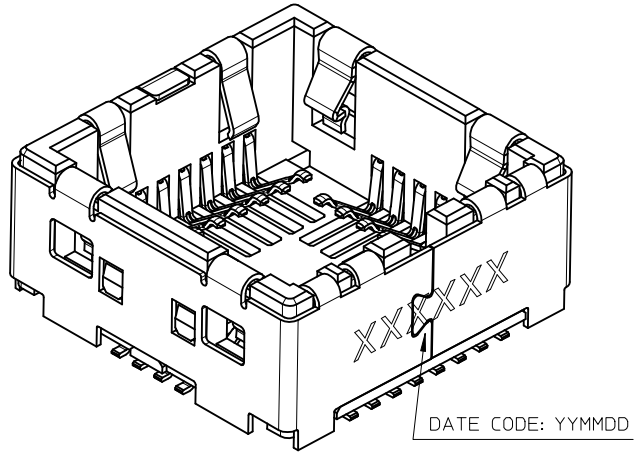
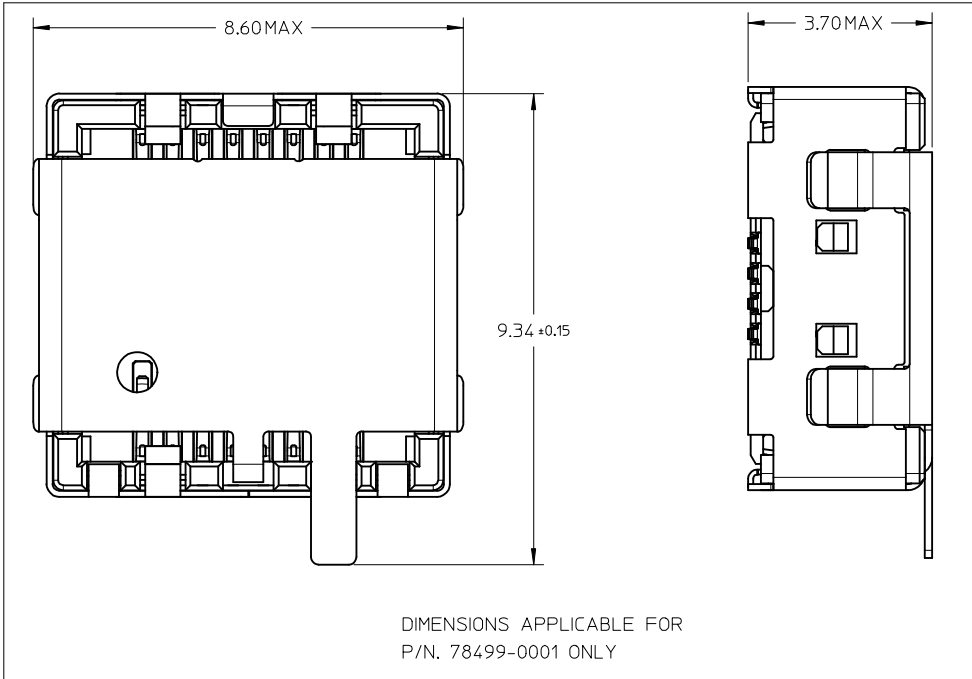


SECTION Z-Z

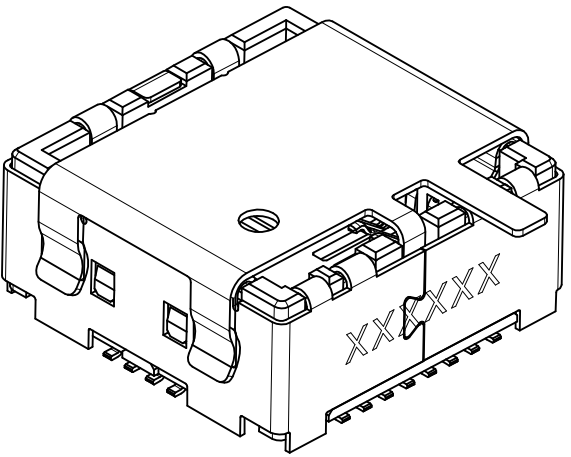
NOTES:

- MATERIALS
HOUSING: HIGH TEMPERATURE PLASTIC, BLACK
TERMINAL: COPPER ALLOY.
SHIELD : COPPER ALLOY.
- FINISHES
SHIELD : SOLDERABLE NICKEL PLATING OVERALL
TERMINAL: NICKEL UNDERPLATING 1.0 MICROMETER MIN OVERALL
GOLD PLATING 0.3 MICROMETER MIN ON CONTACT AREA
GOLD PLATING 0.02 MICROMETER MIN ON SOLDER TAIL
- PRODUCT SPECIFICATION : PS-78499-001
- PACKAGING : TAPE AND REEL. REFER TO PK-78499-001
- OVERALL COPLANARITY TO BE 0.08 MM MAX

REVISED EC NO: SH2014-0140 DRWN: YXZHENG CHKD: AYIN APPR: AYIN	DESCRIPTION 2013/07/17 2013/07/17 2013/10/24	QUALITY SYMBOLS	GENERAL TOLERANCES (UNLESS SPECIFIED)		DIMENSION STYLE MM ONLY		SCALE NTS	DESIGN UNITS METRIC	THIRD ANGLE PROJECTION		
		$F_A=0$	mm	INCH	DRAWN BY CMTEO	DATE 2009/03/31	TITLE 6.5*6.5 CAMERA SOCKET SMT BOTTOM CONTACT TYPE				
		$F_C=0$	4 PLACES ± ---	± ---	CHECKED BY CGTAN	DATE 2009/06/30	MOLEX INCORPORATED				
		$F_P=0$	3 PLACES ± ---	± ---	APPROVED BY SHLENI	DATE 2010/05/21					
		2 PLACES ± 0.15	± ---	MATERIAL NO.	DOCUMENT NO.	SHEET NO. 1 OF 4					
		1 PLACE ± ---	± ---	DRAFT WHERE APPLICABLE MUST REMAIN WITHIN DIMENSIONS		SEE TABLE		SD-78499-001			
A3	REV	THIS DRAWING CONTAINS INFORMATION THAT IS PROPRIETARY TO MOLEX INCORPORATED AND SHOULD NOT BE USED WITHOUT WRITTEN PERMISSION									



ISOMETRIC VIEW
P/N:78499-0002
WITHOUT PICK AND PLACE CAP

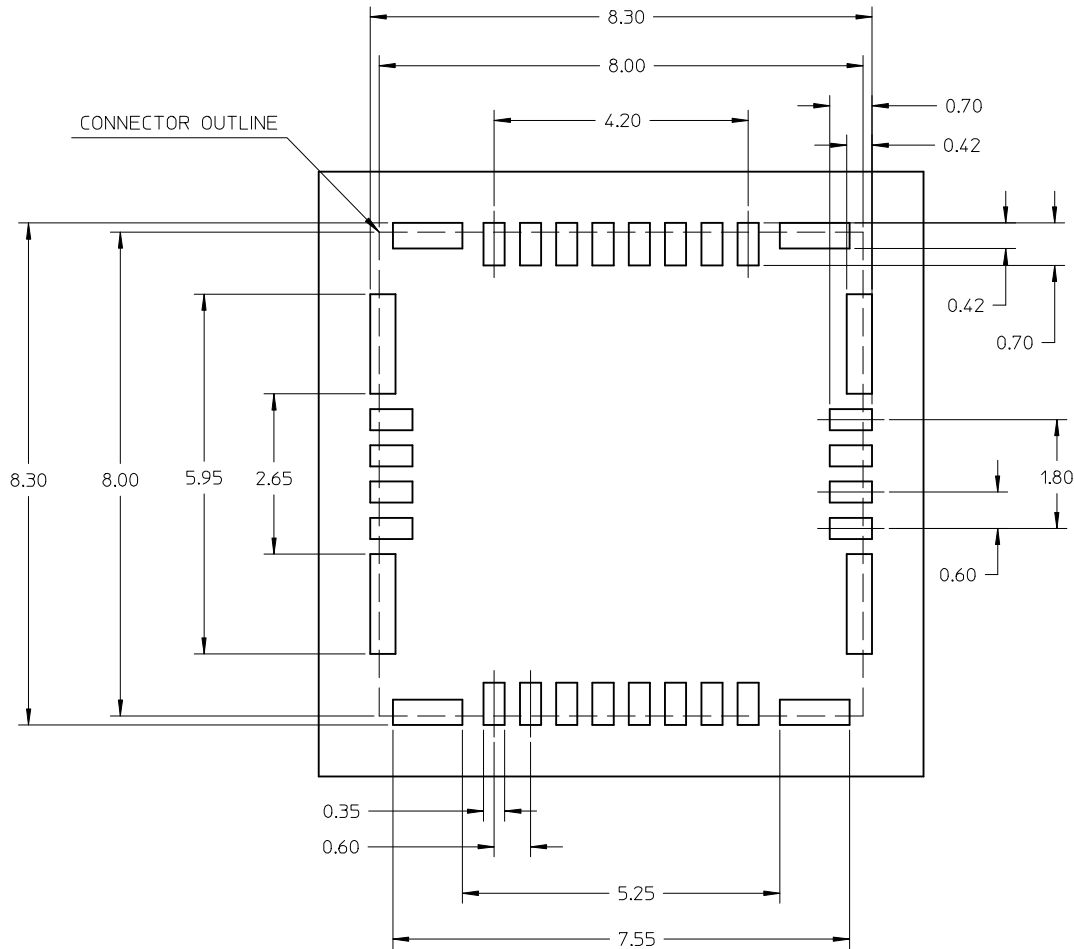


ISOMETRIC VIEW
P/N: 78499-0001
WITH PICK AND PLACE CAP

PART NO.	CAP CONFIGURATION	PACKAGING
78499-0001	WITH PICK AND PLACE CAP	TAPE AND REEL
78499-0002	WITHOUT PICK AND PLACE CAP	

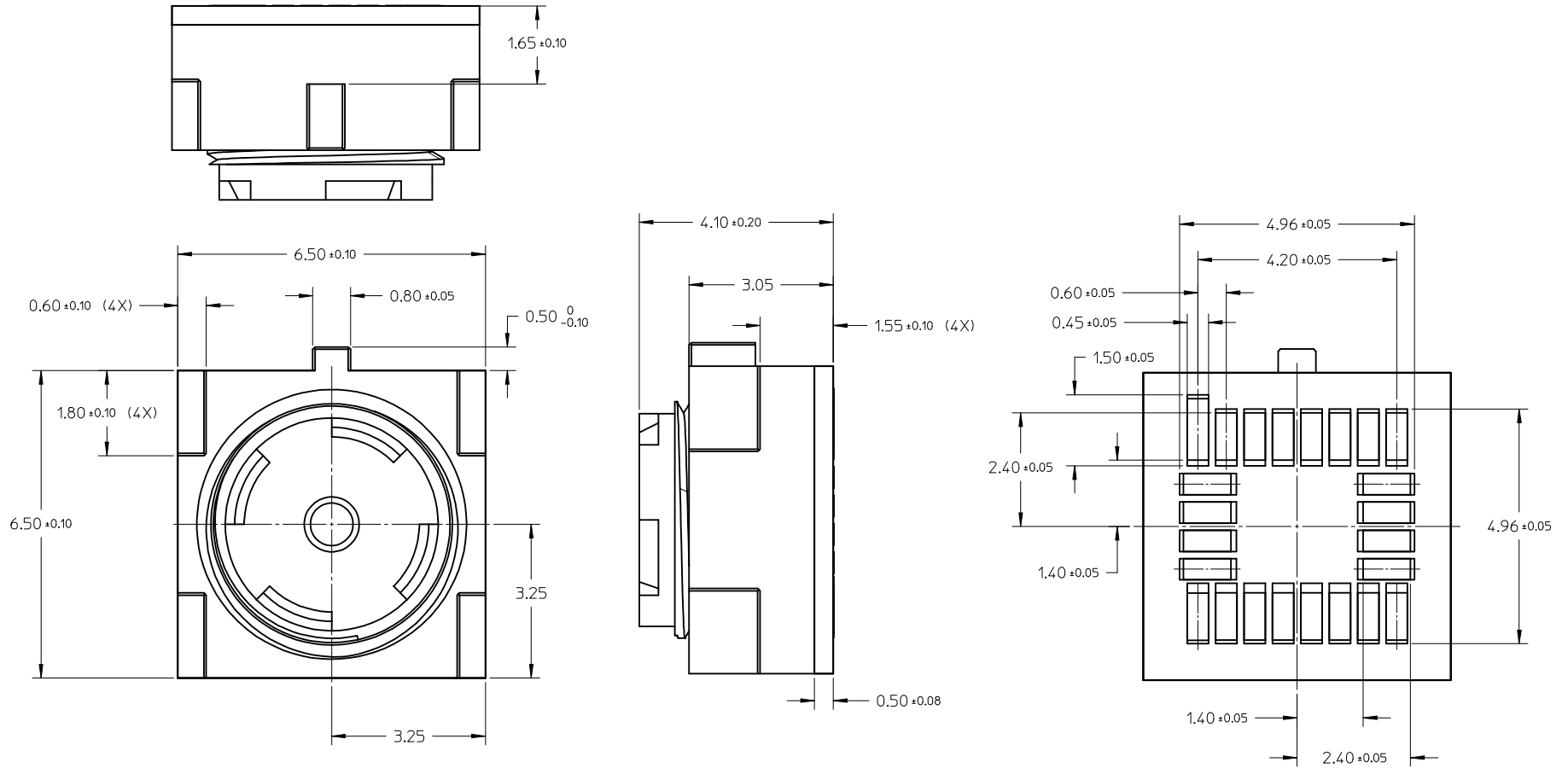
REVISED EC NO: SH2014-0140 DRWN: YXZHENG CHKD: AYIN APPR: AYIN 2013/07/17 2013/07/17 2013/10/24	QUALITY SYMBOLS $\nabla_A = 0$ $\nabla_C = 0$ $\nabla_B = 0$	GENERAL TOLERANCES (UNLESS SPECIFIED) <table border="1"> <thead> <tr> <th></th> <th>mm</th> <th>INCH</th> </tr> </thead> <tbody> <tr> <td>4 PLACES</td> <td>± ---</td> <td>± ---</td> </tr> <tr> <td>3 PLACES</td> <td>± ---</td> <td>± ---</td> </tr> <tr> <td>2 PLACES</td> <td>± 0.15</td> <td>± ---</td> </tr> <tr> <td>1 PLACE</td> <td>± ---</td> <td>± ---</td> </tr> </tbody> </table> ANGULAR ± 1 °		mm	INCH	4 PLACES	± ---	± ---	3 PLACES	± ---	± ---	2 PLACES	± 0.15	± ---	1 PLACE	± ---	± ---	DIMENSION STYLE MM ONLY DRAWN BY: CMTEO CHECKED BY: CGTAN APPROVED BY: SHLENI DATE: 2009/03/31 DATE: 2009/06/30 DATE: 2010/05/21	SCALE NTS	DESIGN UNITS METRIC	THIRD ANGLE PROJECTION	TITLE 6.5*6.5 CAMERA SOCKET SMT BOTTOM CONTACT TYPE
		mm	INCH																			
	4 PLACES	± ---	± ---																			
	3 PLACES	± ---	± ---																			
2 PLACES	± 0.15	± ---																				
1 PLACE	± ---	± ---																				
DRAFT WHERE APPLICABLE MUST REMAIN WITHIN DIMENSIONS	MATERIAL NO. SEE TABLE	DOCUMENT NO. SD-78499-001	SHEET NO. 2 OF 4																			
SIZE A3	THIS DRAWING CONTAINS INFORMATION THAT IS PROPRIETARY TO MOLEX INCORPORATED AND SHOULD NOT BE USED WITHOUT WRITTEN PERMISSION																					

RECOMMENDED PCB LAYOUT



REVISED EC NO: SH2014-0140 DRWN: YXZHENG CHKD: AYIN APPR: AYIN 2013/07/17 2013/07/17 2013/10/24	QUALITY SYMBOLS	GENERAL TOLERANCES (UNLESS SPECIFIED)		DIMENSION STYLE	SCALE	DESIGN UNITS	THIRD ANGLE PROJECTION
	$F_A=0$	mm	INCH	MM ONLY	NTS	METRIC	
	$F_G=0$	4 PLACES ± ---	± ---	DRAWN BY	DATE	TITLE	
	$F_P=0$	3 PLACES ± ---	± ---	CMTEO	2009/03/31	6.5*6.5 CAMERA SOCKET SMT BOTTOM CONTACT TYPE	
	2 PLACES ± 0.15	± ---	CHECKED BY	DATE	MOLEX INCORPORATED		
	1 PLACE ± ---	± ---	CGTAN	2009/06/30	DOCUMENT NO.		SHEET NO.
	ANGULAR ± 1°		APPROVED BY	DATE	SD-78499-001		3 OF 4
	DRAFT WHERE APPLICABLE MUST REMAIN WITHIN DIMENSIONS		SHLENI	2010/05/21	SEE TABLE		
A3			MATERIAL NO.	THIS DRAWING CONTAINS INFORMATION THAT IS PROPRIETARY TO MOLEX INCORPORATED AND SHOULD NOT BE USED WITHOUT WRITTEN PERMISSION			

APPLICABLE CAMERA MODULE



REVISED EC NO: SH2014-0140 DRWN: YXZHENG CHKD: AYIN APPR: AYIN	2013/07/17 2013/07/17 2013/10/24	REV DESCRIPTION	QUALITY SYMBOLS $F_A=0$ $F_C=0$ $F_P=0$	GENERAL TOLERANCES (UNLESS SPECIFIED) <table border="1" style="width: 100%; border-collapse: collapse;"> <thead> <tr> <th></th> <th>mm</th> <th>INCH</th> </tr> </thead> <tbody> <tr> <td>4 PLACES</td> <td>$\pm \dots$</td> <td>$\pm \dots$</td> </tr> <tr> <td>3 PLACES</td> <td>$\pm \dots$</td> <td>$\pm \dots$</td> </tr> <tr> <td>2 PLACES</td> <td>± 0.15</td> <td>$\pm \dots$</td> </tr> <tr> <td>1 PLACE</td> <td>$\pm \dots$</td> <td>$\pm \dots$</td> </tr> </tbody> </table> ANGULAR $\pm 1^\circ$		mm	INCH	4 PLACES	$\pm \dots$	$\pm \dots$	3 PLACES	$\pm \dots$	$\pm \dots$	2 PLACES	± 0.15	$\pm \dots$	1 PLACE	$\pm \dots$	$\pm \dots$	DIMENSION STYLE MM ONLY DRAWN BY: CMTEO CHECKED BY: CGTAN APPROVED BY: SHLENI MATERIAL NO.: SEE TABLE	DATE: 2009/03/31 DATE: 2009/06/30 DATE: 2010/05/21	SCALE: NTS DESIGN UNITS: METRIC THIRD ANGLE PROJECTION	TITLE: 6.5*6.5 CAMERA SOCKET SMT BOTTOM CONTACT TYPE MOLEX INCORPORATED DOCUMENT NO.: SD-78499-001	SHEET NO.: 4 OF 4
		mm	INCH																					
	4 PLACES	$\pm \dots$	$\pm \dots$																					
	3 PLACES	$\pm \dots$	$\pm \dots$																					
2 PLACES	± 0.15	$\pm \dots$																						
1 PLACE	$\pm \dots$	$\pm \dots$																						
DRAFT WHERE APPLICABLE MUST REMAIN WITHIN DIMENSIONS				SIZE: A3	THIS DRAWING CONTAINS INFORMATION THAT IS PROPRIETARY TO MOLEX INCORPORATED AND SHOULD NOT BE USED WITHOUT WRITTEN PERMISSION																			