



Chipsmall Limited consists of a professional team with an average of over 10 year of expertise in the distribution of electronic components. Based in Hongkong, we have already established firm and mutual-benefit business relationships with customers from,Europe,America and south Asia,supplying obsolete and hard-to-find components to meet their specific needs.

With the principle of “Quality Parts,Customers Priority,Honest Operation,and Considerate Service”,our business mainly focus on the distribution of electronic components. Line cards we deal with include Microchip,ALPS,ROHM,Xilinx,Pulse,ON,Everlight and Freescale. Main products comprise IC,Modules,Potentiometer,IC Socket,Relay,Connector.Our parts cover such applications as commercial,industrial, and automotives areas.

We are looking forward to setting up business relationship with you and hope to provide you with the best service and solution. Let us make a better world for our industry!



## Contact us

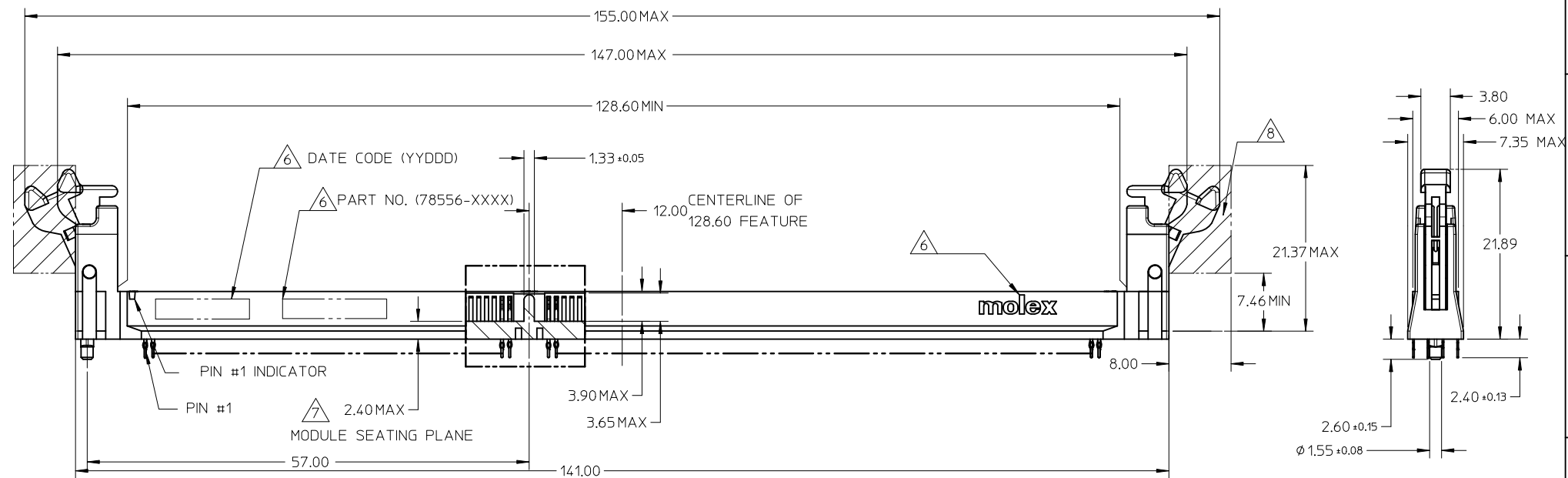
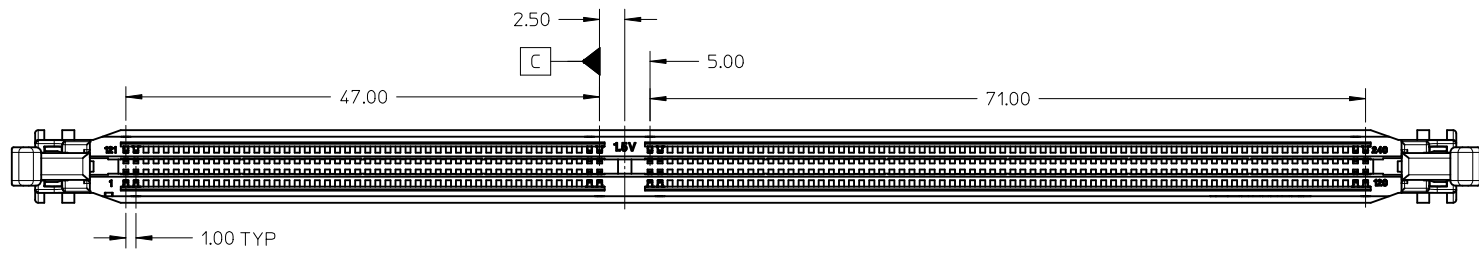
Tel: +86-755-8981 8866 Fax: +86-755-8427 6832

Email & Skype: info@chipsmall.com Web: www.chipsmall.com

Address: A1208, Overseas Decoration Building, #122 Zhenhua RD., Futian, Shenzhen, China



10 9 8 7 6 5 4 3 2 1



NOTES:

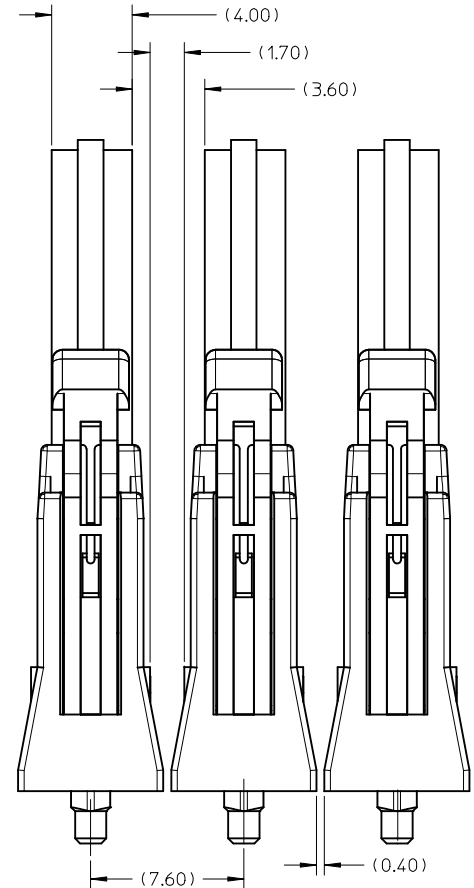
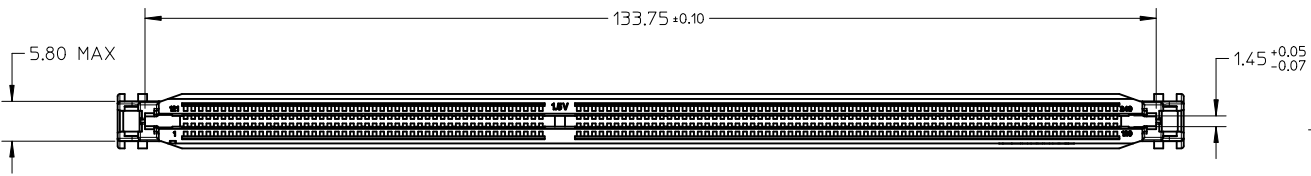
1. MATERIAL:  
HOUSING - POLYAMIDE (PA) GLASS FILLED, UL 94V-0, COLOR - SEE TABLE  
LATCH - POLYAMIDE (PA) GLASS FILLED, UL 04V-0, COLOR - SEE TABLE  
TERMINAL - COPPER ALLOY
2. FINISHES: TERMINAL PLATING SEE TABLE ON SHEET 5
3. PRODUCT SPECIFICATION: PS-78556-001
4. PACKAGING SPECIFICATION: PRODUCT SHALL BE PACKED IN TRAYS
5. CARD SLOT ACCEPTS 1.27±/-0.10MM MODULE THICKNESS (MEASURED FROM PC PADS)

- ⑥ MOLEX LOGO, DATE & PART NUMBERS INDICATED ON HOUSING
- ⑦ MODULE SEATING PLANE FROM TOP OF PCB
- ⑧ KEEP OUT ZONE RESERVED FOR LATCH

INITIAL RELEASE EC NO: S2011-0631 DRWN:CTEH 2011/01/06 CHKD:CGTAN 2011/01/26 APPR:SHLENI 2011/01/26	DESCRIPTION REV 1	QUALITY SYMBOLS	GENERAL TOLERANCES (UNLESS SPECIFIED)	DIMENSION STYLE	SCALE	DESIGN UNITS	THIRD ANGLE PROJECTION
		$F_A=0$ $F_C=0$ $F_P=0$	mm    INCH 4 PLACES ± --- ± --- 3 PLACES ± --- ± --- 2 PLACES ± 0.20 ± --- 1 PLACE ± --- ± --- ANGULAR ± 1°	MM ONLY	NTS	METRIC	
			DRAWN BY: CTEH    DATE: 2011/01/06	TITLE	ASSY + MODULE + PCB 1.00MM PITCH DDR3 LSP 240CKT VERT. P/F LOWLLCR		
			CHECKED BY: CGTAN    DATE: 2011/01/26		MOLEX INCORPORATED SD-78556-001		
			APPROVED BY: SHLENI    DATE: 2011/01/26				
			MATERIAL NO.	SEE TABLE			DOCUMENT NO.
			SIZE	A3	THIS DRAWING CONTAINS INFORMATION THAT IS PROPRIETARY TO MOLEX INCORPORATED AND SHOULD NOT BE USED WITHOUT WRITTEN PERMISSION		
							SHEET NO.
							1 OF 5

9 8 7 6 5 4 3 2 1

10 9 8 7 6 5 4 3 2 1



MINIMUM ROW TO ROW SPACING RECOMMENDATION (USING 4.00MM MODULE CARD)



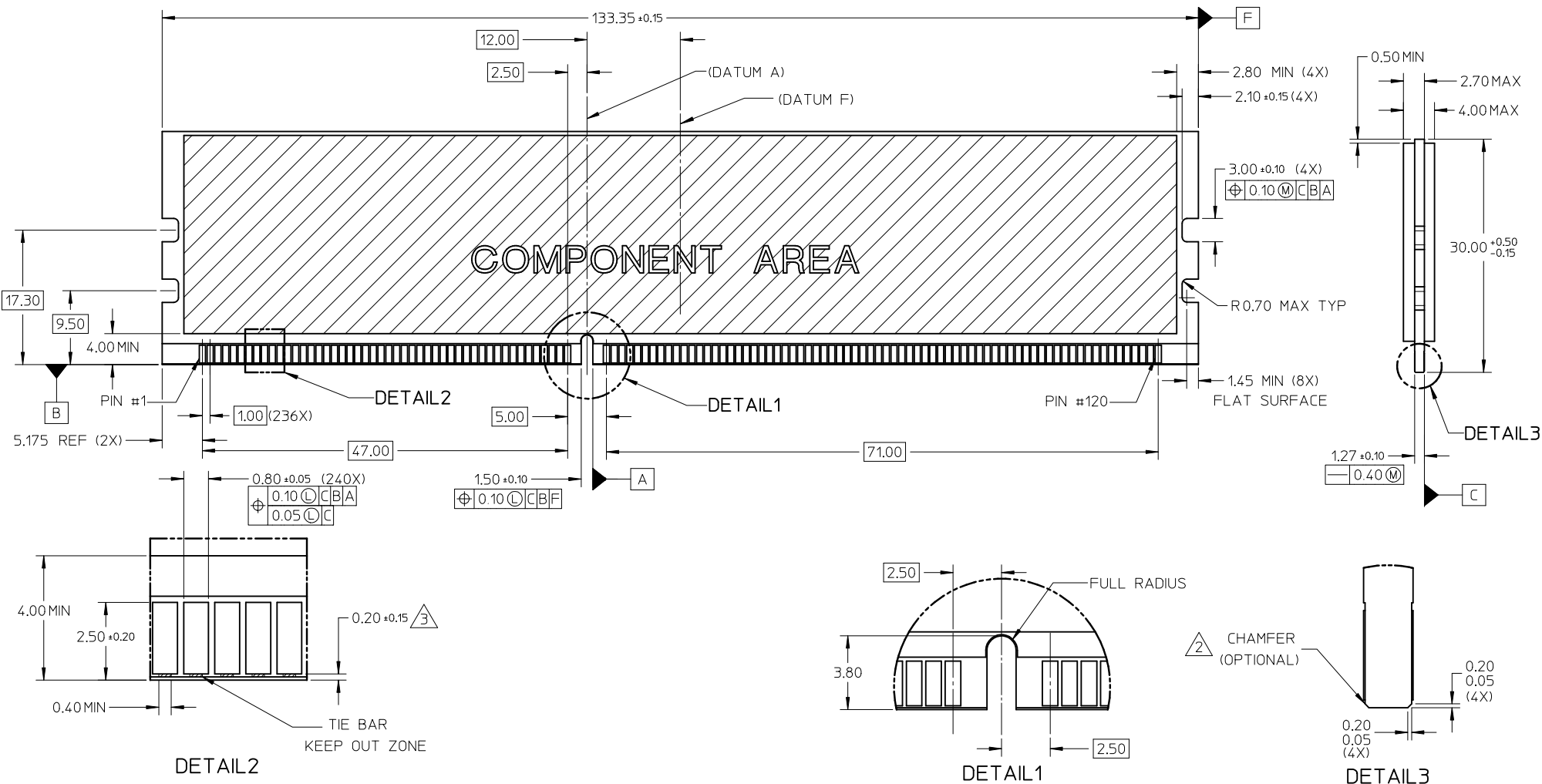
INITIAL RELEASE EC NO: S2011-0631 DRWN: CCTEH 2011/01/06 CHKD: CGTAN 2011/01/26 APPR: SHLENI 2011/01/26	DESCRIPTION REV 1	QUALITY SYMBOLS	GENERAL TOLERANCES (UNLESS SPECIFIED)	DIMENSION STYLE	SCALE	DESIGN UNITS	THIRD ANGLE PROJECTION
		$F_A=0$ $F_G=0$ $F_P=0$	(UNLESS SPECIFIED) mm INCH	MM ONLY	NTS	METRIC	
		4 PLACES ± --- ± --- 3 PLACES ± --- ± --- 2 PLACES ± 0.20 ± --- 1 PLACE ± --- ± ---	DRAWN BY: CCTEH DATE: 2011/01/06 CHECKED BY: CGTAN DATE: 2011/01/26 APPROVED BY: SHLENI DATE: 2011/01/26	TITLE	ASSY + MODULE + PCB 1.00MM PITCH DDR3 LSP 240CKT VERT. P/F LOWLLCR		
		ANGULAR ± 1 °	MATERIAL NO. SEE TABLE SIZE A3	MOLEX MOLEX INCORPORATED DOCUMENT NO. SD-78556-001	SHEET NO.	2 OF 5	

DRAFT WHERE APPLICABLE MUST REMAIN WITHIN DIMENSIONS

THIS DRAWING CONTAINS INFORMATION THAT IS PROPRIETARY TO MOLEX INCORPORATED AND SHOULD NOT BE USED WITHOUT WRITTEN PERMISSION

9 8 7 6 5 4 3 2 1

MODULE CARD  
 DDR3 DUAL IN-LINE MEMORY MODULE FAMILY 1.00MM CONTACT CENTERS  
 (JEDEC MO-269, ISSUE B, MAY 06)

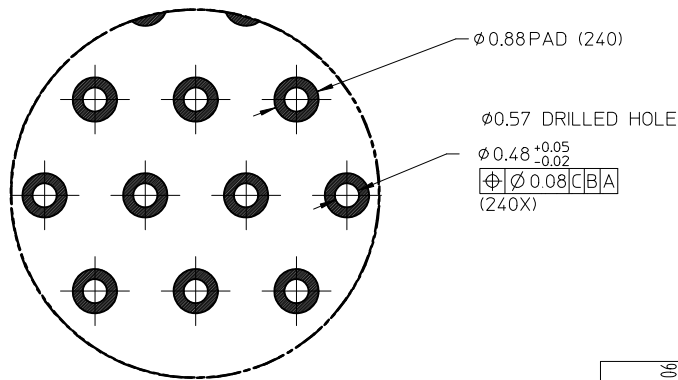
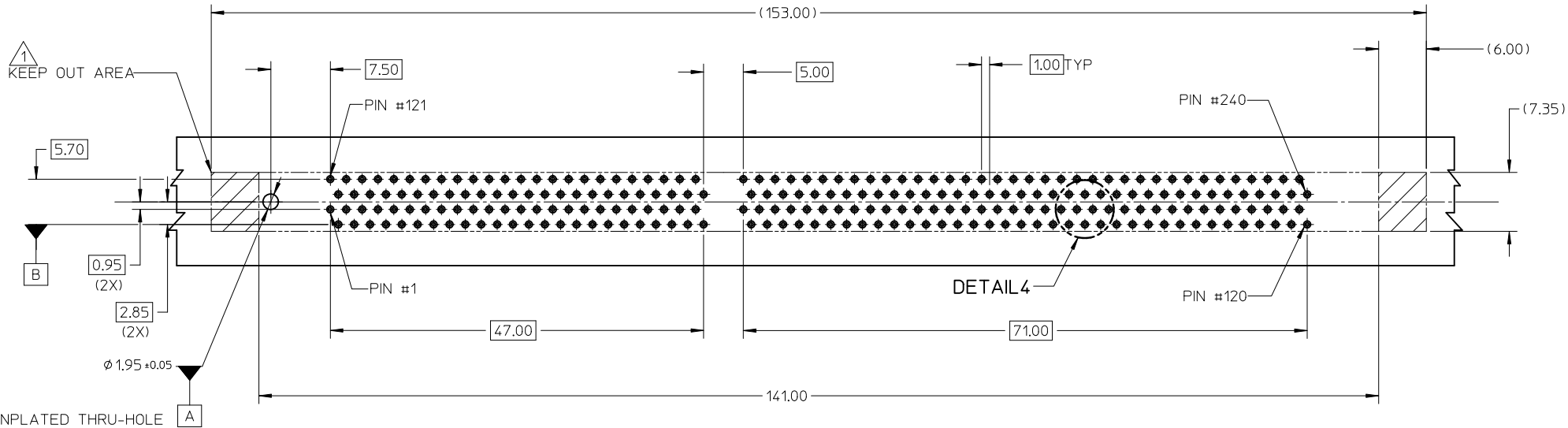


NOTES:

- RECOMMENDED PLATING FOR CONTACT PADS:  
 PREFERRED: 0.76 MICROMETERS GOLD PLATING MIN OVER 2.00 MICROMETERS NICKEL  
 ALTERNATIVE: 0.05-0.75 MICROMETERS GOLD PLATING OVER 2.00 MICROMETERS NICKEL MUST USE AN ELECTRONIC CONTACT GRADE CORROSIVE BARRIER LUBRICANT
- CHAMFER IS OPTIONAL AND IS NOT TO HIT THE GOLD PADS
- LEADING EDGE OF GOLD PADS SPECIFIED BY KEEPOUT ZONE SHALL BE FREE OF BURRS AND EXTERNAL TIE BARS.

INITIAL RELEASE EC NO: S2011-0631 DRWN: CCTEH 2011/01/06 CHKD: CGTAN 2011/01/26 APPR: SHLENI 2011/01/26	QUALITY SYMBOLS $F_A=0$ $F_G=0$ $F_P=0$	GENERAL TOLERANCES (UNLESS SPECIFIED)		DIMENSION STYLE <b>MM ONLY</b>		SCALE <b>NTS</b>	DESIGN UNITS <b>METRIC</b>	THIRD ANGLE PROJECTION		
		4 PLACES ± --- ± ---	mm INCH	DRAWN BY CCTEH	DATE 2011/01/06	TITLE <b>ASSY + MODULE + PCB          1.00MM PITCH DDR3 LSP          240CKT VERT. P/F LOWLLCR</b>				
		3 PLACES ± --- ± ---		CHECKED BY CGTAN	DATE 2011/01/26	<b>MOLEX INCORPORATED</b>				
		2 PLACES ± 0.20 ± --- 1 PLACE ± --- ± ---		APPROVED BY SHLENI	DATE 2011/01/26	MATERIAL NO. <b>SEE TABLE</b>	DOCUMENT NO. <b>SD-78556-001</b>	SHEET NO. <b>3 OF 5</b>		
DRAFT WHERE APPLICABLE MUST REMAIN WITHIN DIMENSIONS		ANGULAR ± 1°		THIS DRAWING CONTAINS INFORMATION THAT IS PROPRIETARY TO MOLEX INCORPORATED AND SHOULD NOT BE USED WITHOUT WRITTEN PERMISSION						

10 9 8 7 6 5 4 3 2 1



DETAIL 4

NOTES:  
 1. KEEP-OUT AREA IS THE AREA WHERE THE CONNECTOR (INCLUDING LATCH) IS MOUNTED ON THE PCB

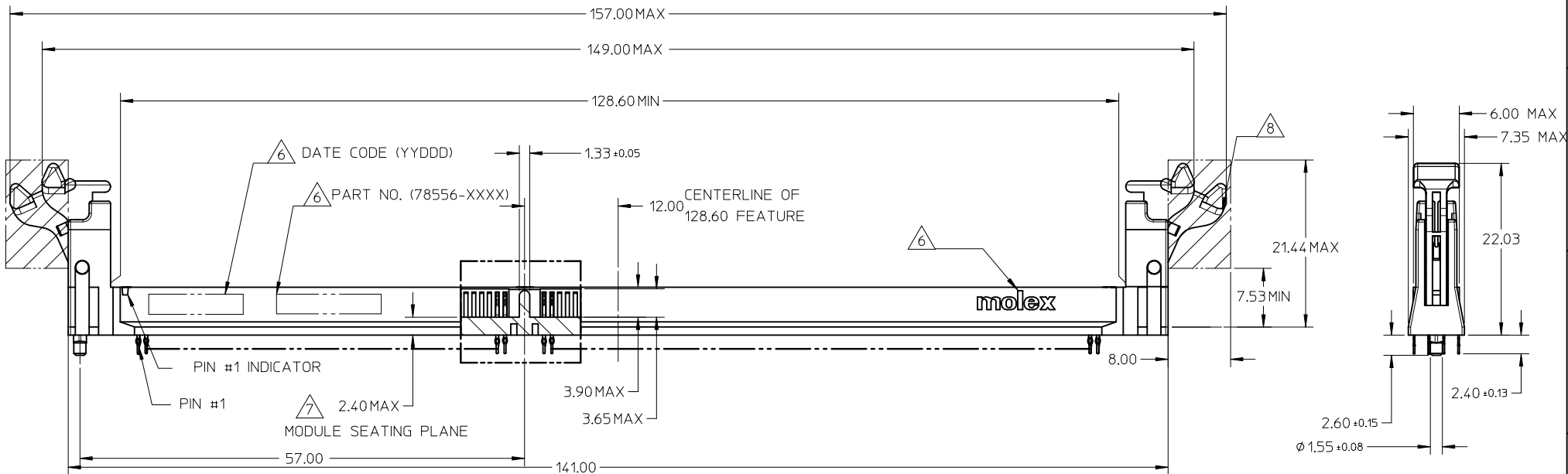
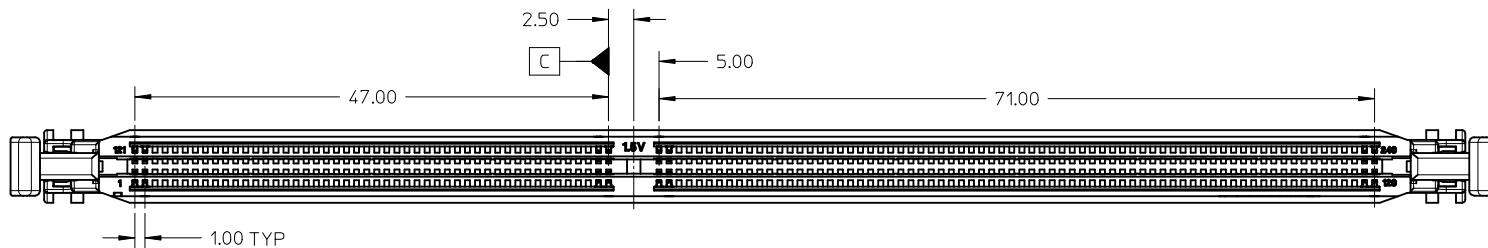
INITIAL RELEASE EC NO: S2011-0631 DRWN: CTEH 2011/01/06 CHKD: CGTAN 2011/01/26 APPR: SHLENI 2011/01/26	QUALITY SYMBOLS $F_A=0$ $F_C=0$ $F_P=0$	GENERAL TOLERANCES (UNLESS SPECIFIED) mm INCH 4 PLACES ± --- ± --- 3 PLACES ± --- ± --- 2 PLACES ± 0.20 ± --- 1 PLACE ± --- ± --- ANGULAR ± 1°	DIMENSION STYLE MM ONLY DRAWN BY: CTEH DATE: 2011/01/06 CHECKED BY: CGTAN DATE: 2011/01/26 APPROVED BY: SHLENI DATE: 2011/01/26	SCALE: NTS DESIGN UNITS: METRIC THIRD ANGLE PROJECTION	TITLE: ASSY + MODULE + PCB 1.00MM PITCH DDR3 LSP 240CKT VERT. P/F LOWLLCR MOLEX INCORPORATED	
	DRAFT WHERE APPLICABLE MUST REMAIN WITHIN DIMENSIONS	MATERIAL NO.: SEE TABLE DOCUMENT NO.: SD-78556-001 SHEET NO.: 4 OF 5	THIS DRAWING CONTAINS INFORMATION THAT IS PROPRIETARY TO MOLEX INCORPORATED AND SHOULD NOT BE USED WITHOUT WRITTEN PERMISSION			

9 8 7 6 5 4 3 2 1

PART NO.	KEY POS.	RECOMMENDED PCB THICKNESS	PLATING OPTION		LATCH COLOUR	HOUSING COLOUR
			CONTACT AREA	TAIL AREA		
78556-0001	CENTER (1.5V)	3.00	0.76 MICROMETER/ 30 MICROINCH MIN. GOLD OVER 1.27 MICROMETER/ 50 MICROINCH MIN. NICKEL UNDERPLATE	0.38 TO 1.52 MICROMETER/15 TO 60 MICROINCH MIN TIN (MATT) OVER 1.27 MICROMETER/ 50 MICROINCH MIN. NICKEL UNDERPLATE	BLACK	BLACK
78556-0051					BLUE	BLUE
78556-0061					NATURAL	NATURAL
78556-0201			0.76 MICROMETER/ 30 MICROINCH MIN. GOLD OVER 1.27 MICROMETER/ 50 MICROINCH MIN. NICKEL UNDERPLATE	0.38 TO 1.52 MICROMETER/15 TO 60 MICROINCH MIN TIN/LEAD (BRIGHT) OVER 1.27 MICROMETER/ 50 MICROINCH MIN. NICKEL UNDERPLATE	BLACK	BLACK
78556-0251					BLUE	BLUE
78556-0261					NATURAL	NATURAL

INITIAL RELEASE EC NO: S2011-0631 DRWN: CCTEH 2011/01/06 CHKD: CGTAN 2011/01/26 APPR: SHLENI 2011/01/26	DESCRIPTION REV 1	QUALITY SYMBOLS	GENERAL TOLERANCES (UNLESS SPECIFIED)	DIMENSION STYLE	SCALE	DESIGN UNITS	THIRD ANGLE PROJECTION	
		$\nabla_A = 0$ $\nabla_C = 0$ $\nabla_P = 0$	mm    INCH 4 PLACES ± --- ± --- 3 PLACES ± --- ± --- 2 PLACES ± 0.20 ± --- 1 PLACE ± --- ± --- ANGULAR ± 1 °	MM ONLY	NTS	METRIC	DRAWN BY: CCTEH    DATE: 2011/01/06 CHECKED BY: CGTAN    DATE: 2011/01/26 APPROVED BY: SHLENI    DATE: 2011/01/26	TITLE: ASSY + MODULE + PCB 1.00MM PITCH DDR3 LSP 240CKT VERT. P/F LOWLLCR
		DRAFT WHERE APPLICABLE MUST REMAIN WITHIN DIMENSIONS		SEE TABLE	MOLEX INCORPORATED DOCUMENT NO. SD-78556-001		SHEET NO. 5 OF 5	
				SIZE A3	THIS DRAWING CONTAINS INFORMATION THAT IS PROPRIETARY TO MOLEX INCORPORATED AND SHOULD NOT BE USED WITHOUT WRITTEN PERMISSION			

10 9 8 7 6 5 4 3 2 1



NOTES:

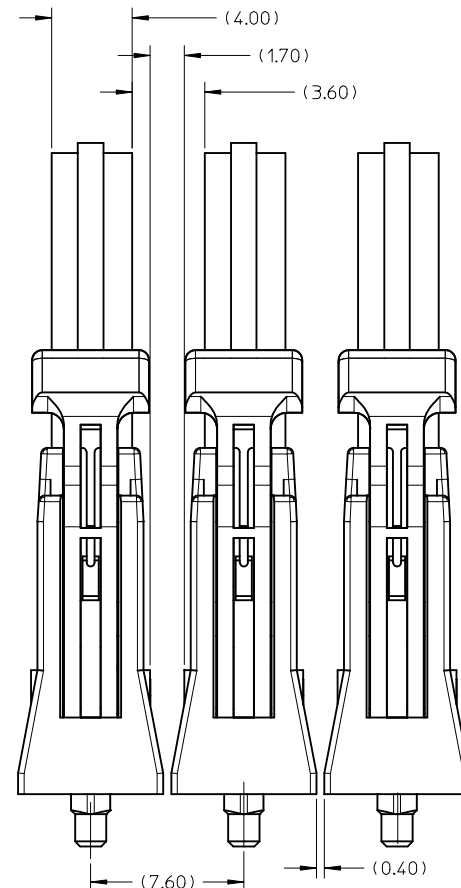
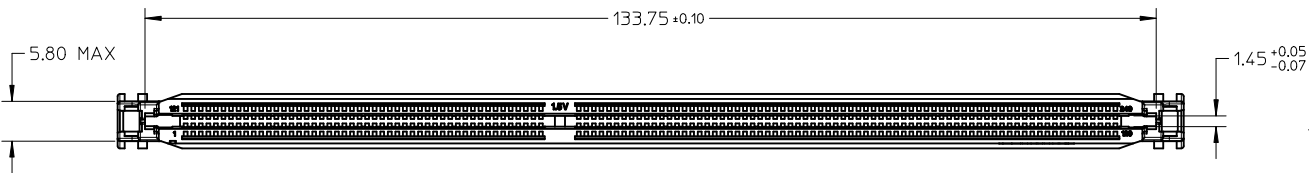
1. MATERIAL:  
HOUSING - POLYAMIDE (PA) GLASS FILLED, UL 94V-0, COLOR - SEE TABLE  
LATCH - POLYAMIDE (PA) GLASS FILLED, UL 04V-0, COLOR - SEE TABLE  
TERMINAL - COPPER ALLOY
2. FINISHES: TERMINAL PLATING SEE TABLE ON SHEET 5
3. PRODUCT SPECIFICATION: PS-78556-001
4. PACKAGING SPECIFICATION: PRODUCT SHALL BE PACKED IN TRAYS
5. CARD SLOT ACCEPTS 1.27+/-0.10MM MODULE THICKNESS (MEASURED FROM PC PADS)

- ⑥ MOLEX LOGO, DATE & PART NUMBERS INDICATED ON HOUSING
- ⑦ MODULE SEATING PLANE FROM TOP OF PCB
- ⑧ KEEP OUT ZONE RESERVED FOR LATCH

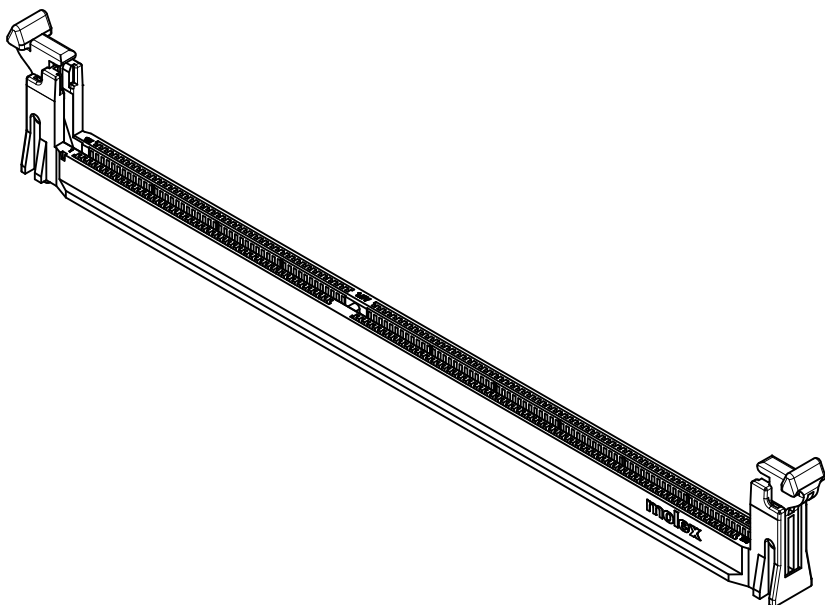
INITIAL RELEASED EC NO: S2011-1007 DRWN: CTEH 2011/04/26 CHKD: CGTAN 2011/06/22 APPR: SHLENI 2011/06/29	DESCRIPTION QUALITY SYMBOLS $F_A=0$ $F_C=0$ $F_P=0$	GENERAL TOLERANCES (UNLESS SPECIFIED)		DIMENSION STYLE	SCALE	DESIGN UNITS	THIRD ANGLE PROJECTION	
				MM ONLY	NTS	METRIC		
			mm	INCH	DRAWN BY	DATE	TITLE	
		4 PLACES	± ---	± ---	CTEH	2011/04/26	1MM DDR3 LSP ST. LATCH	
3 PLACES	± ---	± ---	CHECKED BY	DATE	240CKTS VERT. PF LLLCR			
2 PLACES	± 0.20	± ---	CGTAN	2011/06/22				
1 PLACE	± ---	± ---	APPROVED BY	DATE				
	ANGULAR ± 1 °		SHLENI	2011/06/29				
DRAFT WHERE APPLICABLE MUST REMAIN WITHIN DIMENSIONS		SEE TABLE		MATERIAL NO.	DOCUMENT NO.	SHEET NO.		
		SIZE A3		THIS DRAWING CONTAINS INFORMATION THAT IS PROPRIETARY TO MOLEX INCORPORATED AND SHOULD NOT BE USED WITHOUT WRITTEN PERMISSION				

9 8 7 6 5 4 3 2 1

10 9 8 7 6 5 4 3 2 1



MINIMUM ROW TO ROW SPACING RECOMMENDATION  
(USING 4.00MM MODULE CARD)

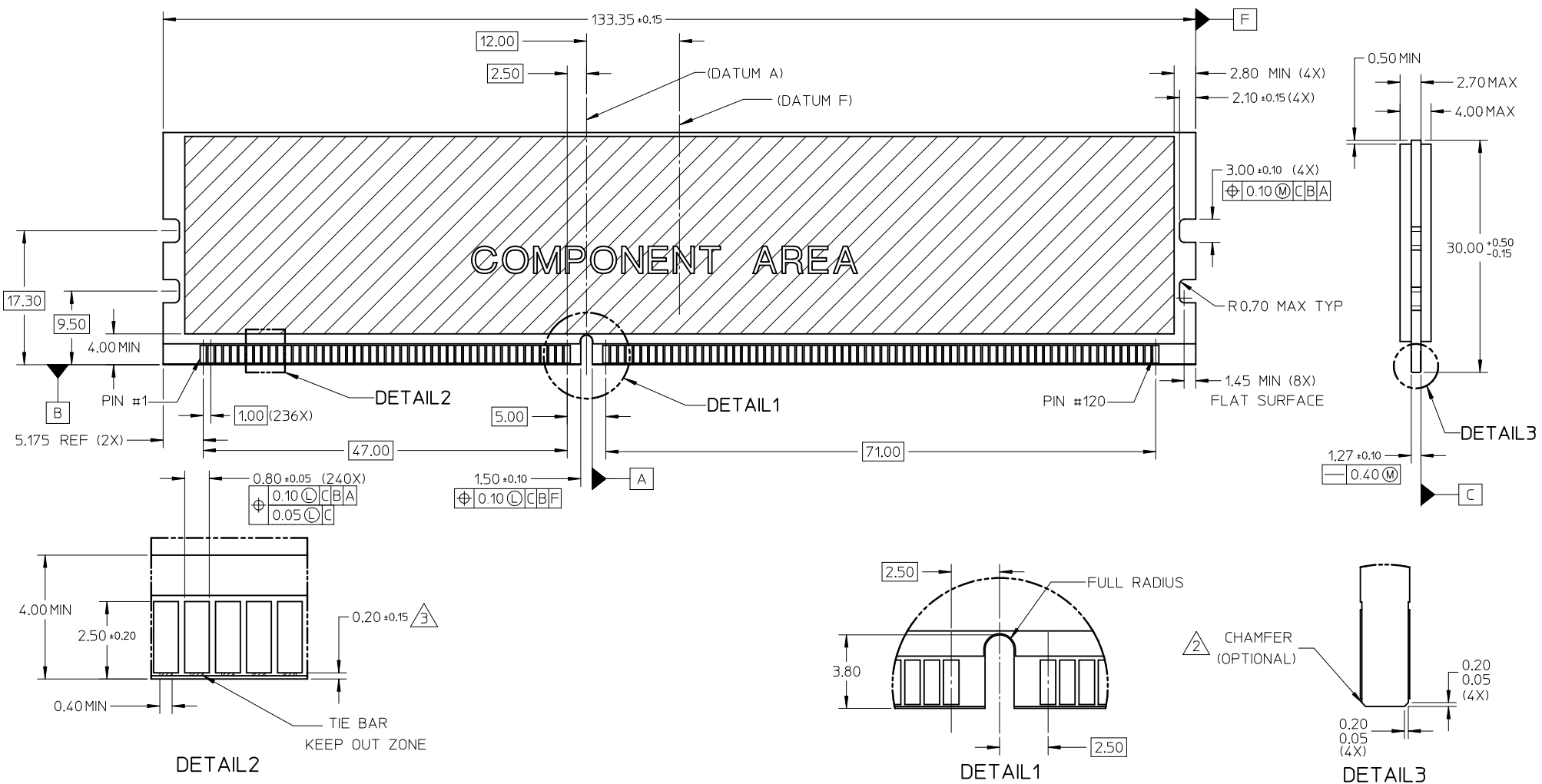


INITIAL RELEASED EC NO: S2011-1007 DRWN: CTEH 2011/04/26 CHKD: CGTAN 2011/06/22 APPR: SHLENI 2011/06/29	DESCRIPTION REV 1	QUALITY SYMBOLS	GENERAL TOLERANCES (UNLESS SPECIFIED)	DIMENSION STYLE	SCALE	DESIGN UNITS	THIRD ANGLE PROJECTION		
		$\nabla_A = 0$ $\nabla_C = 0$ $\nabla_P = 0$	mm    INCH 4 PLACES ± --- ± --- 3 PLACES ± --- ± --- 2 PLACES ± 0.20 ± --- 1 PLACE ± --- ± --- ANGULAR ± 1 °	MM ONLY	NTS	METRIC	DRAWN BY: CTEH    DATE: 2011/04/26 CHECKED BY: CGTAN    DATE: 2011/06/22 APPROVED BY: SHLENI    DATE: 2011/06/29	TITLE: 1MM DDR3 LSP ST. LATCH 240CKTS VERT. PF LLLCR MOLEX INCORPORATED DOCUMENT NO. SD-78556-002	SHEET NO. 2 OF 5
		DRAFT WHERE APPLICABLE MUST REMAIN WITHIN DIMENSIONS		SEE TABLE	THIS DRAWING CONTAINS INFORMATION THAT IS PROPRIETARY TO MOLEX INCORPORATED AND SHOULD NOT BE USED WITHOUT WRITTEN PERMISSION				
				SIZE A3					

9 8 7 6 5 4 3 2 1

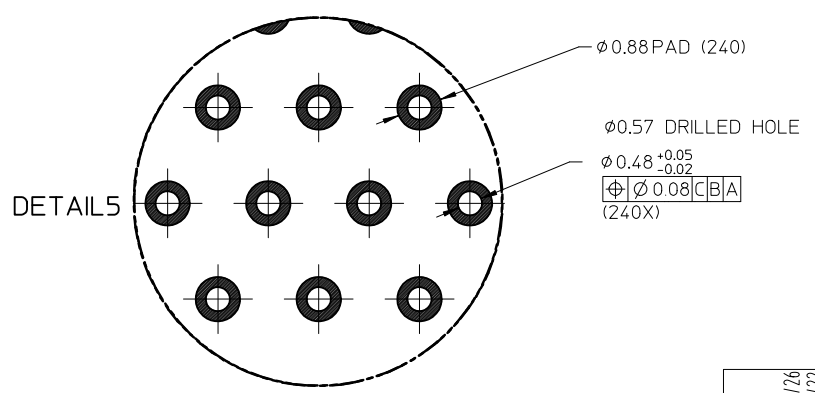
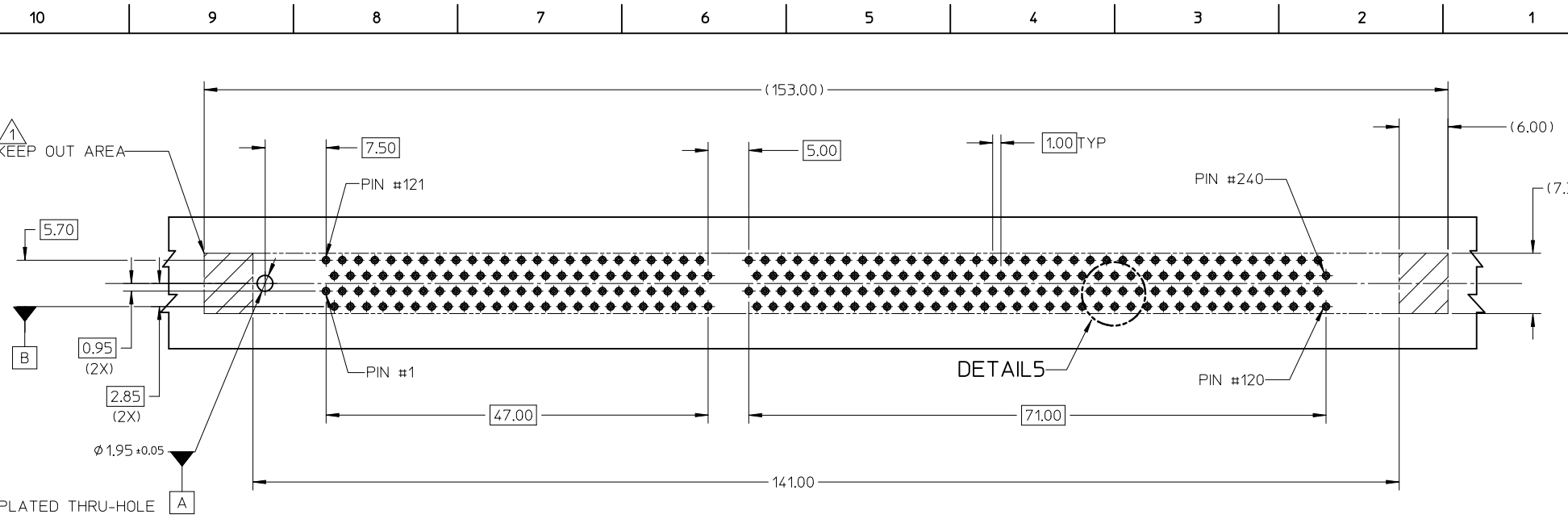


MODULE CARD  
 DDR3 DUAL IN-LINE MEMORY MODULE FAMILY 1.00MM CONTACT CENTERS  
 (JEDEC MO-269, ISSUE B, MAY 06)



- NOTES:
- RECOMMENDED PLATING FOR CONTACT PADS:  
 PREFERRED: 0.76 MICROMETERS GOLD PLATING MIN OVER 2.00 MICROMETERS NICKEL  
 ALTERNATIVE: 0.05-0.75 MICROMETERS GOLD PLATING OVER 2.00 MICROMETERS NICKEL MUST USE AN ELECTRONIC CONTACT GRADE CORROSIVE BARRIER LUBRICANT
  - CHAMFER IS OPTIONAL AND IS NOT TO HIT THE GOLD PADS
  - LEADING EDGE OF GOLD PADS SPECIFIED BY KEEPOUT ZONE SHALL BE FREE OF BURRS AND EXTERNAL TIE BARS.

INITIAL RELEASED EC NO: S2011-1007 DRW: CCTEH 2011/04/26 CHKD: CGTAN 2011/06/22 APPR: SHLENI 2011/06/29	DESCRIPTION REV	QUALITY SYMBOLS	GENERAL TOLERANCES (UNLESS SPECIFIED)	DIMENSION STYLE	SCALE	DESIGN UNITS	THIRD ANGLE PROJECTION															
		$F_A = 0$ $F_G = 0$ $F_P = 0$	<table border="1"> <tr> <th></th> <th>mm</th> <th>INCH</th> </tr> <tr> <td>4 PLACES</td> <td>± ---</td> <td>± ---</td> </tr> <tr> <td>3 PLACES</td> <td>± ---</td> <td>± ---</td> </tr> <tr> <td>2 PLACES</td> <td>± 0.20</td> <td>± ---</td> </tr> <tr> <td>1 PLACE</td> <td>± ---</td> <td>± ---</td> </tr> </table>		mm	INCH	4 PLACES	± ---	± ---	3 PLACES	± ---	± ---	2 PLACES	± 0.20	± ---	1 PLACE	± ---	± ---	MM ONLY	NTS	METRIC	<input checked="" type="checkbox"/> THIRD ANGLE <input type="checkbox"/> FIRST ANGLE
			mm	INCH																		
		4 PLACES	± ---	± ---																		
3 PLACES	± ---	± ---																				
2 PLACES	± 0.20	± ---																				
1 PLACE	± ---	± ---																				
	ANGULAR ± 1°	DRAWN BY: CCTEH CHECKED BY: CGTAN APPROVED BY: SHLENI MATERIAL NO.	DATE: 2011/04/26 DATE: 2011/06/22 DATE: 2011/06/29	TITLE																		
		DRAFT WHERE APPLICABLE MUST REMAIN WITHIN DIMENSIONS	SEE TABLE			1MM DDR3 LSP ST. LATCH 240CKTS VERT. PF LLLCR	MOLEX INCORPORATED DOCUMENT NO. SD-78556-002 SHEET NO. 3 OF 5															



NOTES:  
 1. KEEP-OUT AREA IS THE AREA WHERE THE CONNECTOR (INCLUDING LATCH) IS MOUNTED ON THE PCB

INITIAL RELEASED EC NO: S2011-1007 DRWN: CTEH 2011/04/26 CHKD: CGTAN 2011/06/22 APPR: SHLENI 2011/06/29	DESCRIPTION 1	QUALITY SYMBOLS	GENERAL TOLERANCES (UNLESS SPECIFIED)	DIMENSION STYLE MM ONLY	SCALE NTS	DESIGN UNITS METRIC	THIRD ANGLE PROJECTION																														
		$F_A = 0$ $F_C = 0$ $F_P = 0$	<table border="1"> <thead> <tr> <th></th> <th>mm</th> <th>INCH</th> </tr> </thead> <tbody> <tr> <td>4 PLACES</td> <td>± ---</td> <td>± ---</td> </tr> <tr> <td>3 PLACES</td> <td>± ---</td> <td>± ---</td> </tr> <tr> <td>2 PLACES</td> <td>± 0.20</td> <td>± ---</td> </tr> <tr> <td>1 PLACE</td> <td>± ---</td> <td>± ---</td> </tr> </tbody> </table>		mm	INCH	4 PLACES	± ---	± ---	3 PLACES	± ---	± ---	2 PLACES	± 0.20	± ---	1 PLACE	± ---	± ---	<table border="1"> <tr> <td>DRAWN BY</td> <td>DATE</td> <td>TITLE</td> </tr> <tr> <td>CTEH</td> <td>2011/04/26</td> <td rowspan="3">1MM DDR3 LSP ST. LATCH 240CKTS VERT. PF LLLCR</td> </tr> <tr> <td>CHECKED BY</td> <td>DATE</td> </tr> <tr> <td>CGTAN</td> <td>2011/06/22</td> </tr> <tr> <td>APPROVED BY</td> <td>DATE</td> <td></td> </tr> <tr> <td>SHLENI</td> <td>2011/06/29</td> <td></td> </tr> </table>	DRAWN BY	DATE	TITLE	CTEH	2011/04/26	1MM DDR3 LSP ST. LATCH 240CKTS VERT. PF LLLCR	CHECKED BY	DATE	CGTAN	2011/06/22	APPROVED BY	DATE		SHLENI	2011/06/29		MOLEX INCORPORATED	
			mm	INCH																																	
		4 PLACES	± ---	± ---																																	
3 PLACES	± ---	± ---																																			
2 PLACES	± 0.20	± ---																																			
1 PLACE	± ---	± ---																																			
DRAWN BY	DATE	TITLE																																			
CTEH	2011/04/26	1MM DDR3 LSP ST. LATCH 240CKTS VERT. PF LLLCR																																			
CHECKED BY	DATE																																				
CGTAN	2011/06/22																																				
APPROVED BY	DATE																																				
SHLENI	2011/06/29																																				
	DRAFT WHERE APPLICABLE MUST REMAIN WITHIN DIMENSIONS	MATERIAL NO. SEE TABLE	DOCUMENT NO. SD-78556-002	SHEET NO. 4 OF 5																																	
		SIZE A3	THIS DRAWING CONTAINS INFORMATION THAT IS PROPRIETARY TO MOLEX INCORPORATED AND SHOULD NOT BE USED WITHOUT WRITTEN PERMISSION																																		

PART NO.	KEY POS.	RECOMMENDED PCB THICKNESS	PLATING OPTION		LATCH COLOUR	HOUSING COLOUR
			CONTACT AREA	TAIL AREA		
78556-5001	CENTER (1.5V)	3.00	0.76 MICROMETER/ 30 MICROINCH MIN. GOLD OVER 1.27 MICROMETER/ 50 MICROINCH MIN. NICKEL UNDERPLATE	0.38 TO 1.52 MICROMETER/15 TO 60 MICROINCH MIN TIN (MATT) OVER 1.27 MICROMETER/ 50 MICROINCH MIN. NICKEL UNDERPLATE	BLACK	BLACK
78556-5051					BLUE	BLUE
78556-5061					NATURAL	NATURAL

INITIAL RELEASED EC NO: S2011-1007 DRWN: CCTEH 2011/04/26 CHKD: CGTAN 2011/06/22 APPR: SHLENI 2011/06/29	DESCRIPTION REV 1	QUALITY SYMBOLS	GENERAL TOLERANCES (UNLESS SPECIFIED)	DIMENSION STYLE	SCALE	DESIGN UNITS	THIRD ANGLE PROJECTION		
		$\nabla_A = 0$ $\nabla_C = 0$ $\nabla_P = 0$	mm      INCH 4 PLACES ± --- ± --- 3 PLACES ± --- ± --- 2 PLACES ± 0.20 ± --- 1 PLACE ± --- ± --- ANGULAR ± 1°	MM ONLY	NTS	METRIC	DRAWN BY: CCTEH      DATE: 2011/04/26 CHECKED BY: CGTAN      DATE: 2011/06/22 APPROVED BY: SHLENI      DATE: 2011/06/29	TITLE	1MM DDR3 LSP ST. LATCH 240CKTS VERT. PF LLLCR
		DRAFT WHERE APPLICABLE MUST REMAIN WITHIN DIMENSIONS		SEE TABLE	MOLEX INCORPORATED MATERIAL NO.      DOCUMENT NO.		MOLEX INCORPORATED SD-78556-002		SHEET NO.
				SIZE A3	THIS DRAWING CONTAINS INFORMATION THAT IS PROPRIETARY TO MOLEX INCORPORATED AND SHOULD NOT BE USED WITHOUT WRITTEN PERMISSION				