



Chipsmall Limited consists of a professional team with an average of over 10 year of expertise in the distribution of electronic components. Based in Hongkong, we have already established firm and mutual-benefit business relationships with customers from,Europe,America and south Asia,supplying obsolete and hard-to-find components to meet their specific needs.

With the principle of "Quality Parts,Customers Priority,Honest Operation,and Considerate Service",our business mainly focus on the distribution of electronic components. Line cards we deal with include Microchip,ALPS,ROHM,Xilinx,Pulse,ON,Everlight and Freescale. Main products comprise IC,Modules,Potentiometer,IC Socket,Relay,Connector.Our parts cover such applications as commercial,industrial, and automotives areas.

We are looking forward to setting up business relationship with you and hope to provide you with the best service and solution. Let us make a better world for our industry!



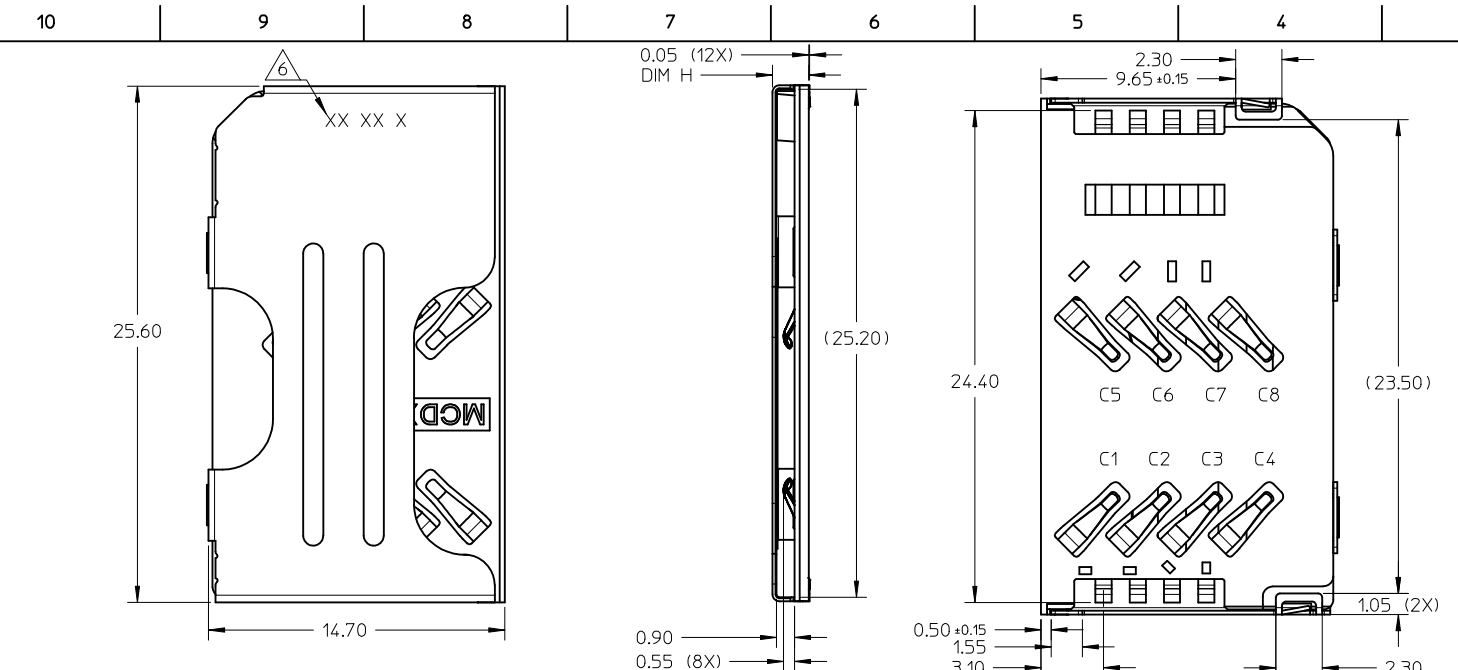
## Contact us

Tel: +86-755-8981 8866 Fax: +86-755-8427 6832

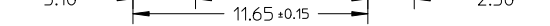
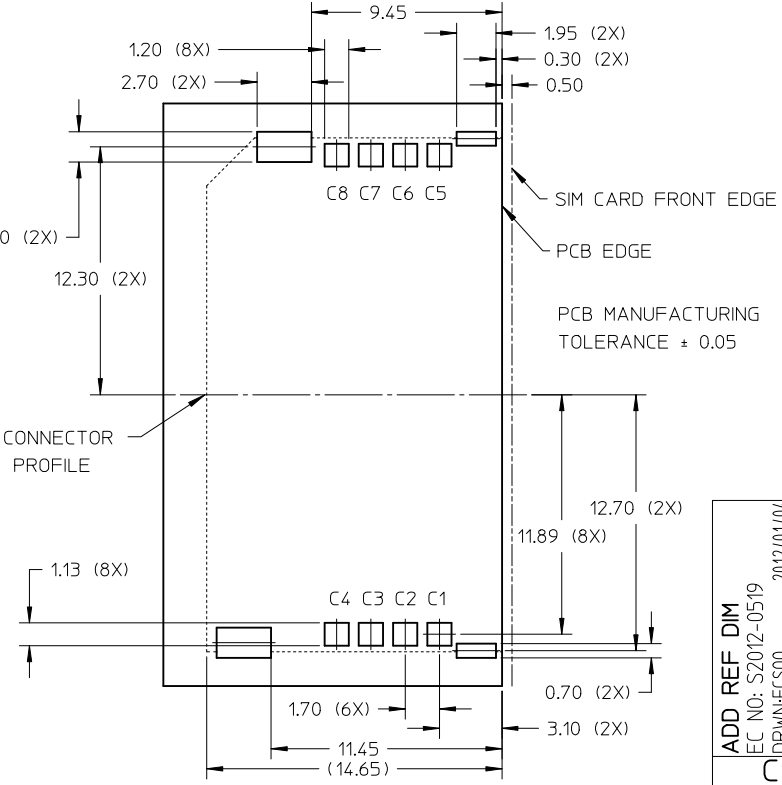
Email & Skype: info@chipsmall.com Web: www.chipsmall.com

Address: A1208, Overseas Decoration Building, #122 Zhenhua RD., Futian, Shenzhen, China





P/N	78558-0001	78558-1000
DIM H	1.80	2.00



NOTES:

- MATERIALS:  
HOUSING: LIQUID CRYSTAL POLYMER, 30~45% GLASS-FILLED/MINERAL UL 94V-0, COLOR: BLACK  
TERMINAL: PHOSPHOR BRONZE, 0.12MM THICKNESS REF.  
SHELL: STAINLESS STEEL 0.20mm THICKNESS REF.
- FINISHES  
TERMINAL: 0.30 MICRON MIN. GOLD ON CONTACT AND 1.27 MICRON MIN. TIN ON SOLDER TAIL OVER 1.27 MICRON MIN. NICKEL UNDERPLATE  
SHELL: 0.0254 MICRON MIN. GOLD OVER 1.27 MICRON MIN. NICKEL UNDERPLATE
- PRODUCT SPECIFICATION: PS-78558-001
- PACKAGING SPECIFICATION: PK-78558-001
- NON-FUNCTIONAL CORING ARE SUBJECTED TO CHANGE WITHOUT NOTICE.
- DATE CODE: XX XX X  
  - └─ DAY
  - └─ WEEK
  - └─ YEAR

ADD REF DIM EC NO: S2012-0519 DRWN: FCS00 CHKD: JTAN02 APPR: KHL IM	DESCRIPTION REV	QUALITY SYMBOLS F <sub>A</sub> =0 F <sub>E</sub> =0 F <sub>P</sub> =0		GENERAL TOLERANCES (UNLESS SPECIFIED)		DIMENSION STYLE MM ONLY		SCALE NTS	DESIGN UNITS METRIC	THIRD ANGLE PROJECTION
				mm	INCH	DRAWN BY SCHEONG	DATE 2009/10/14	TITLE SIDE ENTRY SIM CONNECTOR WITH GUIDE RAILS		
				4 PLACES	± ---	± ---	CHECKED BY KHL IM	DATE 2010/01/07	MOLEX INCORPORATED	
				2 PLACES	± 0.10	± ---	APPROVED BY BOKOK	DATE 2010/04/16	DOCUMENT NO. SD-78558-001	
				1 PLACE	± ---	± ---	MATERIAL NO.		SHEET NO. 1 OF 1	
				ANGULAR ± 3 °		DRAFT WHERE APPLICABLE MUST REMAIN WITHIN DIMENSIONS		SEE TABLE		
				SIZE A3		THIS DRAWING CONTAINS INFORMATION THAT IS PROPRIETARY TO MOLEX INCORPORATED AND SHOULD NOT BE USED WITHOUT WRITTEN PERMISSION				