



Chipsmall Limited consists of a professional team with an average of over 10 year of expertise in the distribution of electronic components. Based in Hongkong, we have already established firm and mutual-benefit business relationships with customers from,Europe,America and south Asia,supplying obsolete and hard-to-find components to meet their specific needs.

With the principle of “Quality Parts,Customers Priority,Honest Operation,and Considerate Service”,our business mainly focus on the distribution of electronic components. Line cards we deal with include Microchip,ALPS,ROHM,Xilinx,Pulse,ON,Everlight and Freescale. Main products comprise IC,Modules,Potentiometer,IC Socket,Relay,Connector.Our parts cover such applications as commercial,industrial, and automotives areas.

We are looking forward to setting up business relationship with you and hope to provide you with the best service and solution. Let us make a better world for our industry!



## Contact us

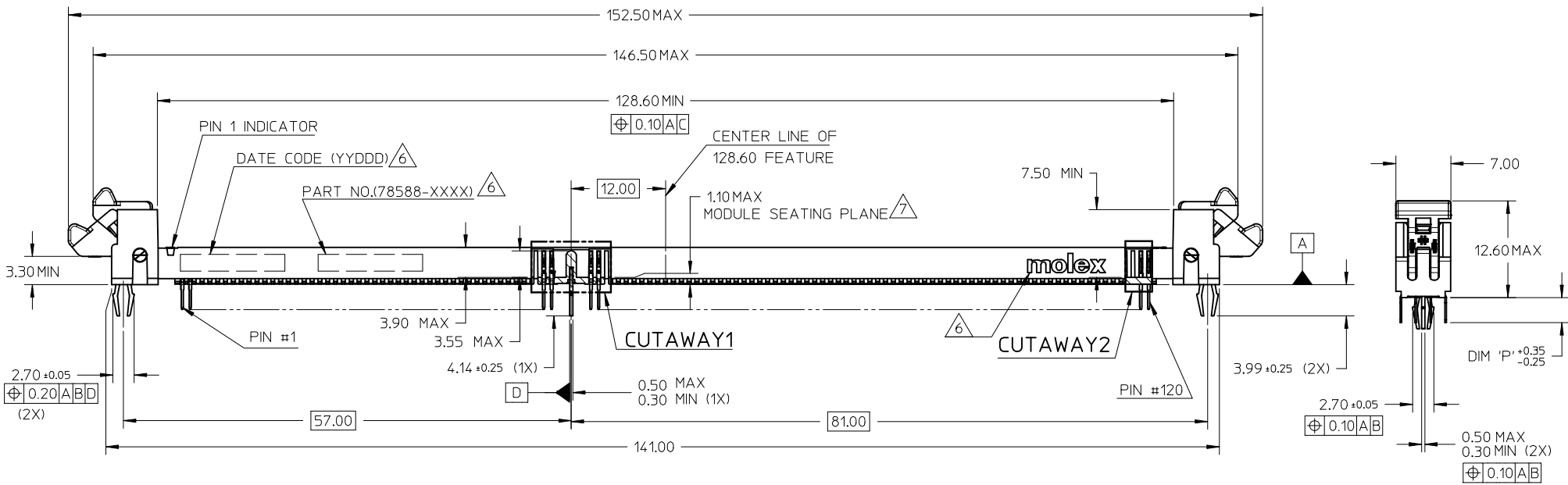
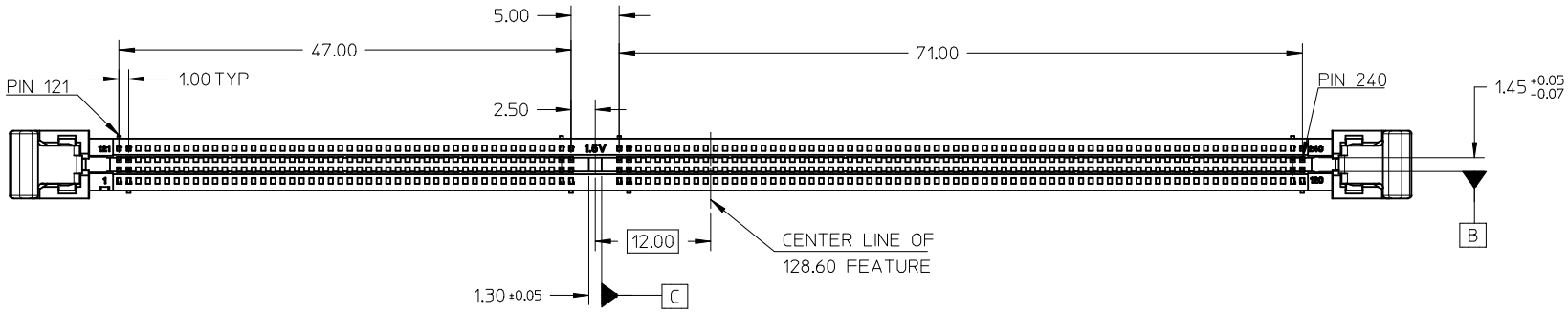
Tel: +86-755-8981 8866 Fax: +86-755-8427 6832

Email & Skype: info@chipsmall.com Web: www.chipsmall.com

Address: A1208, Overseas Decoration Building, #122 Zhenhua RD., Futian, Shenzhen, China



10 9 8 7 6 5 4 3 2 1



NOTES:  
 1. MATERIAL: HOUSING - HIGH TEMP NYLON, GLASS FILLED UL 94V-0. COLOR REFER SHEET 2  
 LATCH - HIGH TEMP NYLON, GLASS FILLED UL 94V-0.  
 COLOR - SEE TABLE ON SHEET 2  
 TERMINAL - COPPER ALLOY

2. FINISHES:  
 TERMINAL PLATING OPTIONS REFER TABLE ON SHEET 2

3. PRODUCT SPECIFICATION REFER TABLE ON SHEET 2

4. PACKAGING SPECIFICATION REFER TABLE ON SHEET 2

5. CARD SLOT ACCEPTS 1.27 +/- 0.10MM MODULE THICKNESS (MEASURED FROM GOLD PADS)

6. MOLEX LOGO, DATE AND PART NUMBERS INDICATED ON HOUSING

7. MODULE SEATING PLANE FROM TOP OF PCB

THIS DESIGN IS BASED ON DESIGN OBJECTIVES AND IS STRICTLY TENTATIVE.  
 IT MAY CHANGE BASED ON RESULTS OF ADDITIONAL DESIGN REVIEWS AND VERIFICATIONS.

ADD 2.67 TAIL P.NO	DESCRIPTION	QUALITY SYMBOLS
EC NO: S2012-0866	2012/05/16	F=0
DRWN:VMANICKAM	2012/06/05	F=0
CHKD:CCTEH	2012/06/05	F=0
APPR:SHLENI	2012/06/05	
REV		

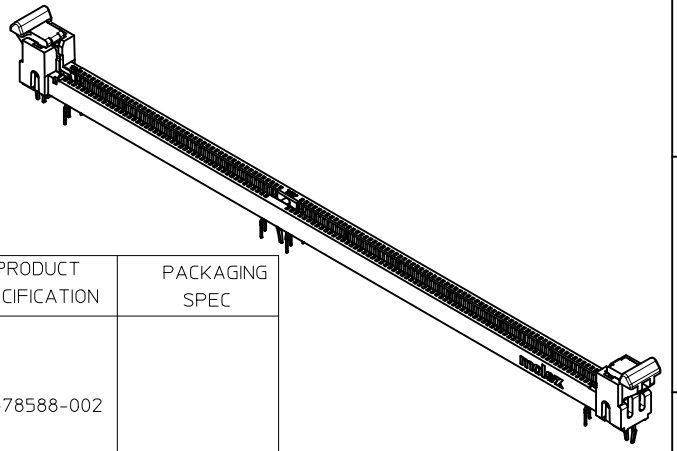
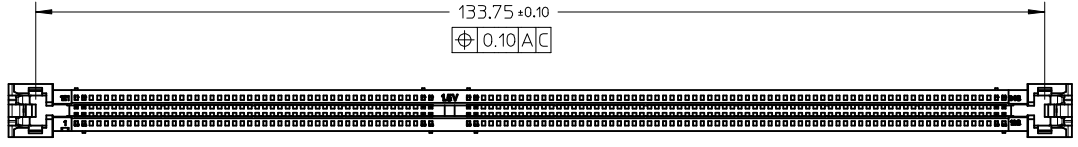
GENERAL TOLERANCES (UNLESS SPECIFIED)	
mm	INCH
4 PLACES ± ---	± ---
3 PLACES ± ---	± ---
2 PLACES ± 0.20	± ---
1 PLACE ± ---	± ---
0 PLACE ±	±
ANGULAR ± 1 °	
DRAFT WHERE APPLICABLE MUST REMAIN WITHIN DIMENSIONS	

DIMENSION STYLE MM ONLY	
DRAWN BY	DATE
VMANICKAM	2011/11/11
CHECKED BY	DATE
CCTEH	2011/12/05
APPROVED BY	DATE
SHLENI	2011/12/07
MATERIAL NO.	
SEE TABLE	
SIZE	A3

SCALE NTS	DESIGN UNITS METRIC	THIRD ANGLE PROJECTION
TITLE		
DDR3, DIMM, 1MM PITCH 240 CKT, VERTICAL, T/H 110 SP, LOW LLCR		
<b>molex</b>		
MATERIAL NO.	DOCUMENT NO.	SHEET NO.
	SD-78588-002	1 OF 4
THIS DRAWING CONTAINS INFORMATION THAT IS PROPRIETARY TO MOLEX INCORPORATED AND SHOULD NOT BE USED WITHOUT WRITTEN PERMISSION		

9 8 7 6 5 4 3 2 1

10 9 8 7 6 5 4 3 2 1

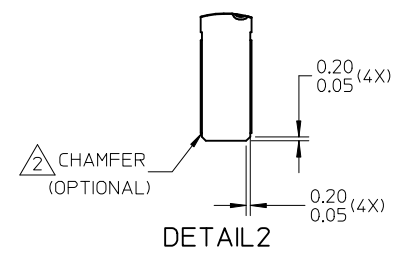
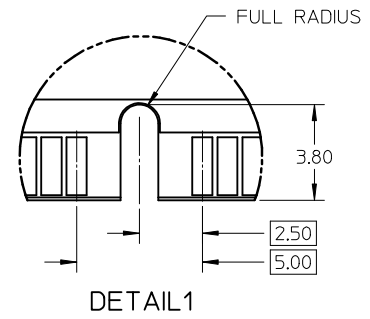
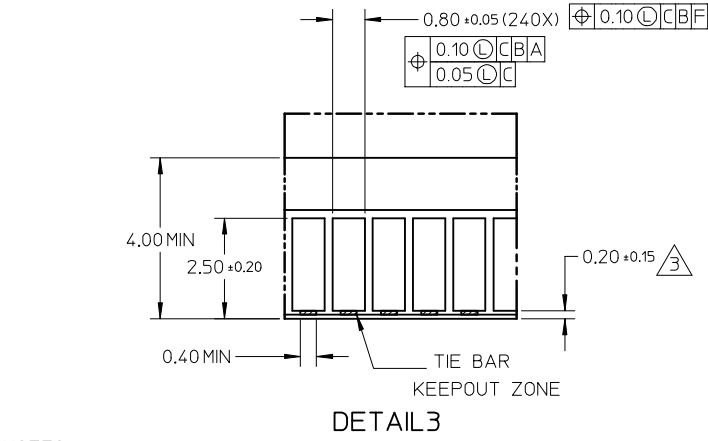
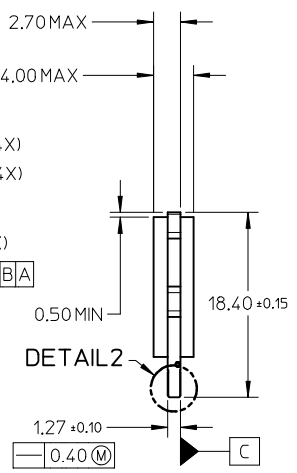
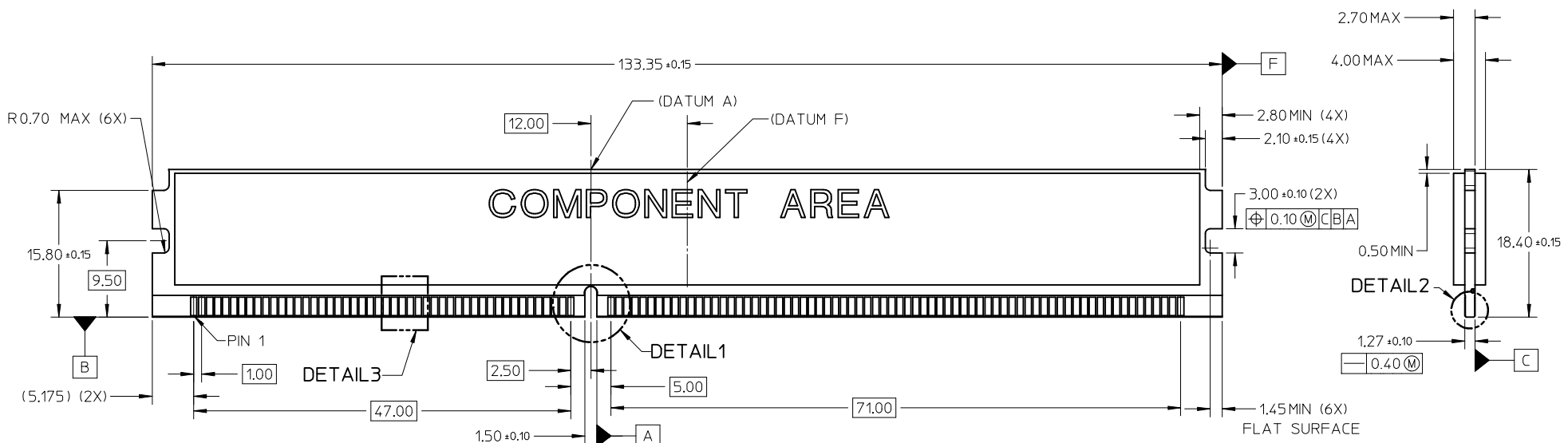


ASSEMBLY PART NO.	VOLTAGE KEY POS	HOUSING COLOR	LATCH COLOR	DIM 'P'	RECOMMENDED PCB THICKNESS	PLATING OPTION	PRODUCT SPECIFICATION	PACKAGING SPEC				
78588-0002	CENTER 1.5V	BLACK	BLACK	3.18	2.36	0.76 μM /30 μM MIN. GOLD ON CONTACT	PS-78588-002	PK-78588-002				
78588-0052			NATURAL (OFF-WHITE)			2.54 μM /100 μM PURE MATTE TIN ON SOLDER TAILS OVER						
78588-0062			NATURAL (OFF-WHITE)			NATURAL (OFF-WHITE)			1.27 μM /50 μM MIN. NICKEL UNDERPLATE			
78588-0066						BLACK						
78588-1502		BLACK	BLACK			2.67			1.57	0.38 μM /15 μM MIN. GOLD ON CONTACT	PS-78588-001	
78588-1552			NATURAL (OFF-WHITE)							2.54 μM /100 μM PURE MATTE TIN ON SOLDER TAILS OVER		
78588-1562			NATURAL (OFF-WHITE)							NATURAL (OFF-WHITE)		1.27 μM /50 μM MIN. NICKEL UNDERPLATE
78588-1566										BLACK		
78588-1507		BLACK	BLACK	3.18	2.36		0.76 μM /30 μM MIN. GOLD ON CONTACT			PS-78588-002		
78588-1557			NATURAL (OFF-WHITE)				2.54 μM /100 μM PURE MATTE TIN ON SOLDER TAILS OVER					
78588-1567			NATURAL (OFF-WHITE)				NATURAL (OFF-WHITE)					1.27 μM /50 μM MIN. NICKEL UNDERPLATE
78588-1568							BLACK					

ADD 2.67 TAIL P.NO EC NO: S2012-0866 DRWN:VMANICKAM 2012/05/16 CHKD:CCTEH 2012/06/05 APPR:SHLENI 2012/06/05	QUALITY SYMBOLS	GENERAL TOLERANCES (UNLESS SPECIFIED)	DIMENSION STYLE MM ONLY	SCALE NTS	DESIGN UNITS METRIC	THIRD ANGLE PROJECTION	
	$\nabla_A = 0$ $\nabla_C = 0$ $\nabla_B = 0$	mm    INCH 4 PLACES ± --- ± --- 3 PLACES ± --- ± --- 2 PLACES ± 0.20 ± --- 1 PLACE ± --- ± --- 0 PLACE ±     ±	DRAWN BY: VMANICKAM    DATE: 2011/11/11 CHECKED BY: CCTEH        DATE: 2011/12/05 APPROVED BY: SHLENI      DATE: 2011/12/07	TITLE	DDR3, DIMM, 1MM PITCH 240 CKT, VERTICAL, T/H 110 SP, LOW LLCR		
	ANGULAR ± 1 ° DRAFT WHERE APPLICABLE MUST REMAIN WITHIN DIMENSIONS	MATERIAL NO. SEE TABLE	DOCUMENT NO. SD-78588-002				
	SIZE A3 THIS DRAWING CONTAINS INFORMATION THAT IS PROPRIETARY TO MOLEX INCORPORATED AND SHOULD NOT BE USED WITHOUT WRITTEN PERMISSION	SHEET NO. 2 OF 4					

9 8 7 6 5 4 3 2 1

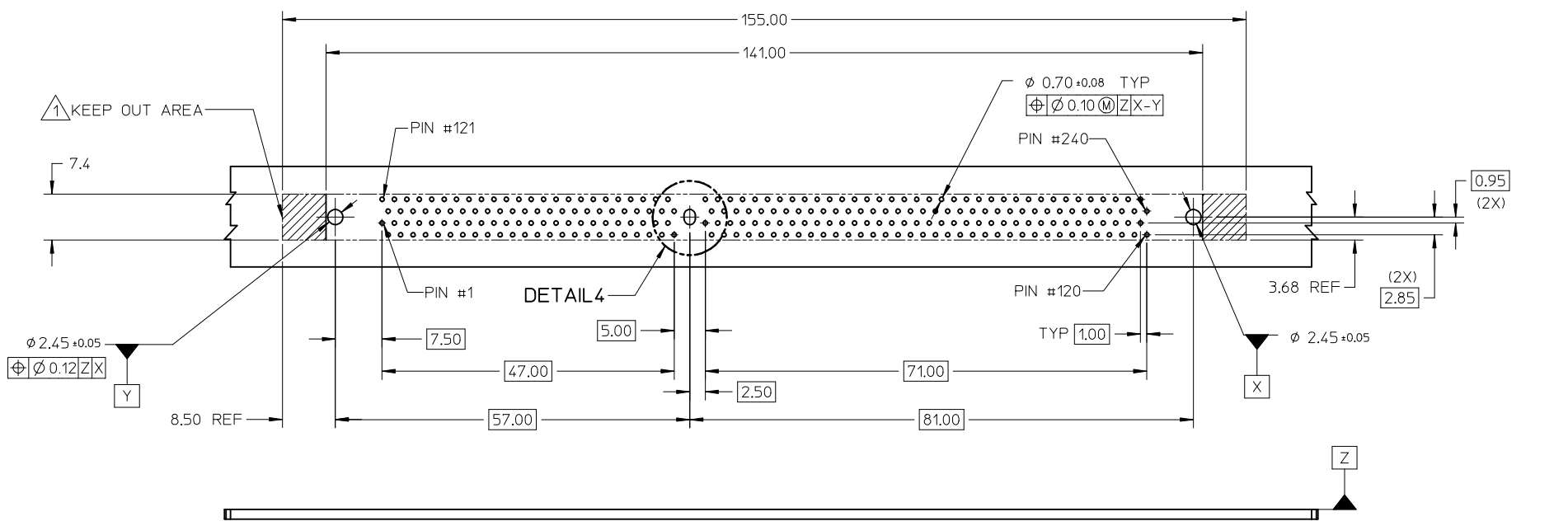
MODULE CARD  
DDR3 DUAL INLINE MEMORY MODULE FAMILY 1.00 CONTACT CENTERS



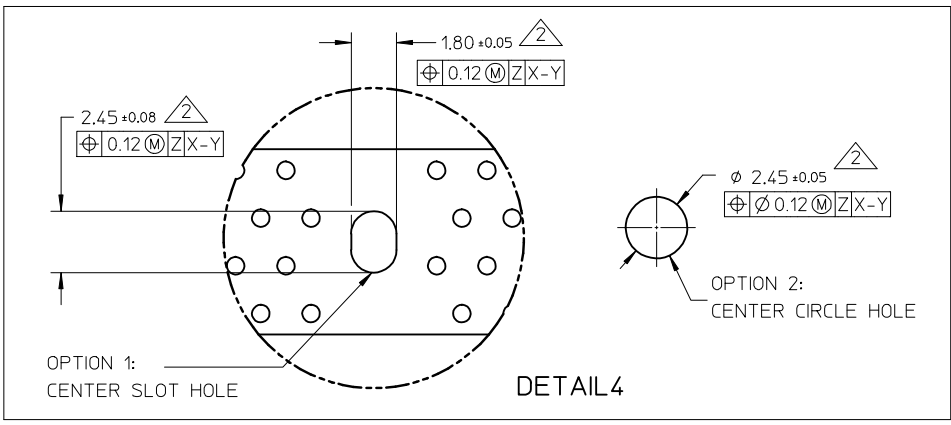
- NOTES:
- RECOMMENDED PLATING FOR CONTACT PADS:  
PREFERRED: 0.76 MICROMETERS GOLD PLATING MIN OVER 2.00 MICROMETERS NICKEL  
ALTERNATIVE: 0.05 TO 0.75 MICROMETERS GOLD PLATING OVER 2.00 MICROMETERS NICKEL MUST USE AN ELECTRONIC CONTACT GRADE CORROSIVE BARRIER LUBRICANT
  - CHAMFER IS OPTIONAL AND IS NOT TO HIT THE GOLD PADS
  - LEADING EDGE OF GOLD PADS SPECIFIED BY KEEP-OUT ZONE SHALL BE FREE OF BURRS AND EXTERNAL TIE BARS

ADD 2.67 TAIL P.NO EC NO: S2012-0866 DRWN:VMANICKAM 2012/05/16 CHKD:CCTEH 2012/06/05 APPR:SHLENI 2012/06/05	QUALITY SYMBOLS F <sub>A</sub> =0 F <sub>C</sub> =0 F <sub>F</sub> =0	GENERAL TOLERANCES (UNLESS SPECIFIED)		DIMENSION STYLE MM ONLY		SCALE NTS	DESIGN UNITS METRIC	THIRD ANGLE PROJECTION		
		4 PLACES ± --- ± ---	3 PLACES ± --- ± ---	2 PLACES ± 0.20 ± ---	1 PLACE ± --- ± ---	0 PLACE ± ±	DRAWN BY VMANICKAM		DATE 2011/11/11	TITLE DDR3, DIMM, 1MM PITCH 240 CKT, VERTICAL, T/H 110 SP, LOW LCCR
		ANGULAR ± 1 °		DRAFT WHERE APPLICABLE MUST REMAIN WITHIN DIMENSIONS		MATERIAL NO. SEE TABLE		DOCUMENT NO. SD-78588-002		SHEET NO. 3 OF 4
		DRAFT WHERE APPLICABLE MUST REMAIN WITHIN DIMENSIONS		SIZE A3		THIS DRAWING CONTAINS INFORMATION THAT IS PROPRIETARY TO MOLEX INCORPORATED AND SHOULD NOT BE USED WITHOUT WRITTEN PERMISSION				

10 9 8 7 6 5 4 3 2 1



KEEP OUT AREA IS THE AREA WHERE THE CONNECTOR (INCLUDING LATCHES) IS MOUNTED ON THE PCB



ADD 2.67 TAIL P.NO EC NO: S2012-0866 DRWN: VMANICKAM 2012/05/16 CH'KD: CCTEH 2012/06/05 APPR: SHLENI 2012/06/05	REV 2	DESCRIPTION 2012/05/16 2012/06/05 2012/06/05	QUALITY SYMBOLS	GENERAL TOLERANCES (UNLESS SPECIFIED)	DIMENSION STYLE	SCALE	DESIGN UNITS	THIRD ANGLE PROJECTION																						
			$\nabla = 0$ $\nabla = 0$ $\nabla = 0$	<table border="1"> <tr><th></th><th>mm</th><th>INCH</th></tr> <tr><td>4 PLACES</td><td>± ---</td><td>± ---</td></tr> <tr><td>3 PLACES</td><td>± ---</td><td>± ---</td></tr> <tr><td>2 PLACES</td><td>± 0.20</td><td>± ---</td></tr> <tr><td>1 PLACE</td><td>± ---</td><td>± ---</td></tr> <tr><td>0 PLACE</td><td>±</td><td>±</td></tr> </table>		mm	INCH	4 PLACES	± ---	± ---	3 PLACES	± ---	± ---	2 PLACES	± 0.20	± ---	1 PLACE	± ---	± ---	0 PLACE	±	±	MM ONLY	NTS	METRIC	<input checked="" type="checkbox"/> THIRD ANGLE PROJECTION				
				mm	INCH																									
			4 PLACES	± ---	± ---																									
3 PLACES	± ---	± ---																												
2 PLACES	± 0.20	± ---																												
1 PLACE	± ---	± ---																												
0 PLACE	±	±																												
<table border="1"> <tr><td>4 PLACES</td><td>± ---</td><td>± ---</td></tr> <tr><td>3 PLACES</td><td>± ---</td><td>± ---</td></tr> <tr><td>2 PLACES</td><td>± 0.20</td><td>± ---</td></tr> <tr><td>1 PLACE</td><td>± ---</td><td>± ---</td></tr> <tr><td>0 PLACE</td><td>±</td><td>±</td></tr> </table>	4 PLACES	± ---	± ---	3 PLACES	± ---	± ---	2 PLACES	± 0.20	± ---	1 PLACE	± ---	± ---	0 PLACE	±	±	<table border="1"> <tr><th>DRAWN BY</th><th>DATE</th></tr> <tr><td>VMANICKAM</td><td>2011/11/11</td></tr> <tr><th>CHECKED BY</th><th>DATE</th></tr> <tr><td>CCTEH</td><td>2011/12/05</td></tr> <tr><th>APPROVED BY</th><th>DATE</th></tr> <tr><td>SHLENI</td><td>2011/12/07</td></tr> </table>	DRAWN BY	DATE	VMANICKAM	2011/11/11	CHECKED BY	DATE	CCTEH	2011/12/05	APPROVED BY	DATE	SHLENI	2011/12/07	TITLE	DDR3, DIMM, 1MM PITCH 240 CKT, VERTICAL, T/H 110 SP, LOW LCCR
4 PLACES	± ---	± ---																												
3 PLACES	± ---	± ---																												
2 PLACES	± 0.20	± ---																												
1 PLACE	± ---	± ---																												
0 PLACE	±	±																												
DRAWN BY	DATE																													
VMANICKAM	2011/11/11																													
CHECKED BY	DATE																													
CCTEH	2011/12/05																													
APPROVED BY	DATE																													
SHLENI	2011/12/07																													
DRAFT WHERE APPLICABLE MUST REMAIN WITHIN DIMENSIONS					SEE TABLE	MATERIAL NO. SD-78588-002	DOCUMENT NO.	SHEET NO. 4 OF 4																						

9 8 7 6 5 4 3 2 1