



Chipsmall Limited consists of a professional team with an average of over 10 year of expertise in the distribution of electronic components. Based in Hongkong, we have already established firm and mutual-benefit business relationships with customers from,Europe,America and south Asia,supplying obsolete and hard-to-find components to meet their specific needs.

With the principle of "Quality Parts,Customers Priority,Honest Operation,and Considerate Service",our business mainly focus on the distribution of electronic components. Line cards we deal with include Microchip,ALPS,ROHM,Xilinx,Pulse,ON,Everlight and Freescale. Main products comprise IC,Modules,Potentiometer,IC Socket,Relay,Connector.Our parts cover such applications as commercial,industrial, and automotives areas.

We are looking forward to setting up business relationship with you and hope to provide you with the best service and solution. Let us make a better world for our industry!



Contact us

Tel: +86-755-8981 8866 Fax: +86-755-8427 6832

Email & Skype: info@chipsmall.com Web: www.chipsmall.com

Address: A1208, Overseas Decoration Building, #122 Zhenhua RD., Futian, Shenzhen, China



F

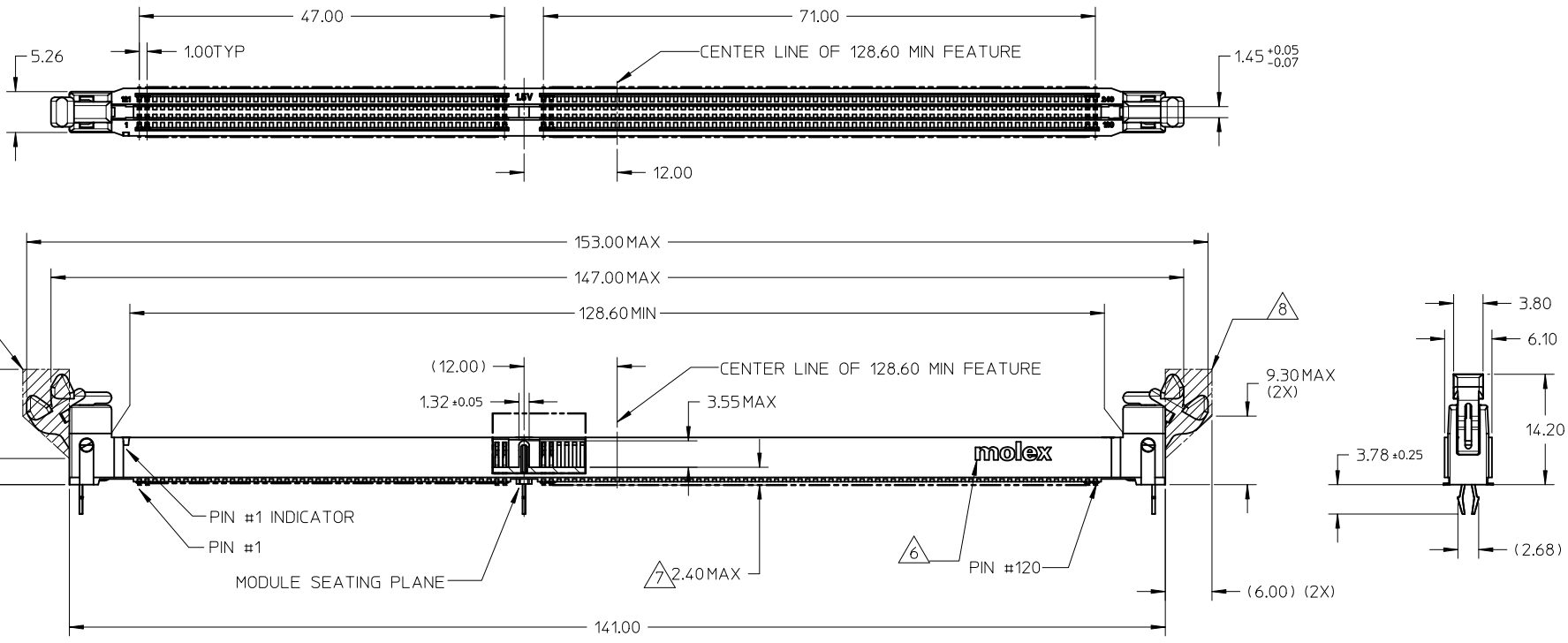
E

D

C

B

A

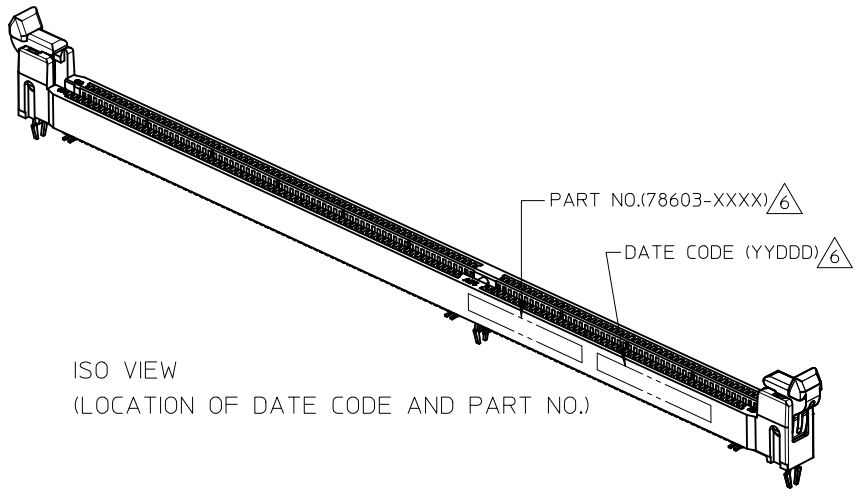
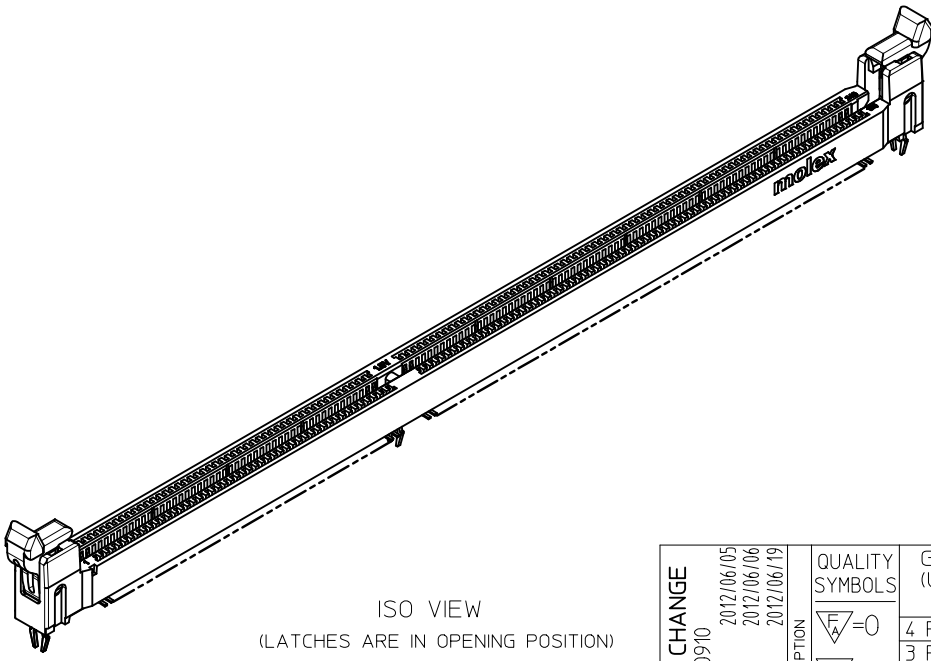
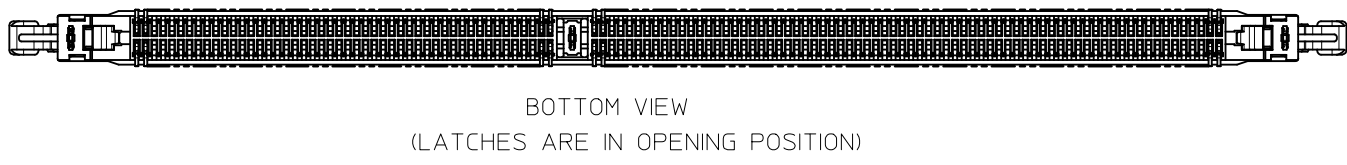
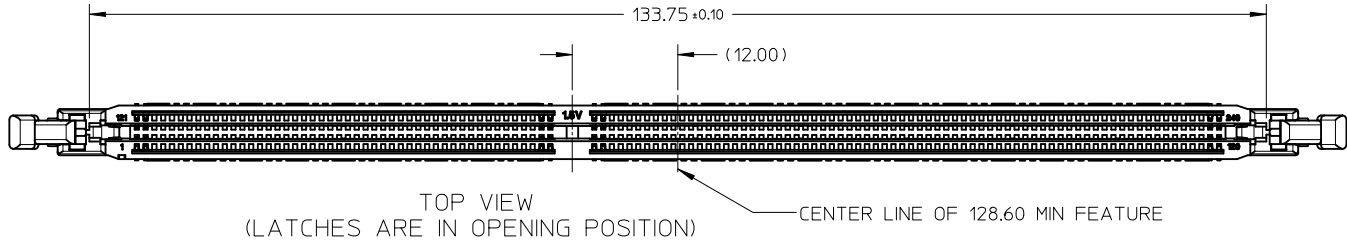


- NOTES:
- MATERIAL : HOUSING - LCP, GLASS FILLED, UL 94V-0
COLOUR : BLACK.
LATCH - NYLON, GLASS FILLED, UL 94V-0
COLOUR : SEE TABLE ON SHEET 5.
TERMINAL : COPPER ALLOY.
 - FINISHES - SEE TABLE ON SHEET 5.
 - PRODUCT SPECIFICATION : PS-78603-001.
 - PACKAGING SPECIFICATION: PRODUCT SHALL BE PACKED IN TRAY
 - CARD SLOT ACCEPTS 1.27±0.10MM MODULE THICKNESS (MEASURED FROM P.C. PADS).
6. MOLEX LOGO, DATE & PART NO. INDICATED ON HOUSING.
7. MODULE SEATING PLANE FROM TOP OF PCB.
8. KEEP OUT ZONE RESERVED FOR LATCH.
9. KEEP OUT AREA IS THE AREA WHERE THE CONNECTOR (INCLUDED LATCHES IN OPENING POSITION) IS MOUNTED ON THE PCB.

THIS DESIGN IS BASED ON DESIGN OBJECTIVES AND IS STRICTLY TENTATIVE. IT MAY CHANGE BASED ON RESULTS OF ADDITIONAL DESIGN REVIEWS AND VERIFICATIONS.

FORK LOCK CHANGE EC NO: S2012-0910 DRWIN: JAKEEWEW 2012/06/05 CHYKD: CGTAN 2012/06/06 APPR: SHLENI 2012/06/19	QUALITY SYMBOLS $\nabla = 0$ $\nabla = 0$ $\nabla = 0$	GENERAL TOLERANCES (UNLESS SPECIFIED) <table border="1"> <thead> <tr> <th></th> <th>mm</th> <th>INCH</th> </tr> </thead> <tbody> <tr> <td>4 PLACES</td> <td>± ---</td> <td>± ---</td> </tr> <tr> <td>3 PLACES</td> <td>± ---</td> <td>± ---</td> </tr> <tr> <td>2 PLACES</td> <td>± 0.20</td> <td>± ---</td> </tr> <tr> <td>1 PLACE</td> <td>± ---</td> <td>± ---</td> </tr> <tr> <td>0 PLACE</td> <td>±</td> <td>±</td> </tr> </tbody> </table>		mm	INCH	4 PLACES	± ---	± ---	3 PLACES	± ---	± ---	2 PLACES	± 0.20	± ---	1 PLACE	± ---	± ---	0 PLACE	±	±	DIMENSION STYLE MM ONLY	SCALE NTS	DESIGN UNITS METRIC	THIRD ANGLE PROJECTION
		mm	INCH																					
	4 PLACES	± ---	± ---																					
	3 PLACES	± ---	± ---																					
2 PLACES	± 0.20	± ---																						
1 PLACE	± ---	± ---																						
0 PLACE	±	±																						
REV 4	DRAFT WHERE APPLICABLE MUST REMAIN WITHIN DIMENSIONS	DRAWN BY: CCTEH CHECKED BY: CGTAN APPROVED BY: SHLENI	DATE: 2010/03/30 DATE: 2010/09/08 DATE: 2010/09/08	TITLE 1MM PITCH DDR3 VLP LSP 240CKTS SMT LOWLLCR	MATERIAL NO. SEE TABLE	DOCUMENT NO. SD-78603-001																		
		ANGULAR ± 3°	SIZE A3	THIS DRAWING CONTAINS INFORMATION THAT IS PROPRIETARY TO MOLEX INCORPORATED AND SHOULD NOT BE USED WITHOUT WRITTEN PERMISSION																				
					SHEET NO. 1 OF 6																			

10 9 8 7 6 5 4 3 2 1



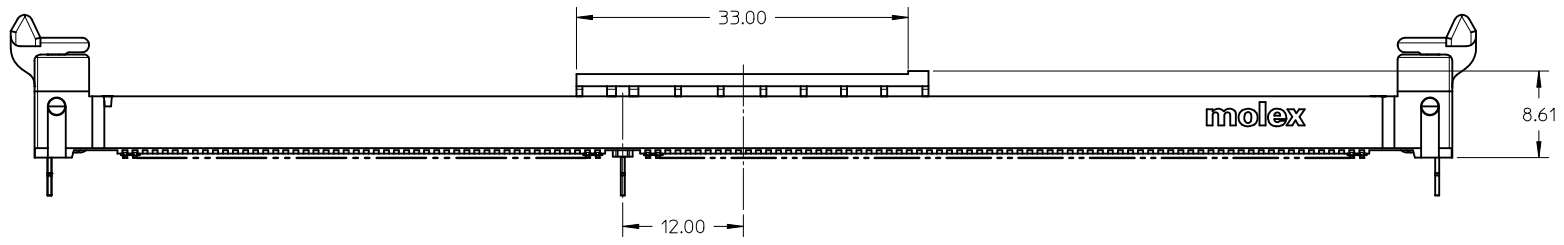
ISO VIEW
(LATCHES ARE IN OPENING POSITION)

FORK LOCK CHANGE EC NO: S2012-0910 DRWN: JAKEEWEW 2012/06/05 CHYKD: CGTAN 2012/06/06 APPR: SHLENI 2012/06/19 REV 4	QUALITY SYMBOLS $\nabla_F=0$ $\nabla_E=0$ $\nabla_P=0$	GENERAL TOLERANCES (UNLESS SPECIFIED) <table border="1"> <thead> <tr> <th></th> <th>mm</th> <th>INCH</th> </tr> </thead> <tbody> <tr> <td>4 PLACES</td> <td>± ---</td> <td>± ---</td> </tr> <tr> <td>3 PLACES</td> <td>± ---</td> <td>± ---</td> </tr> <tr> <td>2 PLACES</td> <td>± 0.20</td> <td>± ---</td> </tr> <tr> <td>1 PLACE</td> <td>± ---</td> <td>± ---</td> </tr> <tr> <td>0 PLACE</td> <td>±</td> <td>±</td> </tr> </tbody> </table>		mm	INCH	4 PLACES	± ---	± ---	3 PLACES	± ---	± ---	2 PLACES	± 0.20	± ---	1 PLACE	± ---	± ---	0 PLACE	±	±	DIMENSION STYLE MM ONLY	SCALE NTS	DESIGN UNITS METRIC	THIRD ANGLE PROJECTION
		mm	INCH																					
	4 PLACES	± ---	± ---																					
	3 PLACES	± ---	± ---																					
2 PLACES	± 0.20	± ---																						
1 PLACE	± ---	± ---																						
0 PLACE	±	±																						
	ANGULAR ± 3 ° DRAFT WHERE APPLICABLE MUST REMAIN WITHIN DIMENSIONS	DRAWN BY CCTEH	DATE 2010/03/30	TITLE 1MM PITCH DDR3 VLP LSP 240CKTS SMT LOWLLCR																				
		APPROVED BY SHLENI	DATE 2010/09/08	molex																				
		MATERIAL NO. SEE TABLE	DOCUMENT NO. SD-78603-001			SHEET NO. 2 OF 6																		

9 8 7 6 5 4 3 2 1

10 9 8 7 6 5 4 3 2 1

PICK AND PLACE CAP VERSION

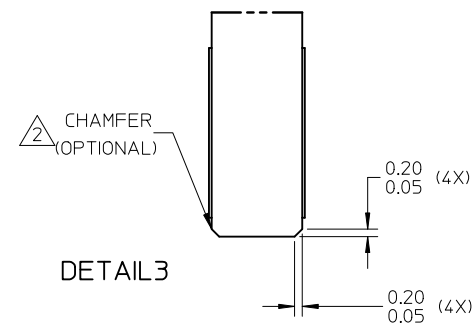
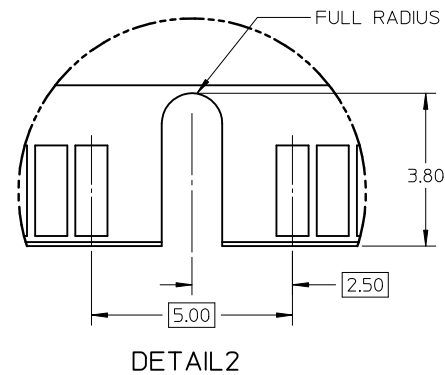
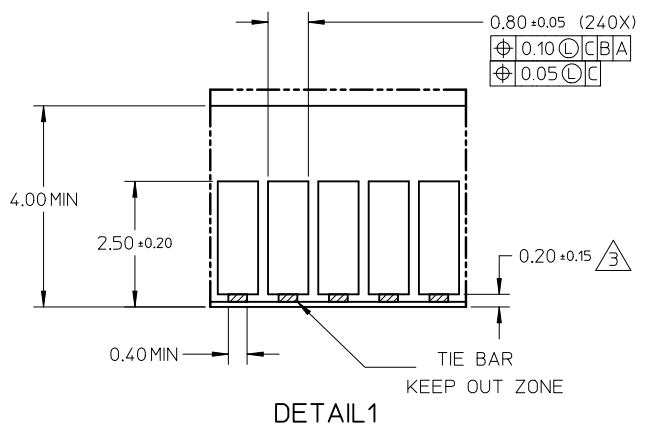
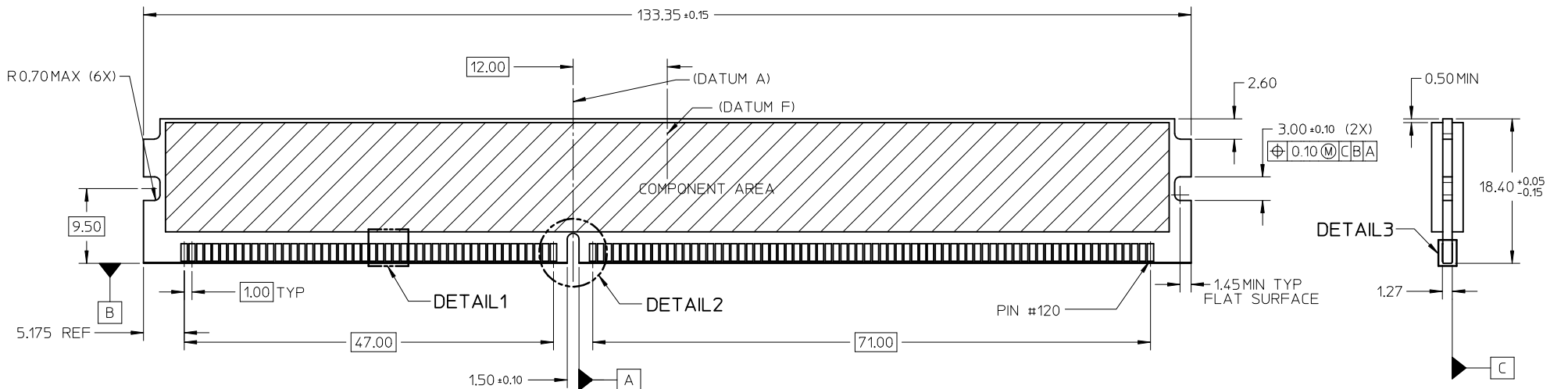


FORK LOCK CHANGE EC NO: S2012-0910 DRWN: JAKEEWEW 2012/06/05 CH'KD: CGTAN 2012/06/06 APPR: SHLENI 2012/06/19	REV 4	DESCRIPTION QUALITY SYMBOLS $\nabla_{\text{A}}=0$ $\nabla_{\text{B}}=0$ $\nabla_{\text{C}}=0$	GENERAL TOLERANCES (UNLESS SPECIFIED)		DIMENSION STYLE MM ONLY	SCALE NTS	DESIGN UNITS METRIC	THIRD ANGLE PROJECTION		
						DRAWN BY CCTEH	DATE 2010/03/30	TITLE 1MM PITCH DDR3 VLP LSP 240CKTS SMT LOWLLCR		
						CHECKED BY CGTAN	DATE 2010/09/08			
							APPROVED BY SHLENI	DATE 2010/09/08	MATERIAL NO. DOCUMENT NO. SHEET NO. SEE TABLE SD-78603-001 3 OF 6	
4 PLACES ± --- ± --- 3 PLACES ± --- ± --- 2 PLACES ± 0.20 ± --- 1 PLACE ± --- ± --- 0 PLACE ± ±		ANGULAR ± 3 ° DRAFT WHERE APPLICABLE MUST REMAIN WITHIN DIMENSIONS		THIS DRAWING CONTAINS INFORMATION THAT IS PROPRIETARY TO MOLEX INCORPORATED AND SHOULD NOT BE USED WITHOUT WRITTEN PERMISSION						

9 8 7 6 5 4 3 2 1

10 9 8 7 6 5 4 3 2 1

009MODULE CARD
 DDR3 DUAL INLINE MEMORY MODULE FAMILY 1.00 CONTACT CENTERS
 (JEDEC MO-269, ISSUE A, 12/05)

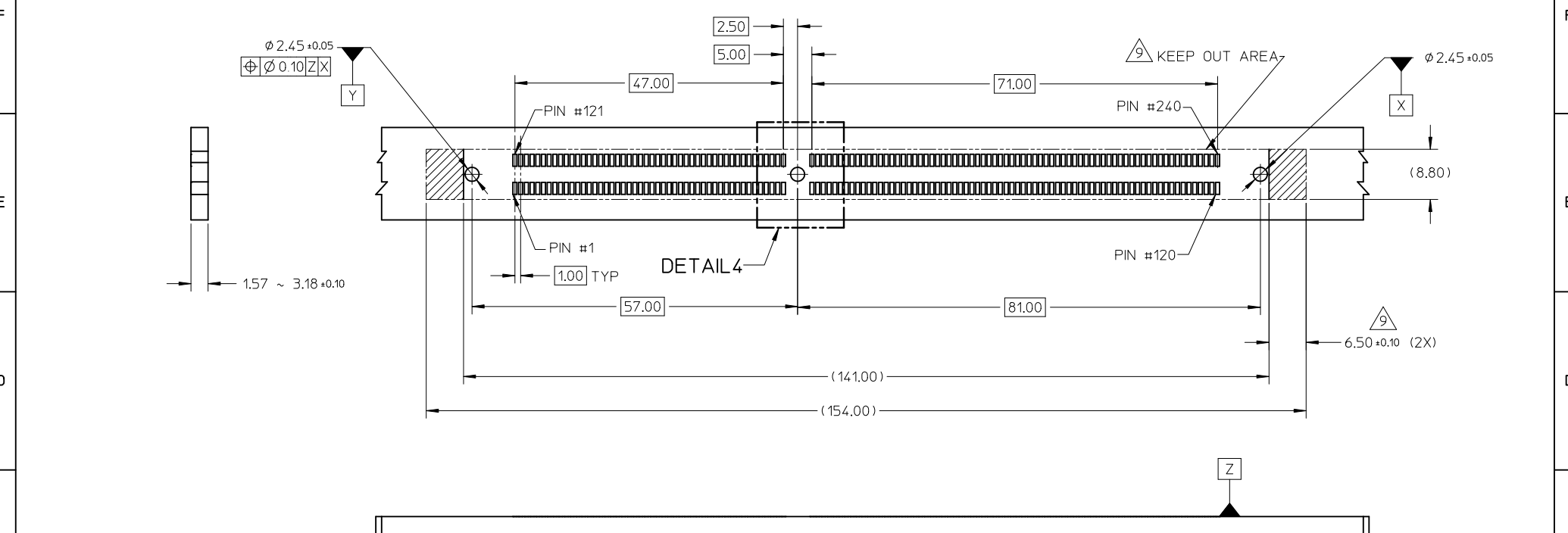


NOTES:
 1. RECOMMENDED PLATING FOR CONTACT PADS:
 PREFERRED: 0.76 MICROMETERS GOLD PLATING MIN
 OVER 2.00 MICROMETERS NICKEL
 ALTERNATIVE: 0.05-0.75 MICROMETERS GOLD PLATING
 OVER 2.00 MICROMETERS NICKEL MUST
 USE AN ELECTRONIC CONTACT GRADE
 CORROSIVE BARRIER LUBRICANT
 2. CHAMFER IS OPTIONAL AND IS NOT TO HIT THE GOLD PADS
 3. LEADING EDGE OF GOLD PADS SPECIFIED BY KEEP-OUT ZONE
 SHALL BE FREE OF BURRS AND EXTERNAL TIE BARS

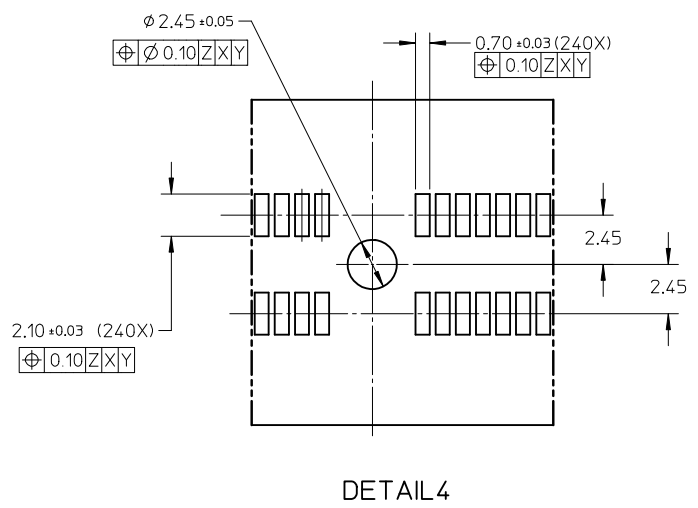
FORK LOCK CHANGE EC NO: S2012-0910 DRWN: JAKEEWEW 2012/06/05 CHKD: CGTAN 2012/06/06 APPR: SHLENI 2012/06/19	QUALITY SYMBOLS F _A =0 F _G =0 F _P =0	GENERAL TOLERANCES (UNLESS SPECIFIED)		DIMENSION STYLE	SCALE	DESIGN UNITS	THIRD ANGLE PROJECTION	
				MM ONLY	NTS	METRIC		
		4 PLACES	± ---	± ---	DRAWN BY	DATE	TITLE	
		3 PLACES	± ---	± ---	CGTEH	2010/03/30	1MM PITCH DDR3 VLP LSP 240CKTS SMT LOWLLCR	
				CHECKED BY	DATE			
				CGTAN	2010/09/08			
				APPROVED BY	DATE			
				SHLENI	2010/09/08			
				MATERIAL NO.	DOCUMENT NO.			
				SEE TABLE	SD-78603-001			
				SIZE	THIS DRAWING CONTAINS INFORMATION THAT IS PROPRIETARY TO MOLEX INCORPORATED AND SHOULD NOT BE USED WITHOUT WRITTEN PERMISSION			
				A 3				
						SHEET NO.		
						4 OF 6		

9 8 7 6 5 4 3 2 1

10 9 8 7 6 5 4 3 2 1



RECOMMENDED STENCIL THICKNESS = 150 MICROMETERS
 RECOMMENDED PCB THICKNESS = 1.57MM ~ 3.18MM



FORK LOCK CHANGE EC NO: S2012-0910 DRWN: JAKEENW 2012/06/05 CHKD: CGTAN 2012/06/06 APPR: SHLENI 2012/06/19	QUALITY SYMBOLS	GENERAL TOLERANCES (UNLESS SPECIFIED)		DIMENSION STYLE MM ONLY		SCALE NTS	DESIGN UNITS METRIC	THIRD ANGLE PROJECTION
	$F_A = 0$	4 PLACES	± ---	± ---	DRAWN BY	DATE	TITLE	1MM PITCH DDR3 VLP LSP 240CKTS SMT LOWLLCR molex DOCUMENT NO. SD-78603-001 SHEET NO. 5 OF 6
	$F_C = 0$	3 PLACES	± ---	± ---	CCTEH	2010/03/30	SEE TABLE	
	$F_G = 0$	2 PLACES	± 0.20	± ---	CHECKED BY	DATE		
$F_P = 0$	1 PLACE	± ---	± ---	CGTAN	2010/09/08			
		0 PLACE	±	±	APPROVED BY	DATE		
			ANGULAR ± 3 °		SHLENI	2010/09/08		
			DRAFT WHERE APPLICABLE MUST REMAIN WITHIN DIMENSIONS		MATERIAL NO.			
					SIZE A3	THIS DRAWING CONTAINS INFORMATION THAT IS PROPRIETARY TO MOLEX INCORPORATED AND SHOULD NOT BE USED WITHOUT WRITTEN PERMISSION		

9 8 7 6 5 4 3 2 1

PART NUMBER	VOLTAGE KEY POSITION	PLATING OPTION	HOUSING COLOR	PICK & PLACE CAP	LATCH COLOR
78603-0001	CENTER 1.5V	0.76 μ-METER /30 μ-INCH MIN. GOLD ON CONTACT 2.54 μ-METER /100 μ-INCH MIN. PURE TIN (MATTE) ON SOLDER TAILS 1.27 μ-METER /50 μ-INCH MIN. NICKEL UNDERPLATE	BLACK	NO	BLACK
78603-0002					NATURAL
78603-0003					BLUE
78603-0501				YES	BLACK
78603-0502					NATURAL
78603-0503					BLUE

FORK LOCK CHANGE EC NO: S2012-0910 DRWN: JAKEEMEW 2012/06/05 CH'KD: CGTAN 2012/06/06 APPR: SHLENI 2012/06/19	REV 4	DESCRIPTION QUALITY SYMBOLS ▽=0 ▽=0 ▽=0	GENERAL TOLERANCES (UNLESS SPECIFIED)		DIMENSION STYLE MM ONLY		SCALE NTS	DESIGN UNITS METRIC	THIRD ANGLE PROJECTION			
							DRAWN BY CCTEH	DATE 2010/03/30	TITLE 1MM PITCH DDR3 VLP LSP 240CKTS SMT LOWLLCR			
							CHECKED BY CGTAN	DATE 2010/09/08				
								APPROVED BY SHLENI	DATE 2010/09/08	molex MATERIAL NO. DOCUMENT NO. SD-78603-001 SHEET NO. 6 OF 6		
					SEE TABLE							
			ANGULAR ± 3 °		DRAFT WHERE APPLICABLE MUST REMAIN WITHIN DIMENSIONS		THIS DRAWING CONTAINS INFORMATION THAT IS PROPRIETARY TO MOLEX INCORPORATED AND SHOULD NOT BE USED WITHOUT WRITTEN PERMISSION					