



Chipsmall Limited consists of a professional team with an average of over 10 year of expertise in the distribution of electronic components. Based in Hongkong, we have already established firm and mutual-benefit business relationships with customers from,Europe,America and south Asia,supplying obsolete and hard-to-find components to meet their specific needs.

With the principle of "Quality Parts,Customers Priority,Honest Operation,and Considerate Service",our business mainly focus on the distribution of electronic components. Line cards we deal with include Microchip,ALPS,ROHM,Xilinx,Pulse,ON,Everlight and Freescale. Main products comprise IC,Modules,Potentiometer,IC Socket,Relay,Connector.Our parts cover such applications as commercial,industrial, and automotives areas.

We are looking forward to setting up business relationship with you and hope to provide you with the best service and solution. Let us make a better world for our industry!



## Contact us

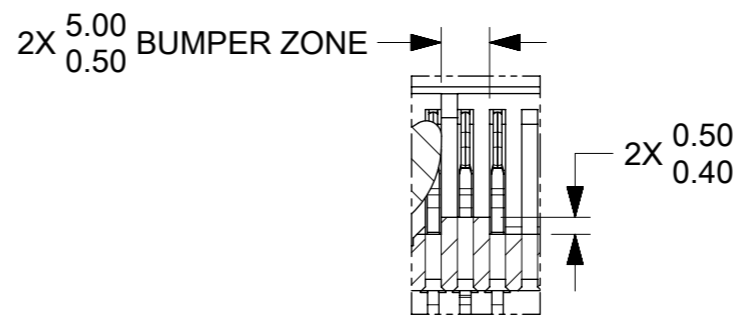
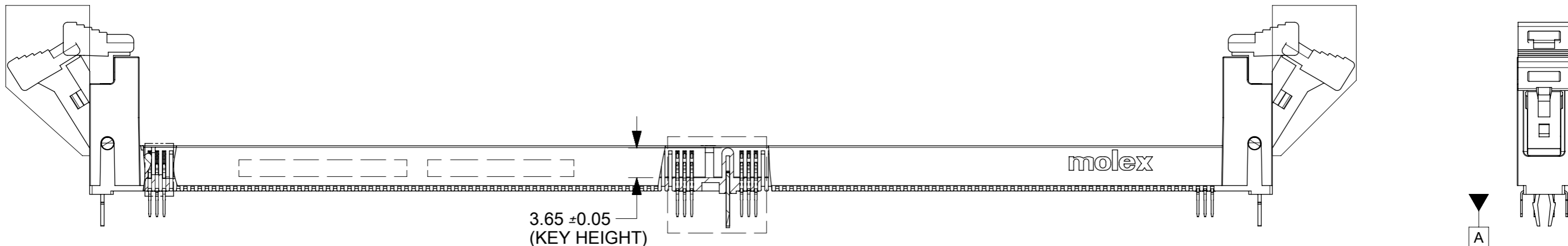
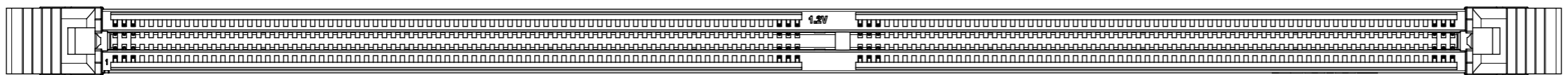
Tel: +86-755-8981 8866 Fax: +86-755-8427 6832

Email & Skype: info@chipsmall.com Web: www.chipsmall.com

Address: A1208, Overseas Decoration Building, #122 Zhenhua RD., Futian, Shenzhen, China



9 8 7 6 5 4 3 2 1



molex

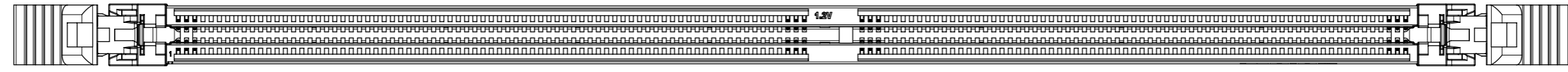
A

<b>QUALITY SYMBOLS</b> 	THIS DRAWING CONTAINS INFORMATION THAT IS PROPRIETARY TO MOLEX ELECTRONIC TECHNOLOGIES, LLC AND SHOULD NOT BE USED WITHOUT WRITTEN PERMISSION										
	RE-MASTERED IN NX EC NO: 111218 DRWN: VNANDAM CHK'D: EKSOH REV APPR: SHLENI	2016/08/03 2016/12/12 2017/01/04		GENERAL TOLERANCES (UNLESS SPECIFIED)		DIMENSION UNITS MM      INCH		SCALE NTS			
		4 PLACES	±	±	DRWN BY	DATE		EKSOH      2012/03/08			
		3 PLACES	±	±	CHK'D BY	DATE		CGTAN      2012/05/08			
		2 PLACES	±	0.2	±	APPR BY	DATE		SHLENI      2012/07/13		
		1 PLACES	±	±	DRAWING SIZE		THIRD ANGLE PROJECTION		A3		
	0 PLACES	±	±	ANGULAR TOL = 3.0		DRAFT WHERE APPLICABLE MUST REMAIN WITHIN DIMENSIONS		78726      SEE TABLE      GENERAL MARKET			
	□ = 0	DOCUMENT NUMBER		DOC TYPE		DOC PART		SHEET NUMBER		SD-78726-002      PSD      000      1 OF 6	
	■ = 0	RELEASE STATUS		RELEASE DATE							
	▽ = 0										

9 8 7 6 5 4 3 2 1

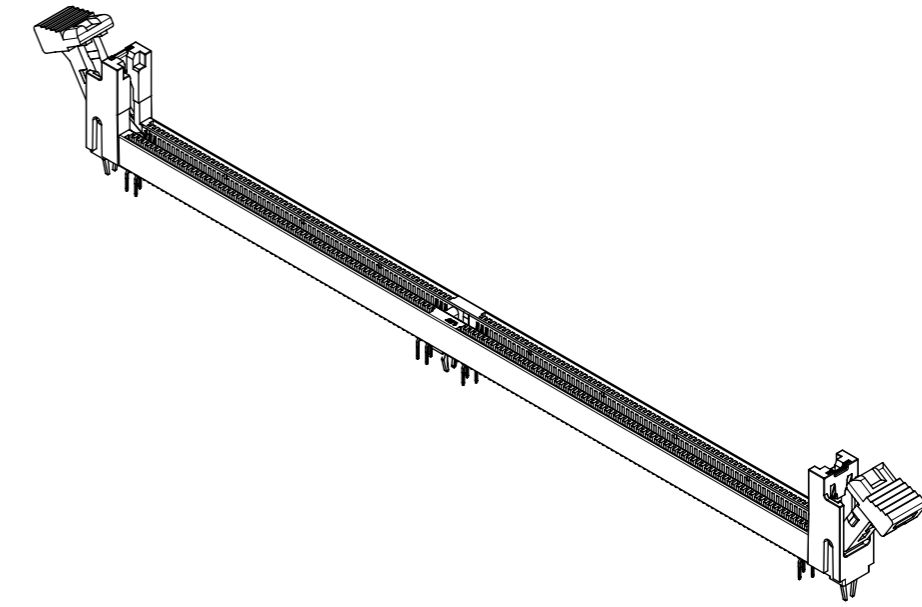
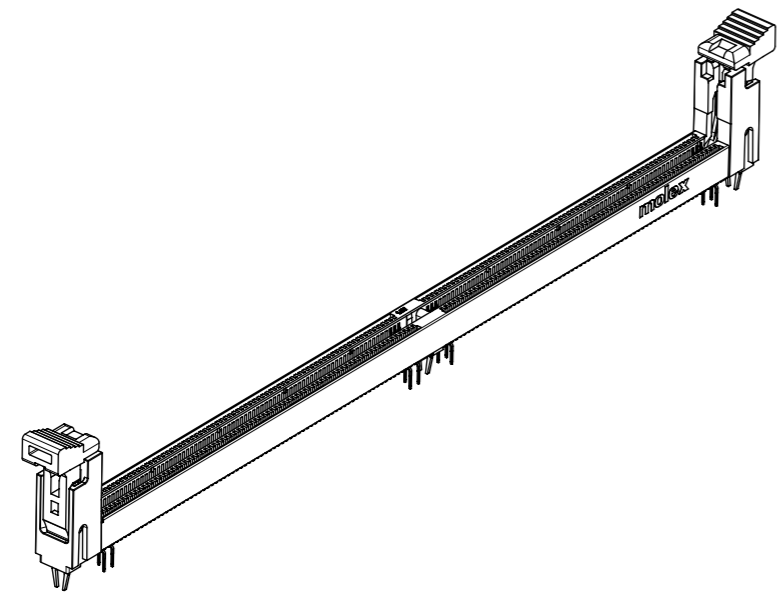
E

E



D

D



C

C

B

B

A

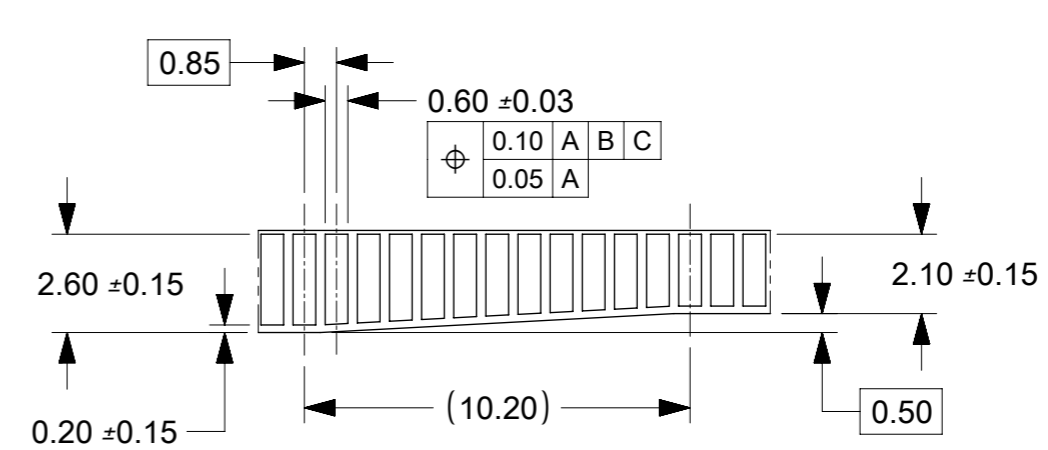
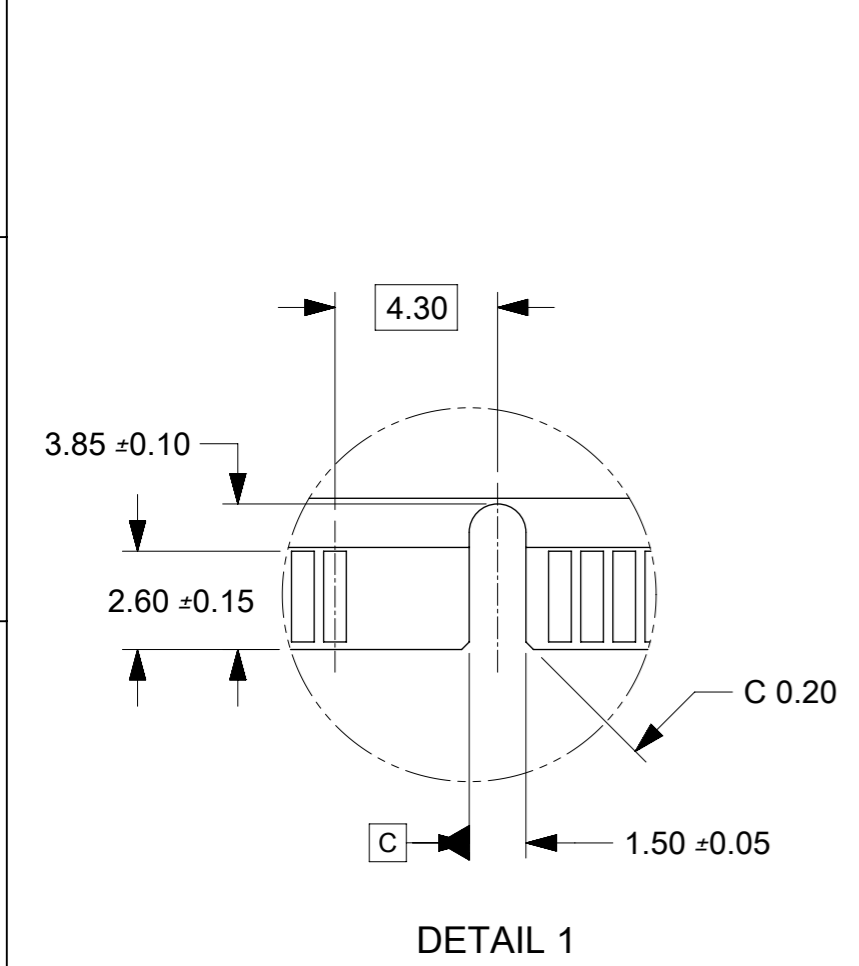
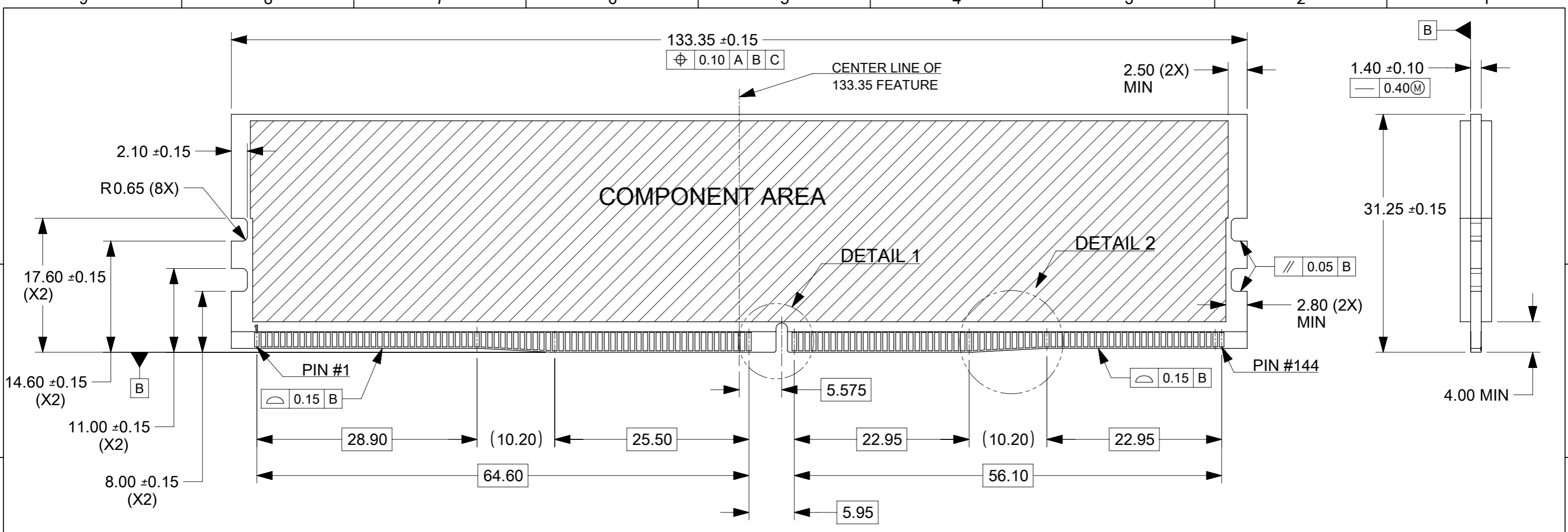
A

THIS DRAWING CONTAINS INFORMATION THAT IS PROPRIETARY TO MOLEX ELECTRONIC TECHNOLOGIES, LLC AND SHOULD NOT BE USED WITHOUT WRITTEN PERMISSION													
<b>QUALITY SYMBOLS</b> 	RE-MASTERED IN NX EC NO: 111218 DRWN: VNANDAM CHK'D: EKSOH REV APPR: SHLENI	GENERAL TOLERANCES (UNLESS SPECIFIED)		DIMENSION UNITS		SCALE		 DDR4 DIMM, 0.85MM PITCH 288CKTS, VERTICAL TH					
				MM	INCH	MM	NTS						
				4 PLACES ±	±	DRWN BY	DATE	EKSOH		2012/03/08		PRODUCT CUSTOMER DRAWING SERIES: 78726 MATERIAL NUMBER: SEE TABLE CUSTOMER: GENERAL MARKET	
				3 PLACES ±	±	CHK'D BY	DATE	CGTAN		2012/05/08			
				2 PLACES ±	0.2 ±	APPR BY	DATE	SHLENI		2012/07/13			
				1 PLACES ±	±	DRAWING SIZE		THIRD ANGLE PROJECTION		DOCUMENT NUMBER: SD-78726-002 DOC TYPE: PSD DOC PART: 000 SHEET NUMBER: 2 OF 6			
				0 PLACES ±	±	A3							
				ANGULAR TOL = 3.0									
				DRAFT WHERE APPLICABLE MUST REMAIN WITHIN DIMENSIONS									

RELEASE STATUS	RELEASE DATE
----------------	--------------

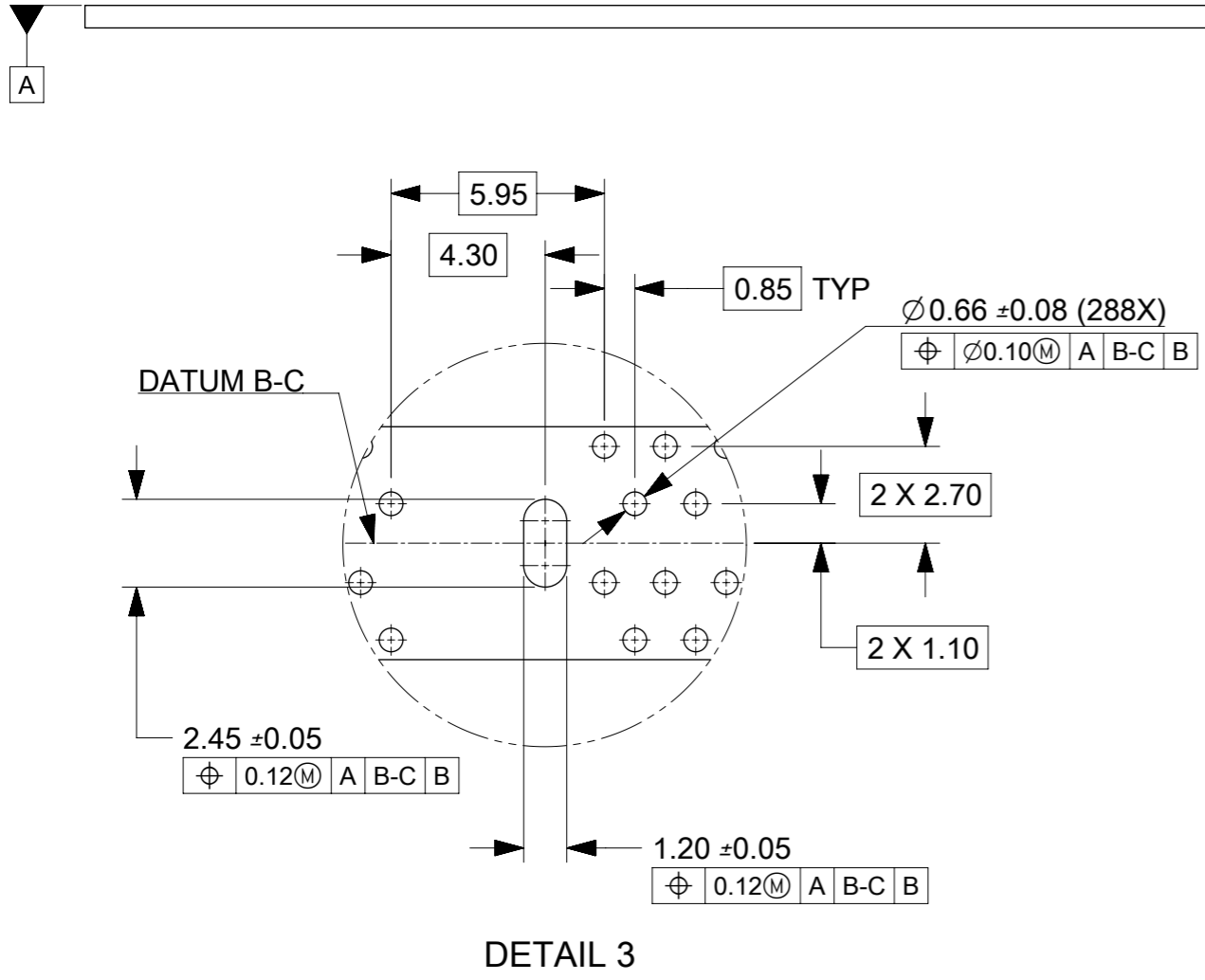
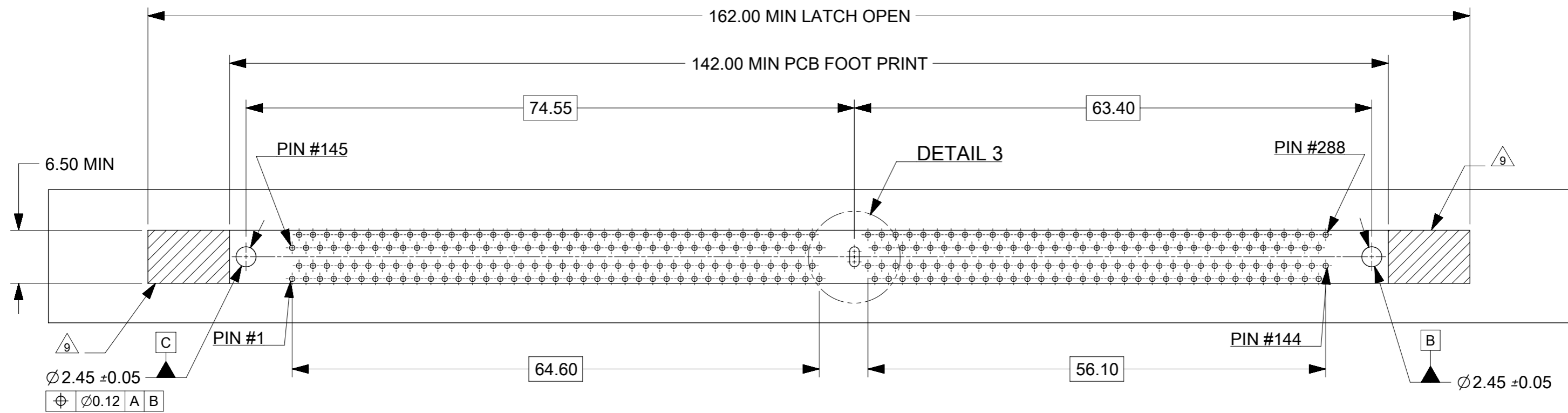
9 8 7 6 5 4 3 2 1

FORMA: Met-lega-master-ib-prod-A3  
 REVISION: C  
 DATE: 2016/02/04



RELEASE STATUS	RELEASE DATE
----------------	--------------

THIS DRAWING CONTAINS INFORMATION THAT IS PROPRIETARY TO MOLEX ELECTRONIC TECHNOLOGIES, LLC AND SHOULD NOT BE USED WITHOUT WRITTEN PERMISSION																	
QUALITY SYMBOLS	RE-MASTERED IN NX	EC NO: 111218	DRWN: VNANDAM	CHK'D: EKSOH	REV APPR: SHLENI	GENERAL TOLERANCES (UNLESS SPECIFIED)		DIMENSION UNITS	SCALE								
						MM	INCH	MM	NTS								
▽ = 0		2016/08/03		2016/12/12	2017/01/04	4 PLACES	±	±	DRWN BY	DATE	<b>DDR4 DIMM, 0.85MM PITCH 288CKTS, VERTICAL TH</b>						
▽ = 0						3 PLACES	±	±	EKSOH	2012/03/08							
▽ = 0						2 PLACES	± 0.2	±	CHK'D BY	DATE	<b>PRODUCT CUSTOMER DRAWING</b>						
▼ = 0						1 PLACES	±	±	CGTAN	2012/05/08							
▽ = 0						0 PLACES	±	±	APPR BY	DATE	<table border="1"> <tr> <td>SERIES</td> <td>MATERIAL NUMBER</td> <td>CUSTOMER</td> </tr> <tr> <td>78726</td> <td>SEE TABLE</td> <td>GENERAL MARKET</td> </tr> </table>	SERIES	MATERIAL NUMBER	CUSTOMER	78726	SEE TABLE	GENERAL MARKET
SERIES	MATERIAL NUMBER	CUSTOMER															
78726	SEE TABLE	GENERAL MARKET															
⊠ = 0						ANGULAR TOL = 3.0		SHLENI	2012/07/13								
■ = 0						DRAFT WHERE APPLICABLE MUST REMAIN WITHIN DIMENSIONS		DRAWING SIZE	THIRD ANGLE PROJECTION								
▽ = 0								A3									
		A						DOCUMENT NUMBER		DOC TYPE	DOC PART	SHEET NUMBER					
								SD-78726-002		PSD	000	3 OF 6					



THIS DRAWING CONTAINS INFORMATION THAT IS PROPRIETARY TO MOLEX ELECTRONIC TECHNOLOGIES, LLC AND SHOULD NOT BE USED WITHOUT WRITTEN PERMISSION									
QUALITY SYMBOLS	EC NO: 111218 DRWN: VNANDAM CHK'D: EKSOH REV APPR: SHLENI	GENERAL TOLERANCES (UNLESS SPECIFIED)		DIMENSION UNITS	SCALE				
		MM	INCH	MM	NTS				
$\nabla = 0$	RE-MASTERED IN NX	4 PLACES ±		DRWN BY	DATE	DDR4 DIMM, 0.85MM PITCH 288CKTS, VERTICAL TH			
$\nabla = 0$		3 PLACES ±		EKSOH	2012/03/08				
$\nabla = 0$		2 PLACES ± 0.2		CHK'D BY	DATE				
$\blacktriangledown = 0$		1 PLACES ±		CGTAN	2012/05/08				
$\nabla = 0$		0 PLACES ±		APPR BY	DATE				
$\nabla = 0$		ANGULAR TOL = 3.0		SHLENI	2012/07/13				
$\boxtimes = 0$	A	DRAFT WHERE APPLICABLE MUST REMAIN WITHIN DIMENSIONS		DRAWING SIZE	THIRD ANGLE PROJECTION	SERIES	MATERIAL NUMBER	CUSTOMER	
$\blacksquare = 0$		A3		78726	SEE TABLE	GENERAL MARKET			
$\nabla = 0$	REV					DOCUMENT NUMBER	DOC TYPE	DOC PART	SHEET NUMBER
						SD-78726-002	PSD	000	4 OF 6

RELEASE STATUS	RELEASE DATE
----------------	--------------

CKT SIZE	ASSEMBLY PART NO.	HOUSING COLOR	LATCH COLOR	DIM "P"	RECOMMENDED PCB THICKNESS	PLATING OPTION		PRODUCT SPEC. NO.	PACKAGING SPEC. NO.
						TERMINAL	FORKLOCK		
288	78726-1051	BLACK	BLACK	2.10	1.57	0.76 MICROMETER (30 MICROINCH) MIN GOLD ON CONTACT	1 MICROMETER (40 MICROINCH) MIN TIN OVERALL (PRE-PLATED)	PS-78726-001	PK-78726-001
	78726-1039			2.40	1.57				
	78726-1002			2.67	1.57				
	78726-1003			3.18	2.36				
	78726-1026			3.50	3.00				
	78726-1052	BLACK	WHITE	2.10	1.57				
	78726-1040			2.40	1.57				
	78726-1004			2.67	1.57				
	78726-1005			3.18	2.36				
	78726-1027			3.50	3.00				
	78726-1053	WHITE	BLACK	2.10	1.57				
	78726-1041			2.40	1.57				
	78726-1006			2.67	1.57				
	78726-1007			3.18	2.36				
	78726-1028			3.50	3.00				
	78726-1054	WHITE	WHITE	2.10	1.57				
	78726-1042			2.40	1.57				
	78726-1008			2.67	1.57				
	78726-1009			3.18	2.36				
	78726-1029			3.50	3.00				
	78726-1055	BLUE	BLUE	2.10	1.57				
	78726-1043			2.40	1.57				
	78726-1010			2.67	1.57				
	78726-1011			3.18	2.36				
	78726-1030			3.50	3.00				
	78726-1056	BLUE	WHITE	2.10	1.57				
	78726-1044			2.40	1.57				
	78726-1022			2.67	1.57				
	78726-1023			3.18	2.36				
	78726-1031			3.50	3.00				
78726-1063	YELLOW	WHITE	2.10	1.57					
78726-1064			2.40	1.57					
78726-1065			2.67	1.57					
78726-1066			3.18	2.36					
78726-1067			3.50	3.00					

0.76 MICROMETER (30 MICROINCH) MIN GOLD ON CONTACT

2.54 MICROMETER (100 MICROINCH) MIN TIN ON SOLDER TAILS

1.27 MICROMETER (50 MICROINCH) MIN NICKEL UNDERPLATE

THIS DRAWING CONTAINS INFORMATION THAT IS PROPRIETARY TO MOLEX ELECTRONIC TECHNOLOGIES, LLC AND SHOULD NOT BE USED WITHOUT WRITTEN PERMISSION											
<b>QUALITY SYMBOLS</b> 	RE-MASTERED IN NX EC NO: 111218 DRWN: VNANDAM CHK'D: EKSOH REV APPR: SHLENI	GENERAL TOLERANCES (UNLESS SPECIFIED)		DIMENSION UNITS		SCALE					
				MM	INCH	MM	NTS			DDR4 DIMM, 0.85MM PITCH 288CKTS, VERTICAL TH	
				4 PLACES ±	±	DRWN BY	DATE				
				3 PLACES ±	±	EKSOH	2012/03/08	PRODUCT CUSTOMER DRAWING			
				2 PLACES ±	0.2 ±	CHK'D BY	DATE				
				1 PLACES ±	±	CGTAN	2012/05/08	SERIES: 78726 MATERIAL NUMBER: SEE TABLE CUSTOMER: GENERAL MARKET			
				0 PLACES ±	±	APPR BY	DATE				
				ANGULAR TOL = 3.0		SHLENI	2012/07/13	DOCUMENT NUMBER: SD-78726-002 DOC TYPE: PSD DOC PART: 000 SHEET NUMBER: 5 OF 6			
				DRAFT WHERE APPLICABLE MUST REMAIN WITHIN DIMENSIONS		DRAWING SIZE: A3	THIRD ANGLE PROJECTION				

CKT SIZE	ASSEMBLY PART NO.	HOUSING COLOR	LATCH COLOR	DIM "P"	RECOMMENDED PCB THICKNESS	PLATING OPTION		PRODUCT SPEC. NO.	PACKAGING SPEC. NO.
						TERMINAL	FORKLOCK		
288	78726-1057	BLACK	BLACK	2.10	1.57	0.38 MICROMETER (15 MICROINCH) MIN GOLD ON CONTACT	1 MICROMETER (40 MICROINCH) MIN TIN OVERALL (PRE-PLATED)	PS-78726-002	PK-78726-001
	78726-1045			2.40	1.57				
	78726-1012			2.67	1.57				
	78726-1013			3.18	2.36				
	78726-1032			3.50	3.00				
	78726-1058	BLACK	WHITE	2.10	1.57				
	78726-1046			2.40	1.57				
	78726-1014			2.67	1.57				
	78726-1015			3.18	2.36				
	78726-1033			3.50	3.00				
	78726-1059	WHITE	BLACK	2.10	1.57				
	78726-1047			2.40	1.57				
	78726-1016			2.67	1.57				
	78726-1017			3.18	2.36				
	78726-1034			3.50	3.00				
	78726-1060	WHITE	WHITE	2.10	1.57				
	78726-1048			2.40	1.57				
	78726-1018			2.67	1.57				
	78726-1019			3.18	2.36				
	78726-1035			3.50	3.00				
	78726-1061	BLUE	BLUE	2.10	1.57				
	78726-1049			2.40	1.57				
	78726-1020			2.67	1.57				
	78726-1021			3.18	2.36				
	78726-1036			3.50	3.00				
	78726-1062	BLUE	WHITE	2.10	1.57				
	78726-1050			2.40	1.57				
	78726-1024			2.67	1.57				
	78726-1025			3.18	2.36				
	78726-1037			3.50	3.00				
78726-1068	YELLOW	WHITE	2.10	1.57					
78726-1069			2.40	1.57					
78726-1070			2.67	1.57					
78726-1071			3.18	2.36					
78726-1072			3.50	3.00					
						1.27 MICROMETER (50 MICROINCH) MIN NICKEL UNDERPLATE			

THIS DRAWING CONTAINS INFORMATION THAT IS PROPRIETARY TO MOLEX ELECTRONIC TECHNOLOGIES, LLC AND SHOULD NOT BE USED WITHOUT WRITTEN PERMISSION										
<b>QUALITY SYMBOLS</b> 	RE-MASTERED IN NX		GENERAL TOLERANCES (UNLESS SPECIFIED)		DIMENSION UNITS		SCALE			
	EC NO: 111218		MM INCH		MM NTS		NTS			
	DRWN: VNANDAM		4 PLACES ± ±		DRWN BY		DATE		DDR4 DIMM, 0.85MM PITCH 288CKTS, VERTICAL TH	
	2016/08/03		3 PLACES ± ±		EKSOH		2012/03/08			
	2016/12/12		2 PLACES ± 0.2 ±		CHK'D BY		DATE		PRODUCT CUSTOMER DRAWING	
	2017/01/04		1 PLACES ± ±		CGTAN		2012/05/08			
	REV APPR: SHLENI		0 PLACES ± ±		APPR BY		DATE		SERIES MATERIAL NUMBER CUSTOMER 78726 SEE TABLE GENERAL MARKET	
	A		ANGULAR TOL = 3.0		SHLENI		2012/07/13			
			DRAFT WHERE APPLICABLE MUST REMAIN WITHIN DIMENSIONS		DRAWING SIZE		THIRD ANGLE PROJECTION		DOCUMENT NUMBER DOC TYPE DOC PART SHEET NUMBER SD-78726-002 PSD 000 6 OF 6	
					A3					