



Chipsmall Limited consists of a professional team with an average of over 10 year of expertise in the distribution of electronic components. Based in Hongkong, we have already established firm and mutual-benefit business relationships with customers from,Europe,America and south Asia,supplying obsolete and hard-to-find components to meet their specific needs.

With the principle of “Quality Parts,Customers Priority,Honest Operation,and Considerate Service”,our business mainly focus on the distribution of electronic components. Line cards we deal with include Microchip,ALPS,ROHM,Xilinx,Pulse,ON,Everlight and Freescale. Main products comprise IC,Modules,Potentiometer,IC Socket,Relay,Connector.Our parts cover such applications as commercial,industrial, and automotives areas.

We are looking forward to setting up business relationship with you and hope to provide you with the best service and solution. Let us make a better world for our industry!



Contact us

Tel: +86-755-8981 8866 Fax: +86-755-8427 6832

Email & Skype: info@chipsmall.com Web: www.chipsmall.com

Address: A1208, Overseas Decoration Building, #122 Zhenhua RD., Futian, Shenzhen, China



F

E

D

C

B

A

F

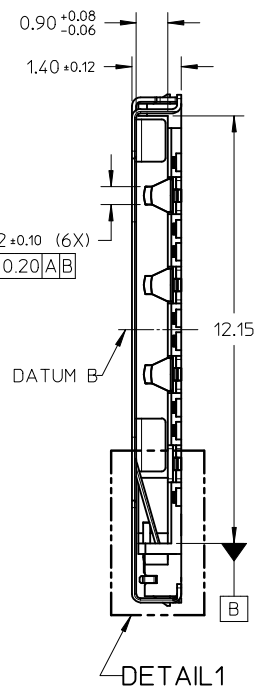
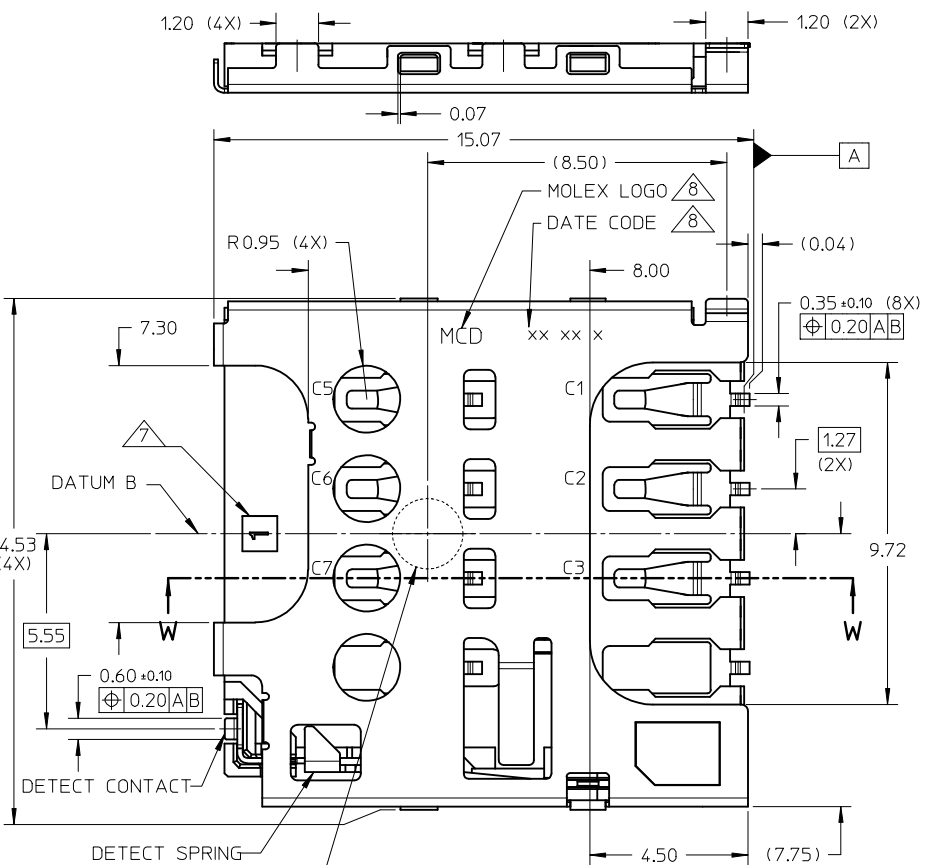
E

D

C

B

A



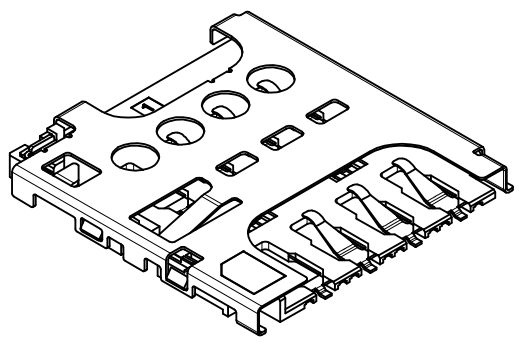
NOTES:

- MATERIALS:
 - HOUSING: LIQUID CRYSTAL POLYMER(LCP) 40% GLASS FILLED, UL94-V0
 - COLOUR: BLACK
 - TERMINAL: COPPER ALLOY
 - DETECT CONTACT: COPPER ALLOY
 - DETECT PIN: COPPER ALLOY
 - METAL SHELL: STAINLESS STEEL
 - PLATING FINISHES:
 - TERMINAL:-
 - CONTACT: 0.38µM MIN GOLD OVER 1.27µM MIN NICKEL UNDERPLATE
 - SOLDERTAIL: 1.27µM MIN MATTE TIN OVER 1.27µM MIN NICKEL UNDERPLATE
 - SHELL:-
 - SOLDERTAB: 1.27µM MIN MATTE TIN OVER 1.27µM MIN NICKEL UNDERPLATE
 - DETECT CONTACT:-
 - CONTACT: 0.127µM MIN GOLD OVER 1.27µM MIN NICKEL UNDERPLATE
 - SOLDERTAIL: 1.27µM MIN MATTE TIN OVER 1.27µM MIN NICKEL UNDERPLATE
 - DETECT SPRING:-
 - CONTACT: 0.127µM MIN GOLD OVER 1.27µM MIN NICKEL UNDERPLATE
 - SOLDERTAIL: 1.27µM MIN MATTE TIN OVER 1.27µM MIN NICKEL UNDERPLATE
3. OVERALL COPLANARITY(SOLDERTAIL AND SOLDERTAB): 0.08MM MAX
 4. PRODUCT SPECIFICATION: PS-78727-001
 5. PACKAGING SPECIFICATION: PK-78727-001
 6. COMPLIANT TO RoHS DIRECTIVE 2002/95/EC AND ELV DIRECTIVE 2000/53/EC.
7. CAVITY NUMBER LOCATION
 8. MANUFACTURER ID AND DATE CODE TO BE PRINTED
 DATE CODE ON SHELL: ** * * *



CARD INSERTION STATE	DETECT SWITCH CIRCUIT STATE	SCHEMATIC
CARD MATED	OPENED	(D.S.) ● ● (D.C)
CARD UNMATED	CLOSED	(D.S.) ● ● ● (D.C)

D.C. DETECT CONTACT
 D.S. DETECT SPRING



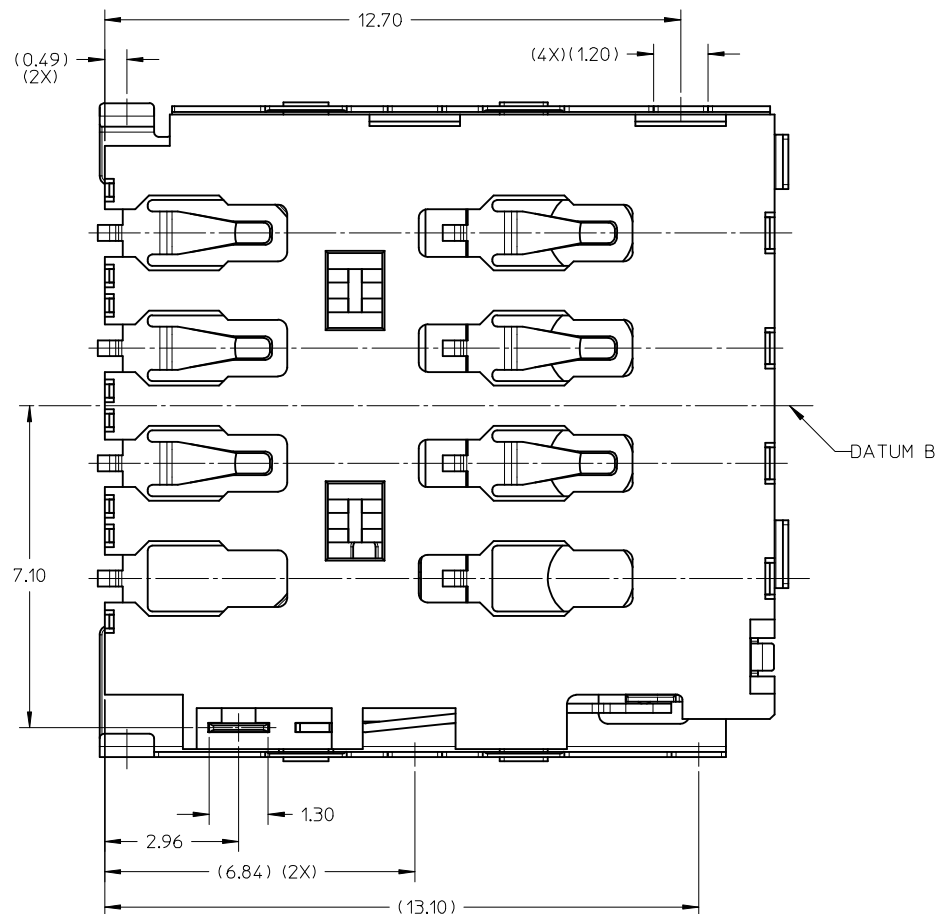
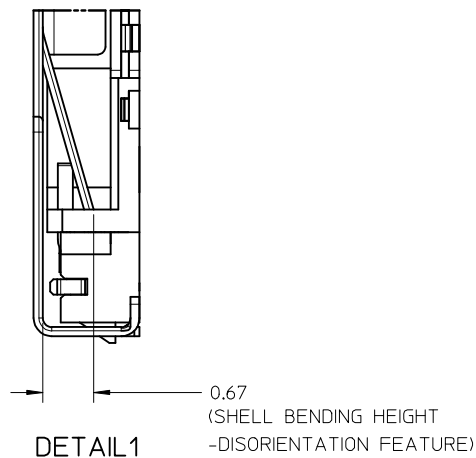
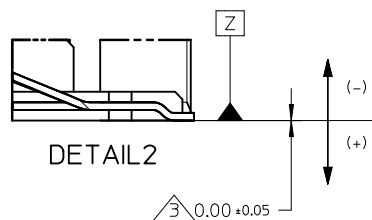
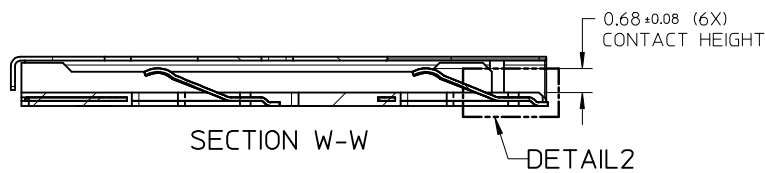
ADD D.S. TABLE	2012/10/09	2012/11/01	2012/11/01
EC NO: S2013-0205	DRW: EANG	CHKD: JTAN02	APPR: KHL IM
REV	DESCRIPTION		
A1			

QUALITY SYMBOLS	GENERAL TOLERANCES (UNLESS SPECIFIED)	
	mm	INCH
F _A = 0	4 PLACES ± ---	± ---
F _C = 0	3 PLACES ± ---	± ---
F _D = 0	2 PLACES ± 0.20	± ---
	1 PLACE ± ---	± ---
	ANGULAR ± 1 °	
	DRAFT WHERE APPLICABLE MUST REMAIN WITHIN DIMENSIONS	

DIMENSION STYLE		SCALE	DESIGN UNITS	THIRD ANGLE PROJECTION
MM ONLY		NTS	METRIC	
DRAWN BY	DATE	TITLE		
EANG	2012/01/04	MICRO SIM CONNECTOR		
CHECKED BY	DATE	1.40MM HEIGHT, PUSH PULL WITH DETECT PIN		
JTAN02	2012/01/06	MOLEX INCORPORATED		
APPROVED BY	DATE	MOLEX INCORPORATED		
KHL IM	2012/01/13	SD-78727-001		
MATERIAL NO.	78727-0001	DOCUMENT NO.	SHEET NO.	
			1 OF 4	

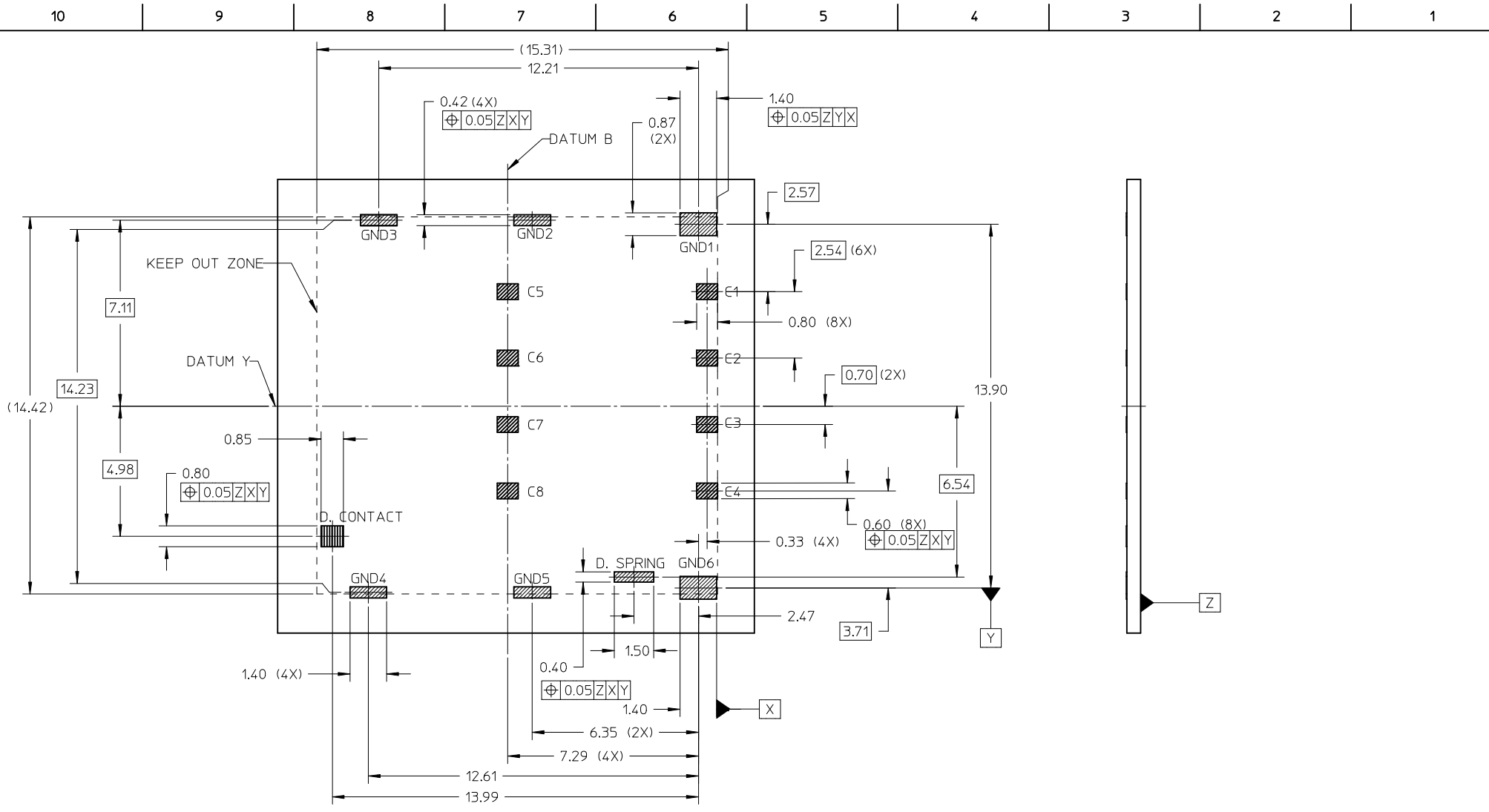
THIS DRAWING CONTAINS INFORMATION THAT IS PROPRIETARY TO MOLEX INCORPORATED AND SHOULD NOT BE USED WITHOUT WRITTEN PERMISSION	
---	--

10 9 8 7 6 5 4 3 2 1



ADD D.S. TABLE EC NO: S2013-0205 DRW: EANG 2012/10/09 CHKD: JIAN02 2012/11/01 APPR: KHL IM 2012/11/01	DESCRIPTION REV	QUALITY SYMBOLS	GENERAL TOLERANCES (UNLESS SPECIFIED)		DIMENSION STYLE	SCALE	DESIGN UNITS	THIRD ANGLE PROJECTION			
		$\nabla_A = 0$ $\nabla_C = 0$ $\nabla_P = 0$	mm	INCH	MM ONLY	NTS	METRIC				
		4 PLACES ± --- ± --- 3 PLACES ± --- ± --- 2 PLACES ± 0.20 ± --- 1 PLACE ± --- ± ---	ANGULAR ± 1 °		DRAWN BY EANG CHECKED BY EANG02 APPROVED BY KHL IM DATE 2012/01/04 DATE 2012/01/06 DATE 2012/01/13	TITLE			MICRO SIM CONNECTOR 1.40MM HEIGHT, PUSH PULL WITH DETECT PIN MOLEX INCORPORATED		
		DRAFT WHERE APPLICABLE MUST REMAIN WITHIN DIMENSIONS		MATERIAL NO. 78727-0001 SIZE A3	DOCUMENT NO. SD-78727-001 SHEET NO. 2 OF 4						

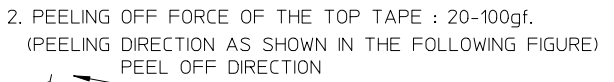
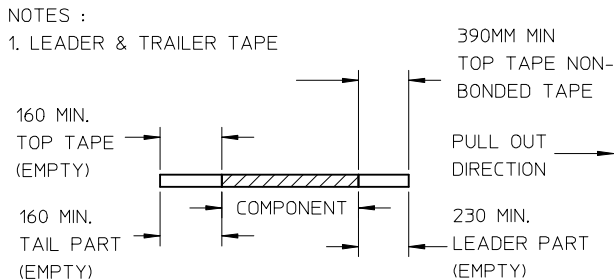
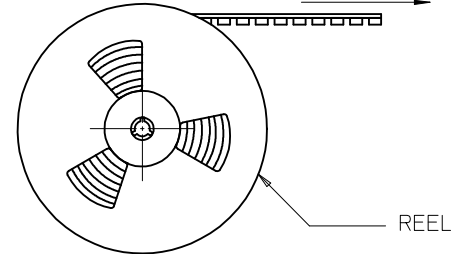
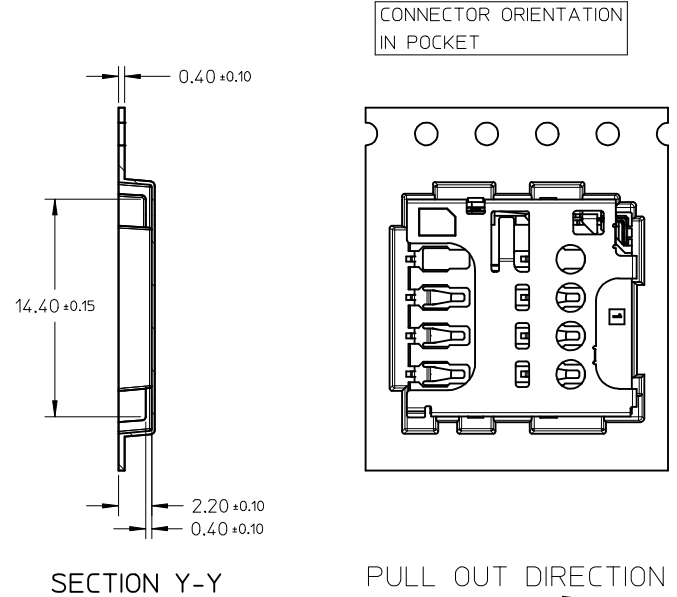
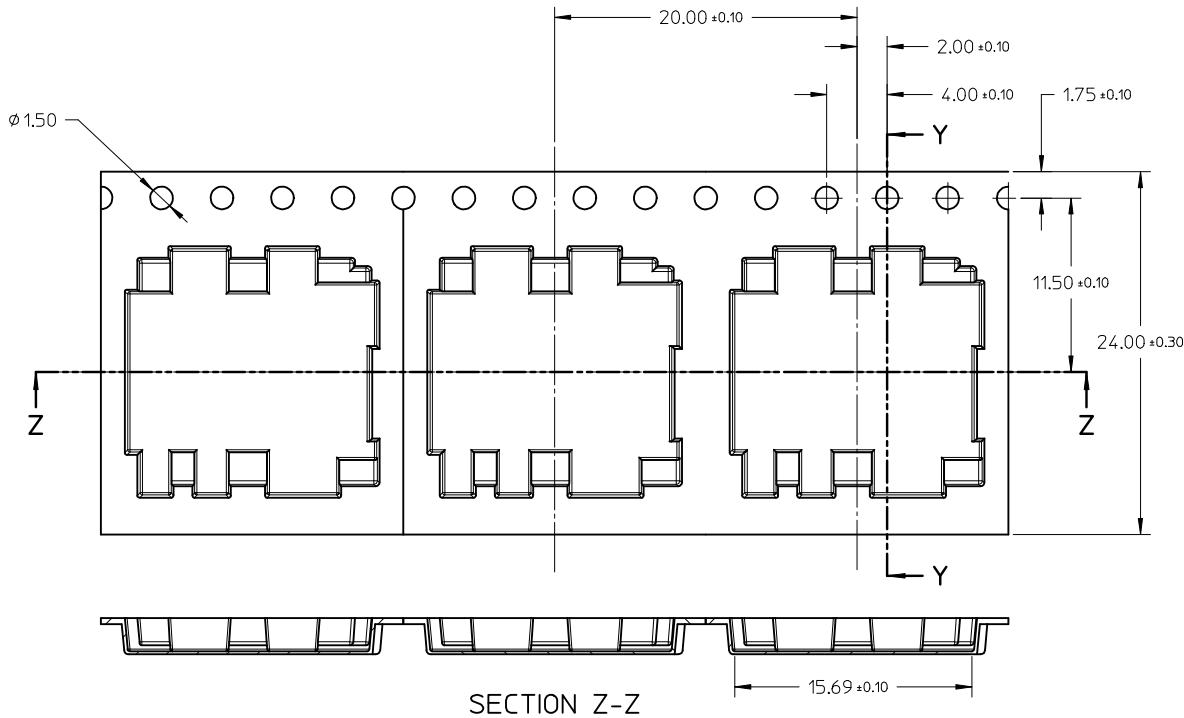
9 8 7 6 5 4 3 2 1



RECOMMENDED PCB LAYOUT
 (NON-SOLDER MASK DEFINE PWB)
 PWB TOLERANCE: ±0.05MM

ADD D.S. TABLE EC NO: S2013-0205 DRW: EANG CHKD: JTAN02 APPR: KHLIM 2012/10/09 2012/11/01 2012/11/01	QUALITY SYMBOLS $F_A=0$ $F_G=0$ $F_P=0$	GENERAL TOLERANCES (UNLESS SPECIFIED)		DIMENSION STYLE MM ONLY	SCALE NTS	DESIGN UNITS METRIC	THIRD ANGLE PROJECTION	
		4 PLACES ± --- ± ---	mm INCH	DRAWN BY EANG	DATE 2012/01/04	TITLE MICRO SIM CONNECTOR 1.40MM HEIGHT, PUSH PULL WITH DETECT PIN		
		3 PLACES ± --- ± ---	± 0.20 ± ---	CHECKED BY JTAN02	DATE 2012/01/06	molex MOLEX INCORPORATED		
		2 PLACES ± --- ± ---	± --- ± ---	APPROVED BY KHLIM	DATE 2012/01/13	MATERIAL NO. 78727-0001	DOCUMENT NO. SD-78727-001	SHEET NO. 3 OF 4
A1	REV	DESCRIPTION DRAFT WHERE APPLICABLE MUST REMAIN WITHIN DIMENSIONS	ANGULAR ± 1°	SIZE A3	THIS DRAWING CONTAINS INFORMATION THAT IS PROPRIETARY TO MOLEX INCORPORATED AND SHOULD NOT BE USED WITHOUT WRITTEN PERMISSION			

10 9 8 7 6 5 4 3 2 1



- TAPE & REEL SPECIFICATION IS AS PER EIA-481.
- TAPE & REEL QTY. : 1200PCS / REEL.
- DRAFT ANGLE 4° UNLESS OTHERWISE SPECIFIED.
- THE TAPE IS TREATED FOR ANTI-STATIC.

LEADER LENGTH	SEAL TYPE	REEL MATL	REEL COLOUR
390MM	COLD SEAL	PAPER	WHITE

ADD D.S. TABLE EC NO: S2013-0205 DRW: EANG CHKD: JTAN02 APPR: KHL IM	2012/10/09 2012/11/01 2012/11/01	DESCRIPTION QUALITY SYMBOLS $F_A=0$ $F_G=0$ $F_P=0$	GENERAL TOLERANCES (UNLESS SPECIFIED)		DIMENSION STYLE MM ONLY		SCALE NTS	DESIGN UNITS METRIC	THIRD ANGLE PROJECTION		
				mm	INCH	DRAWN BY EANG	DATE 2012/01/04	TITLE MICRO SIM CONNECTOR 1.40MM HEIGHT, PUSH PULL WITH DETECT PIN			
			4 PLACES	± ---	± ---	CHECKED BY JTAN02	DATE 2012/01/06	MOLEX INCORPORATED DOCUMENT NO. SD-78727-001			
			3 PLACES	± ---	± ---	APPROVED BY KHL IM	DATE 2012/01/13				
2 PLACES	± 0.20	± ---	ANGULAR ± 1°		MATERIAL NO. 78727-0001		SHEET NO. 4 OF 4				
1 PLACE	± ---	± ---	DRAFT WHERE APPLICABLE MUST REMAIN WITHIN DIMENSIONS		THIS DRAWING CONTAINS INFORMATION THAT IS PROPRIETARY TO MOLEX INCORPORATED AND SHOULD NOT BE USED WITHOUT WRITTEN PERMISSION						

9 8 7 6 5 4 3 2 1