



Chipsmall Limited consists of a professional team with an average of over 10 year of expertise in the distribution of electronic components. Based in Hongkong, we have already established firm and mutual-benefit business relationships with customers from,Europe,America and south Asia,supplying obsolete and hard-to-find components to meet their specific needs.

With the principle of "Quality Parts,Customers Priority,Honest Operation,and Considerate Service",our business mainly focus on the distribution of electronic components. Line cards we deal with include Microchip,ALPS,ROHM,Xilinx,Pulse,ON,Everlight and Freescale. Main products comprise IC,Modules,Potentiometer,IC Socket,Relay,Connector.Our parts cover such applications as commercial,industrial, and automotives areas.

We are looking forward to setting up business relationship with you and hope to provide you with the best service and solution. Let us make a better world for our industry!



Contact us

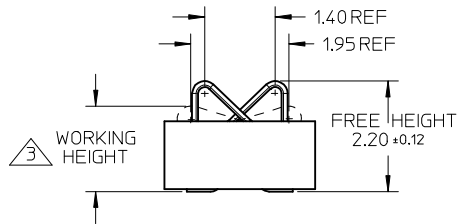
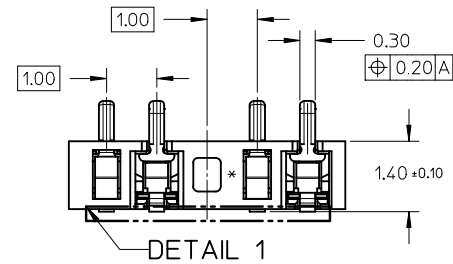
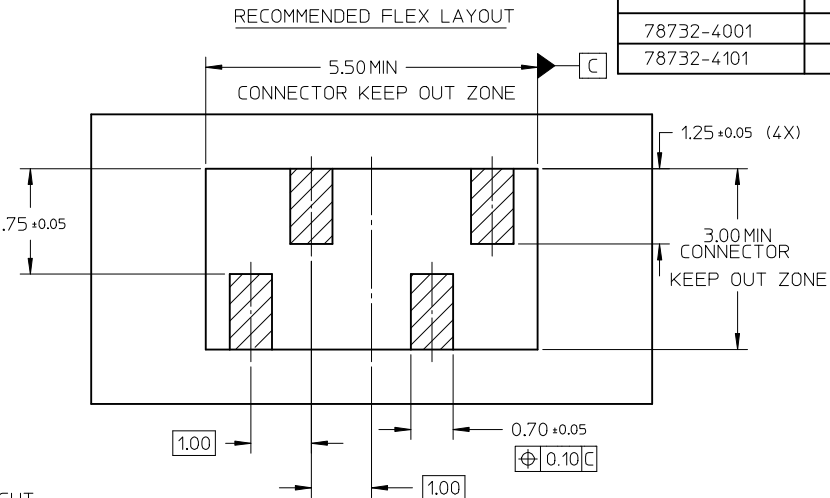
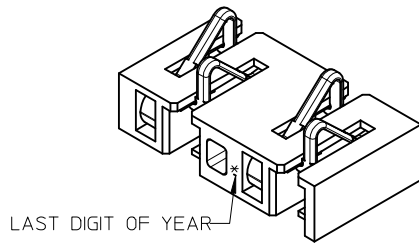
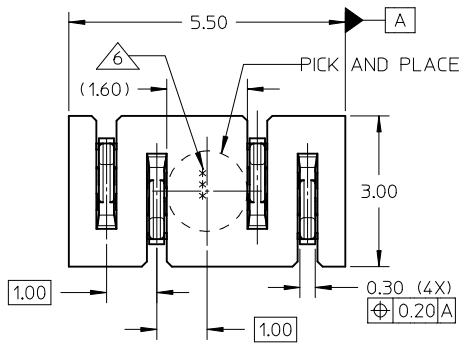
Tel: +86-755-8981 8866 Fax: +86-755-8427 6832

Email & Skype: info@chipsmall.com Web: www.chipsmall.com

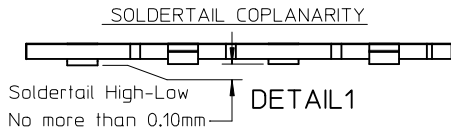
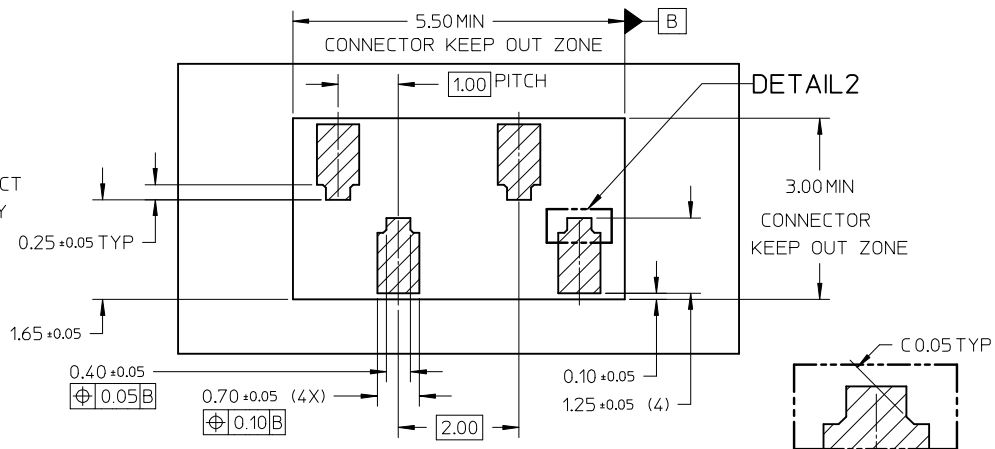
Address: A1208, Overseas Decoration Building, #122 Zhenhua RD., Futian, Shenzhen, China



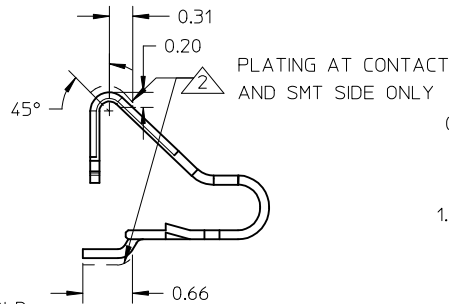
PRODUCT NAME	PACKAGING DRAWING
78732-4001	RPK-78732-401
78732-4101	PK-78732-4101



RECOMMENDED PCB LAYOUT



TERMINAL PLATING SPECIFICATION



NOTES:

- MATERIALS:
HOUSING: LCP,30% GLASS FILLED,COLOUR: BLACK
CONTACT: TITANIUM COPPER TICu
- FINISH:
CONTACT AREA: 0.38 MICRO-METER(15 MICRO-INCH) MIN. GOLD OVER 1.27 MICRO-METER (50 MICRO-INCH) MIN NICKEL UNDERPLATE.
SMT TAIL AREA: 1.27 MICRO-METER (50 MICRO-INCH MIN.) PURE TIN (MATTE) OVER 1.27 MICRO-METER (50 MICRO-INCH) MIN. NICKEL UNDERPLATE.
OTHER AREA PLATING: 1.27 MICRO-METER (50 MICRO-INCH) MIN NICKEL OVERALL

- AT 1.63mm WORKING HEIGHT, FORCE IS 50g +25g/-10g AT LOADING CURVE
- PRODUCT SPECIFICATION SEE PS-78732-1001&RPS-78732-001.
- LAST DIGIT OF THE YEAR TO BE LOCATED.
- DATE CODE TO BE LOCATED.

ENTER DESCRIPTION EC NO: S2015-1521 DRW:ALIN06 CHKD:JZENG APPR:KHLIM	DESCRIPTION REV	QUALITY SYMBOLS	GENERAL TOLERANCES (UNLESS SPECIFIED)		DIMENSION STYLE MM ONLY		SCALE NTS	DESIGN UNITS METRIC	THIRD ANGLE PROJECTION			
		$F_A=0$	mm	INCH	DRAWN BY	DATE	TITLE					
		$F_E=0$	4 PLACES ± --- ± ---	KJKOH	2013/05/22	BOARD TO BOARD 4 CIRCUITS COMPRESSION CONNECTOR						
		$F_P=0$	3 PLACES ± --- ± ---	CHECKED BY	DATE	molex						
		2 PLACES ± 0.15 ± ---	JESSIECHUA	2013/07/25	DOCUMENT NO. SD-78732-401							
		1 PLACE ± 0.2 ± ---	APPROVED BY	DATE	SHEET NO. 1 OF 1							
		0 PLACE ± --- ± ---	SHONG	2013/08/07	THIS DRAWING CONTAINS INFORMATION THAT IS PROPRIETARY TO MOLEX INCORPORATED AND SHOULD NOT BE USED WITHOUT WRITTEN PERMISSION							
		ANGULAR ± 3 °	MATERIAL NO.		SEE TABLE							
		DRAFT WHERE APPLICABLE MUST REMAIN WITHIN DIMENSIONS			SIZE A3							