



Chipsmall Limited consists of a professional team with an average of over 10 year of expertise in the distribution of electronic components. Based in Hongkong, we have already established firm and mutual-benefit business relationships with customers from,Europe,America and south Asia,supplying obsolete and hard-to-find components to meet their specific needs.

With the principle of “Quality Parts,Customers Priority,Honest Operation,and Considerate Service”,our business mainly focus on the distribution of electronic components. Line cards we deal with include Microchip,ALPS,ROHM,Xilinx,Pulse,ON,Everlight and Freescale. Main products comprise IC,Modules,Potentiometer,IC Socket,Relay,Connector.Our parts cover such applications as commercial,industrial, and automotives areas.

We are looking forward to setting up business relationship with you and hope to provide you with the best service and solution. Let us make a better world for our industry!



## Contact us

Tel: +86-755-8981 8866 Fax: +86-755-8427 6832

Email & Skype: info@chipsmall.com Web: www.chipsmall.com

Address: A1208, Overseas Decoration Building, #122 Zhenhua RD., Futian, Shenzhen, China



TABLE 1: FINISHES

ORDERING PART NUMBER	PORT 1 & 2 TERMINAL	FITTING NAIL
78758-0001	CONTACT: 0.76µM MIN. GOLD OVER 1.27µM MIN. NICKEL UNDERPLATE SOLDERTAIL: 2.54µM MIN. TIN OVER 1.27µM MIN. NICKEL UNDERPLATE OTHER AREA: 1.27µM MIN. NICKEL UNDERPLATE	2.54µM MIN. TIN OVER 1.27µM MIN. NICKEL
78758-0002	CONTACT: 0.38µM MIN. GOLD OVER 1.27µM MIN. NICKEL UNDERPLATE SOLDERTAIL: 2.54µM MIN. TIN OVER 1.27µM MIN. NICKEL UNDERPLATE OTHER AREA: 1.27µM MIN. NICKEL UNDERPLATE	2.54µM MIN. TIN OVER 1.27µM MIN. NICKEL

NOTES :

1. MATERIAL: SEE TABLE 2
2. FINISHES: SEE TABLE 1
3. PRODUCT SPECIFICATION: PS-78758-001
4. PACKAGING SPECIFICATION: PK-78758-001
5. MATES WITH: MOLEX SAS OR SAS/PCIE RECEPTACLES
6. PRODUCT IS COMPLIANT TO ROHS DIRECTIVE WITH THE FOLLOWING BANNED SUBSTANCES - LEAD, MERCURY, CADMIUM, HEXAVALENT CHROMIUM, POLYBROMINATED DYPHENILS & POLYBROMINATED DIPHENYLS ETHERS.
7. NON-FUNCTIONAL CORING MAY VARY
8. MOLEX LOGO, CAVITY ID AND DATE CODE TO BE LOCATED APPROXIMATELY AS SHOWN.
9. PRODUCT IS COMPLIANT TO SFF-8639 SPECIFICATIONS.

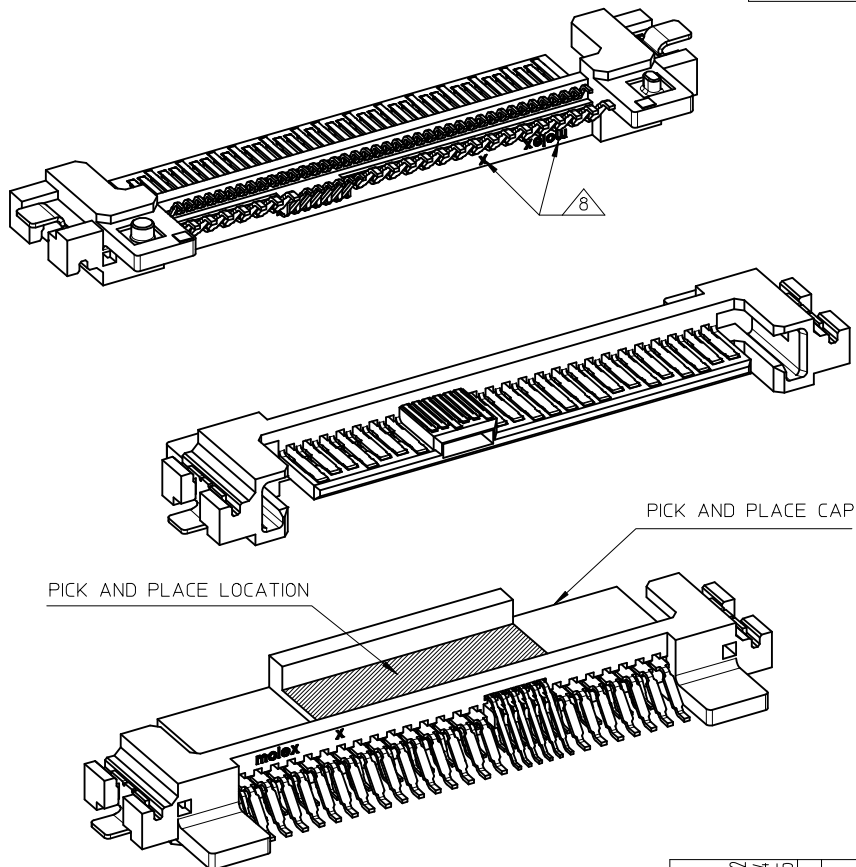
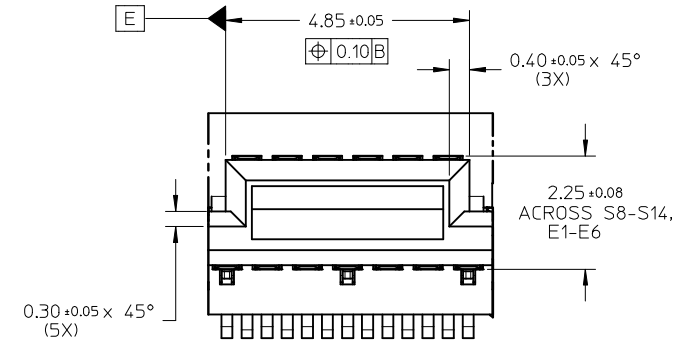
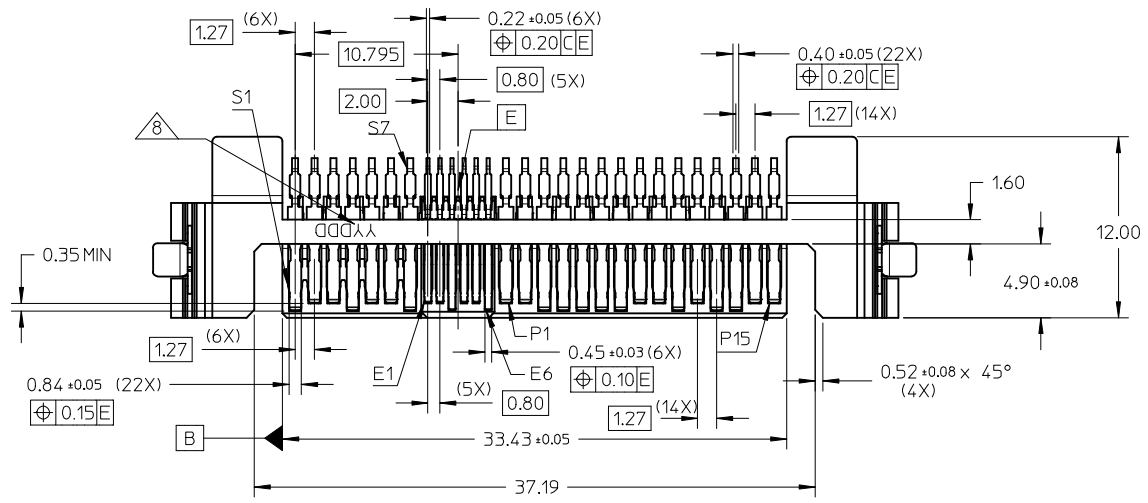


TABLE 2 : PARTS MATERIAL

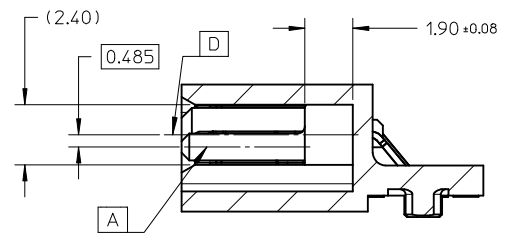
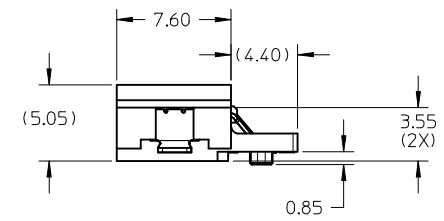
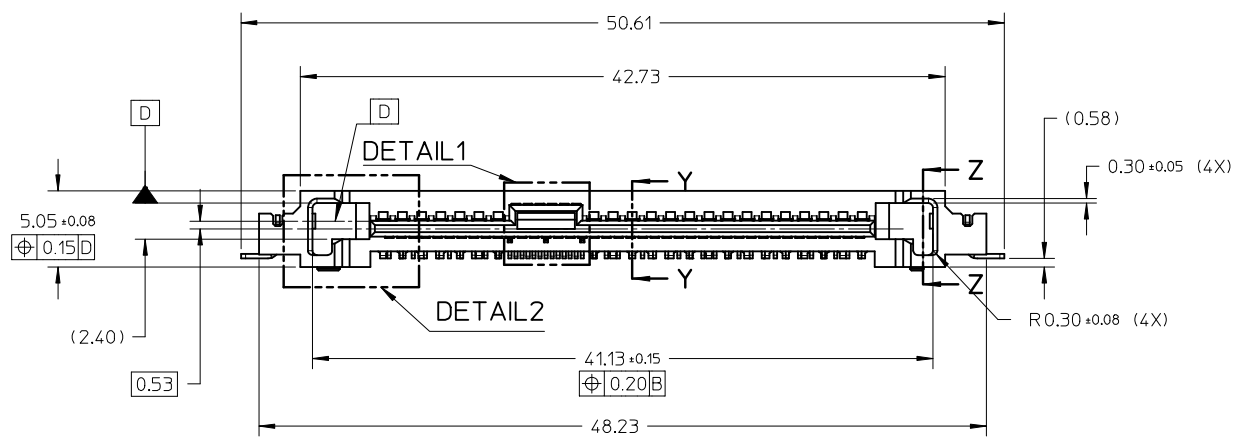
NO	PART NAME	QTY	MATERIAL
1	HOUSING	1	LCP, GLASS FILLED, UL94-V, COLOR: BLACK
2	1.27MM PITCH TERMINAL	22	COPPER ALLOY
3	0.8MM PITCH TERMINAL	46	COPPER ALLOY
4	FITTING NAIL	2	COPPER ALLOY
5	GROUND BLADE	1	COPPER ALLOY
6	PICK AND PLACE CAP	1	LCP, GLASS FILLED, UL94-V, COLOR: BLACK

THIS DESIGN IS BASED ON DESIGN OBJECTIVES AND IS STRICTLY TENTATIVE. IT MAY CHANGE BASED ON RESULTS OF ADDITIONAL DESIGN REVIEWS & VERIFICATIONS.

REMOVE NOTE 10. EC NO: S2015-0034 DRW:SKANG 2014/08/12 CHKD:CWANG25 2014/08/14 APPR:SHONG 2014/08/15	QUALITY SYMBOLS	GENERAL TOLERANCES (UNLESS SPECIFIED)	DIMENSION STYLE	SCALE	DESIGN UNITS	THIRD ANGLE PROJECTION	
	$F_A=0$ $F_C=0$ $F_P=0$	mm INCH 4 PLACES ± --- ± --- 3 PLACES ± --- ± --- 2 PLACES ± 0.20 ± --- 1 PLACE ± --- ± --- 0 PLACE ± ± ---	MM ONLY	NTS	METRIC		
		ANGULAR ± 3 °	DRAWN BY CGOH	DATE 2012/09/07	TITLE		
		DRAFT WHERE APPLICABLE MUST REMAIN WITHIN DIMENSIONS	CHECKED BY GMENARLY	DATE 2012/10/17	SAS/PCIE RIGHT ANGLE PLUG SMT FOR SSD		
4	REV		APPROVED BY BOKOK	DATE 2012/10/17	molex		
			MATERIAL NO.	DOCUMENT NO.	SD-78758-001		
			SIZE A3	THIS DRAWING CONTAINS INFORMATION THAT IS PROPRIETARY TO MOLEX INCORPORATED AND SHOULD NOT BE USED WITHOUT WRITTEN PERMISSION			
					SHEET NO. 1 OF 4		

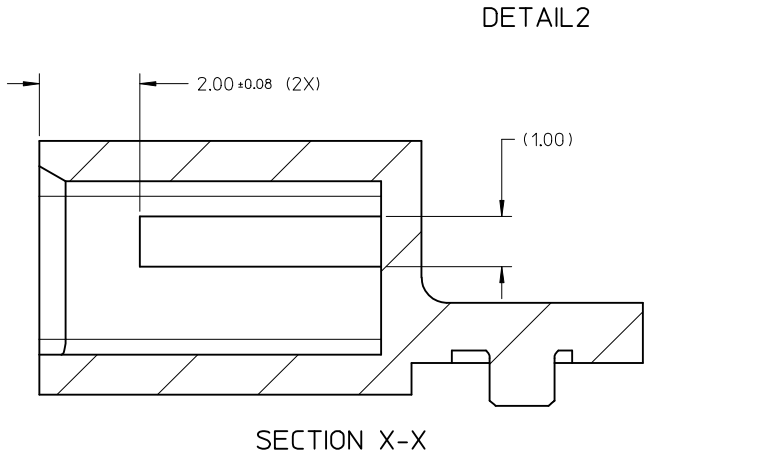
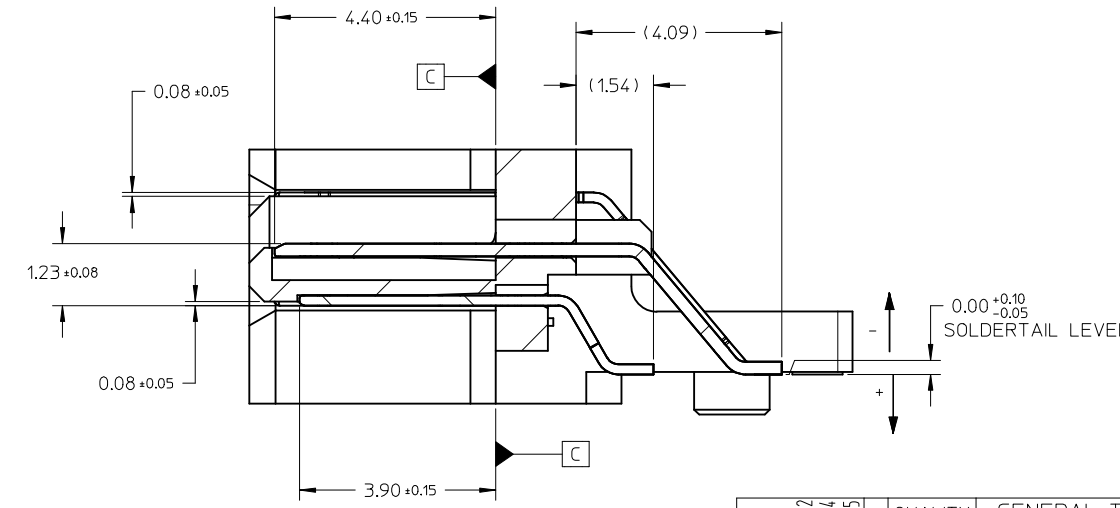
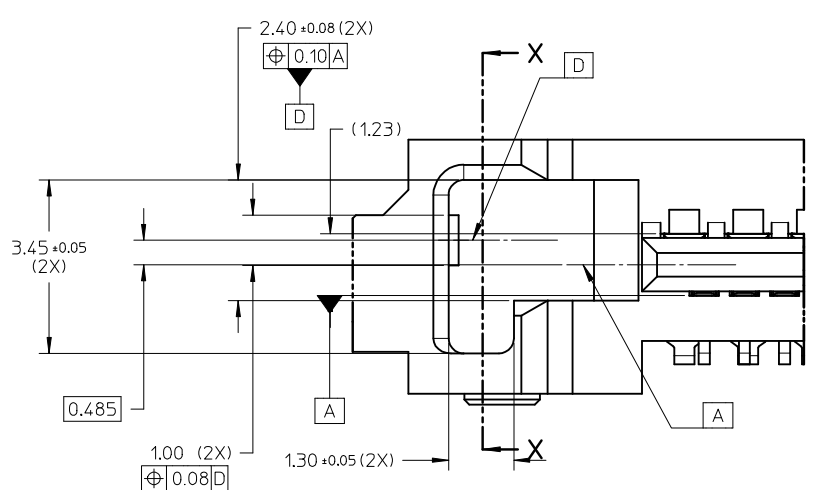
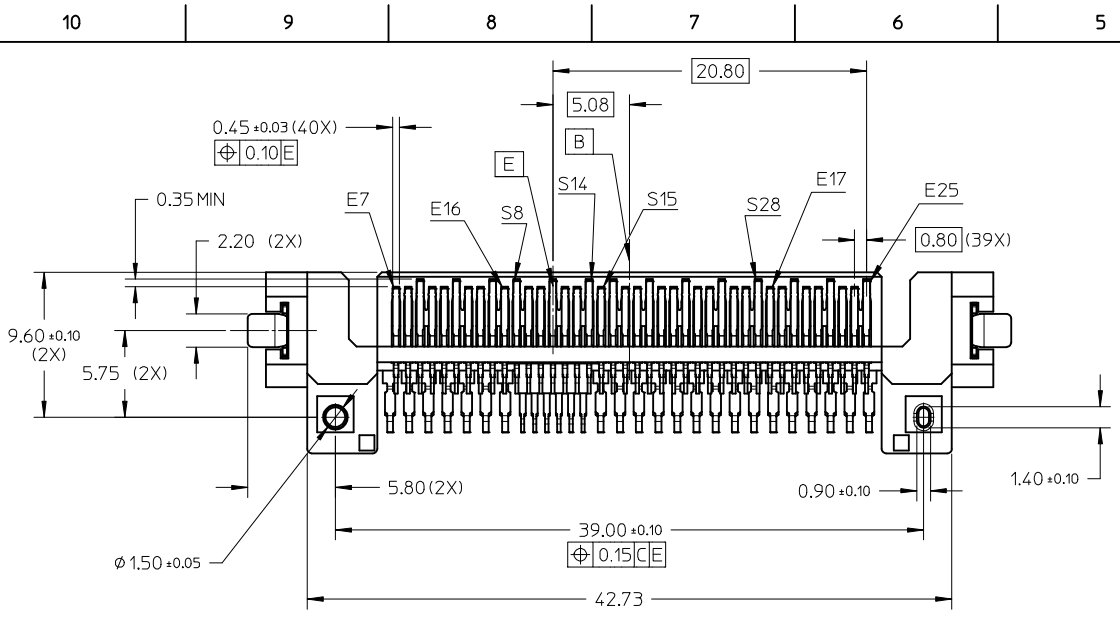


DETAIL1



SECTION Z-Z

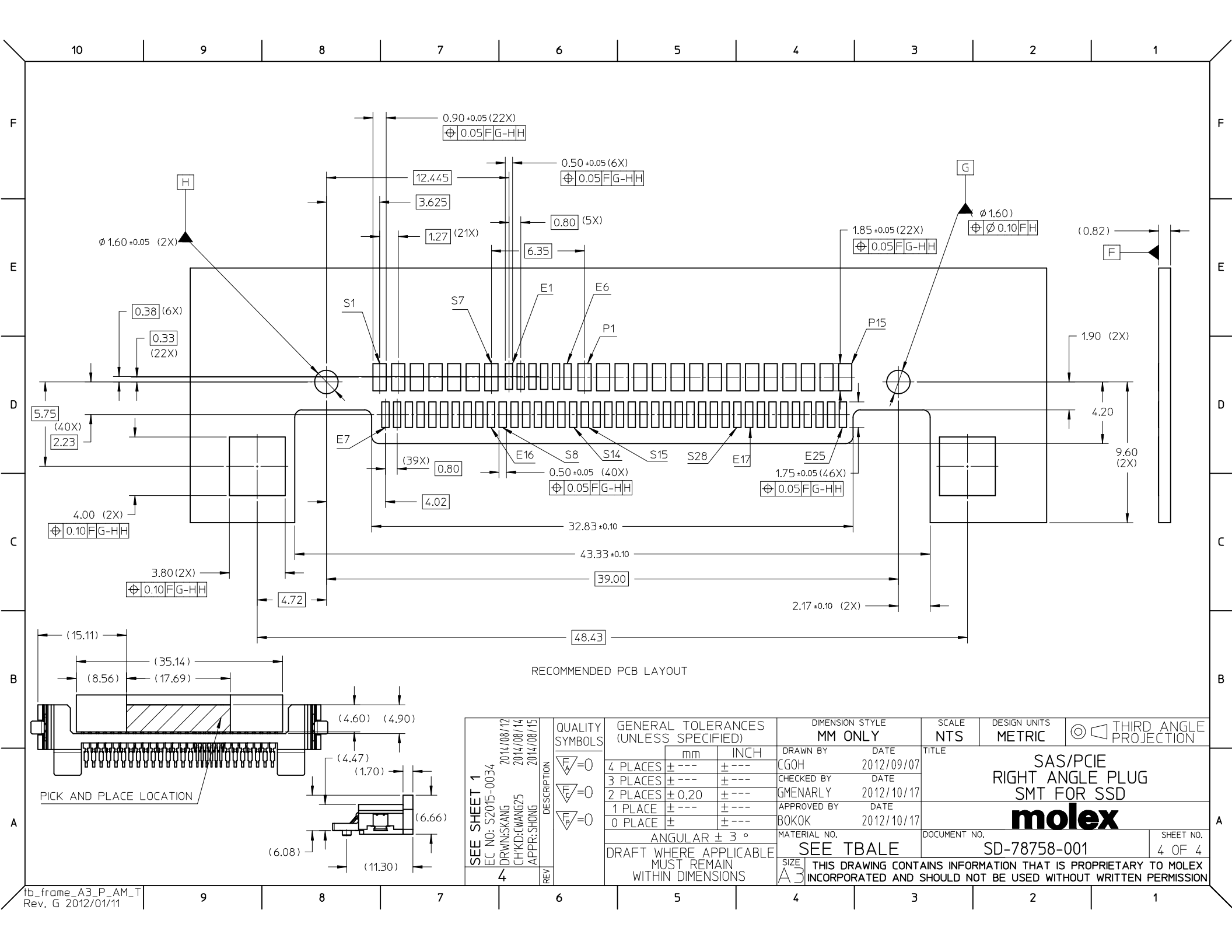
SEE SHEET 1 EC NO: S2015-0034 DRWN:SKANG 2014/08/12 CHKD:WANGZS 2014/08/14 APPR:SHONG 2014/08/15	QUALITY SYMBOLS ▽ <sub>A</sub> =0 ▽ <sub>B</sub> =0 ▽ <sub>C</sub> =0	GENERAL TOLERANCES (UNLESS SPECIFIED)		DIMENSION STYLE	SCALE	DESIGN UNITS	THIRD ANGLE PROJECTION	
				MM ONLY	NTS	METRIC		
			mm	INCH	DRAWN BY	DATE		TITLE
		4 PLACES	± ---	± ---	CGOH	2012/09/07		SAS/PCIE RIGHT ANGLE PLUG SMT FOR SSD
			3 PLACES	± ---	± ---	CHECKED BY	DATE	
			2 PLACES	± 0.20	± ---	GMENARLY	2012/10/17	
			1 PLACE	± ---	± ---	APPROVED BY	DATE	
			0 PLACE	± ---	± ---	BOKOK	2012/10/17	
			ANGULAR ± 3 °		MATERIAL NO.	DOCUMENT NO.		
			DRAFT WHERE APPLICABLE MUST REMAIN WITHIN DIMENSIONS		SEE TBALE	SD-78758-001		
4	REV	SIZE	THIS DRAWING CONTAINS INFORMATION THAT IS PROPRIETARY TO MOLEX INCORPORATED AND SHOULD NOT BE USED WITHOUT WRITTEN PERMISSION					SHEET NO.
		A3						2 OF 4



SECTION Y-Y

SECTION X-X

SEE SHEET 1 EC NO: S2015-0034 DRWN:SKANG 2014/08/12 CH'KD:GWANG25 2014/08/14 APPR:SHONG 2014/08/15	REV DESCRIPTION 4	QUALITY SYMBOLS	GENERAL TOLERANCES (UNLESS SPECIFIED)		DIMENSION STYLE	SCALE	DESIGN UNITS	THIRD ANGLE PROJECTION																				
		$\nabla = 0$ $\nabla = 0$ $\nabla = 0$	<table border="1"> <tr> <th></th> <th>mm</th> <th>INCH</th> </tr> <tr> <td>4 PLACES</td> <td>± ---</td> <td>± ---</td> </tr> <tr> <td>3 PLACES</td> <td>± ---</td> <td>± ---</td> </tr> <tr> <td>2 PLACES</td> <td>± 0.20</td> <td>± ---</td> </tr> <tr> <td>1 PLACE</td> <td>± ---</td> <td>± ---</td> </tr> <tr> <td>0 PLACE</td> <td>± ---</td> <td>± ---</td> </tr> </table>		mm	INCH	4 PLACES	± ---	± ---	3 PLACES	± ---	± ---	2 PLACES	± 0.20	± ---	1 PLACE	± ---	± ---	0 PLACE	± ---	± ---	MM ONLY	NTS	METRIC	SAS/PCIE RIGHT ANGLE PLUG SMT FOR SSD <b>molex</b>			
			mm	INCH																								
		4 PLACES	± ---	± ---																								
3 PLACES	± ---	± ---																										
2 PLACES	± 0.20	± ---																										
1 PLACE	± ---	± ---																										
0 PLACE	± ---	± ---																										
ANGULAR ± 3° DRAFT WHERE APPLICABLE MUST REMAIN WITHIN DIMENSIONS	DRAWN BY: CGOH CHECKED BY: GMENARLY APPROVED BY: BOKOK MATERIAL NO. SEE TBALE	DATE: 2012/09/07 DATE: 2012/10/17 DATE: 2012/10/17	TITLE	DOCUMENT NO. SD-78758-001 SHEET NO. 3 OF 4																								
THIS DRAWING CONTAINS INFORMATION THAT IS PROPRIETARY TO MOLEX INCORPORATED AND SHOULD NOT BE USED WITHOUT WRITTEN PERMISSION					SIZE: A3																							



RECOMMENDED PCB LAYOUT

PICK AND PLACE LOCATION

SEE SHEET 1  
 EC NO: S2015-0034  
 DRWNSKANG 2014/08/12  
 CH'KD:GWANG25 2014/08/14  
 APPR:SHONG 2014/08/15

REV	DESCRIPTION
4	

QUALITY SYMBOLS	
$\nabla = 0$	
$\nabla = 0$	
$\nabla = 0$	

GENERAL TOLERANCES (UNLESS SPECIFIED)		
	mm	INCH
4 PLACES	± ---	± ---
3 PLACES	± ---	± ---
2 PLACES	± 0.20	± ---
1 PLACE	± ---	± ---
0 PLACE	± ---	± ---

DIMENSION STYLE	
MM ONLY	
DRAWN BY	DATE
CQOH	2012/09/07
CHECKED BY	DATE
GMENARLY	2012/10/17
APPROVED BY	DATE
BOKOK	2012/10/17

SCALE	DESIGN UNITS	THIRD ANGLE PROJECTION
NTS	METRIC	
<b>SAS/PCIE            RIGHT ANGLE PLUG            SMT FOR SSD</b>		
MATERIAL NO.	DOCUMENT NO.	SHEET NO.
SEE TBAL	SD-78758-001	4 OF 4

ANGULAR ± 3 °  
 DRAFT WHERE APPLICABLE  
 MUST REMAIN  
 WITHIN DIMENSIONS

THIS DRAWING CONTAINS INFORMATION THAT IS PROPRIETARY TO MOLEX  
 INCORPORATED AND SHOULD NOT BE USED WITHOUT WRITTEN PERMISSION