



Chipsmall Limited consists of a professional team with an average of over 10 year of expertise in the distribution of electronic components. Based in Hongkong, we have already established firm and mutual-benefit business relationships with customers from,Europe,America and south Asia,supplying obsolete and hard-to-find components to meet their specific needs.

With the principle of “Quality Parts,Customers Priority,Honest Operation,and Considerate Service”,our business mainly focus on the distribution of electronic components. Line cards we deal with include Microchip,ALPS,ROHM,Xilinx,Pulse,ON,Everlight and Freescale. Main products comprise IC,Modules,Potentiometer,IC Socket,Relay,Connector.Our parts cover such applications as commercial,industrial, and automotives areas.

We are looking forward to setting up business relationship with you and hope to provide you with the best service and solution. Let us make a better world for our industry!



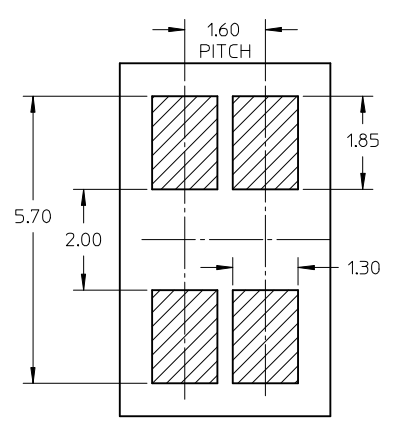
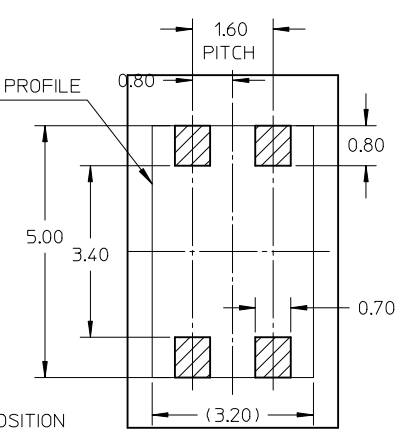
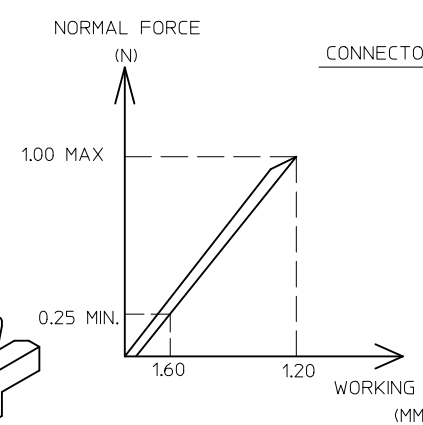
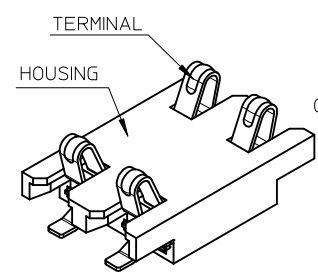
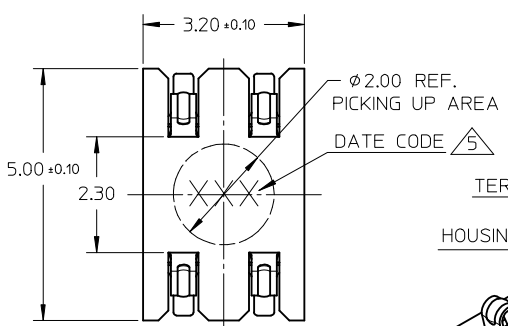
## Contact us

Tel: +86-755-8981 8866 Fax: +86-755-8427 6832

Email & Skype: info@chipsmall.com Web: www.chipsmall.com

Address: A1208, Overseas Decoration Building, #122 Zhenhua RD., Futian, Shenzhen, China

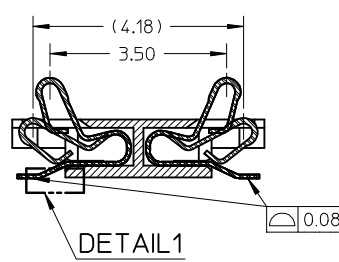
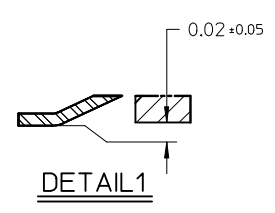
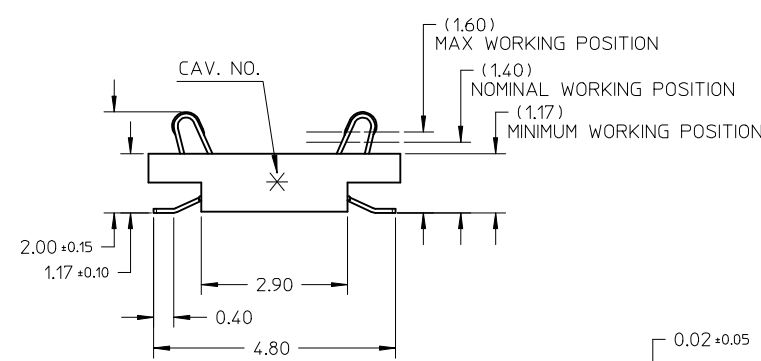
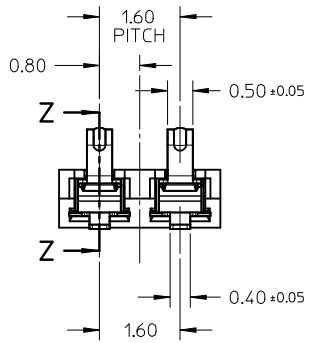




RECOMMENDED PCB LAYOUT  
RECOMMENDED TOLERANCE: ±0.02MM

RECOMMENDED MATING PAD LAYOUT  
RECOMMENDED TOLERANCE: ±0.02MM

- NOTES:
- MATERIALS:  
HOUSING: LIQUID CRYSTAL POLYMER, GLASS FILLED, COLOUR: BLACK;  
TERMINAL: COPPER ALLOY;
  - FINISH:  
1.27 MICROMETER MIN. NICKEL UNDERPLATING OVERALL,  
0.10 MICROMETER MIN. GOLD PLATING ON CONTACT AREA,  
1.27 MICROMETER MIN. MATTE TIN PLATING ON SOLDERING AREA;
  - RECOMMENDED MATING PAD FINISH:  
1.27 MICROMETER MIN. NICKEL UNDERPLATING AND 0.38 MICROMETER MIN. GOLD PLATING OVERALL;
  - PRODUCT SPECIFICATION: PLEASE REFER TO PS-78864-001;
  - DATE CODE PRINTED: XXX .  
DAY OF THE YEAR

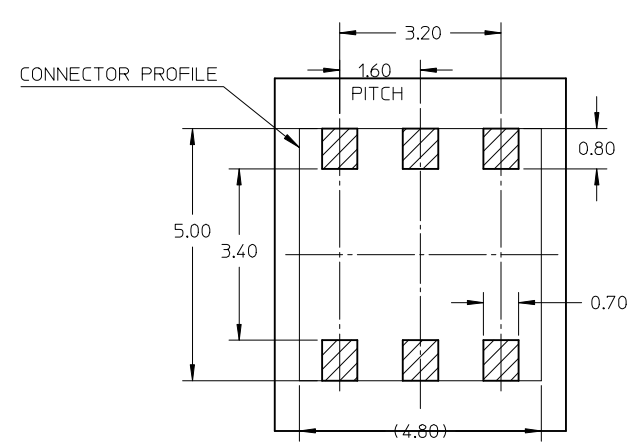
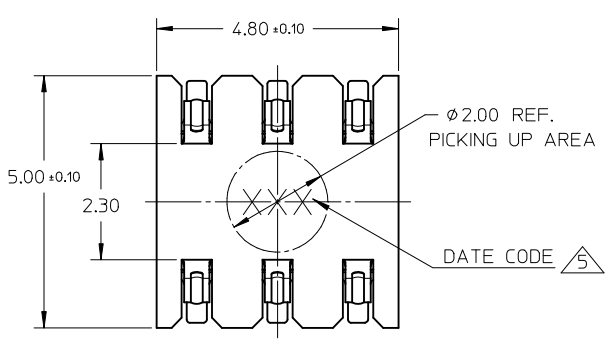


THIS DESIGN IS BASED ON DESIGN OBJECTIVES AND IS STRICTLY TENTATIVE. IT MAY CHANGE BASED ON RESULTS OF ADDITIONAL DESIGN REVIEWS & VERIFICATIONS.

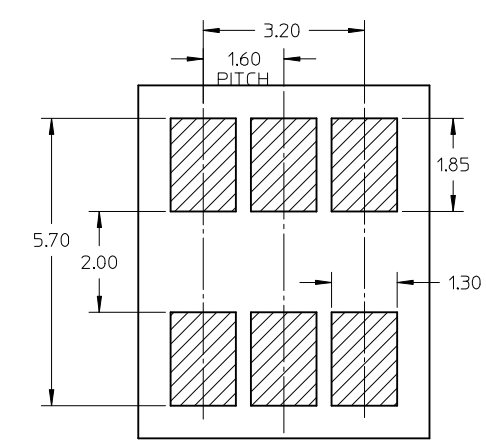
SECTION Z-Z

PART NUMBER	POS. NO.
788640001	4

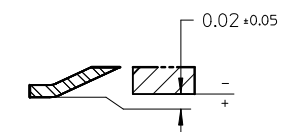
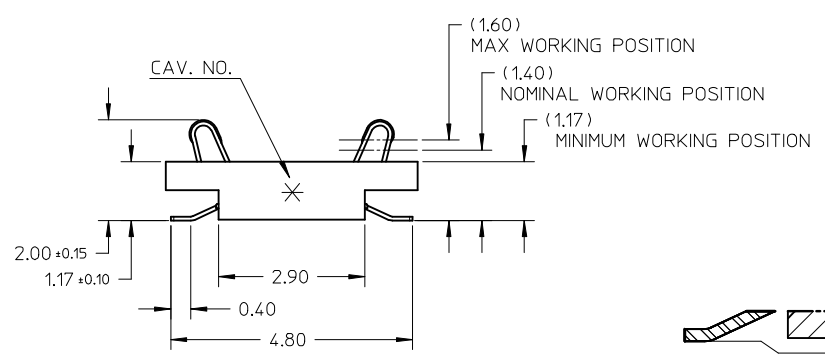
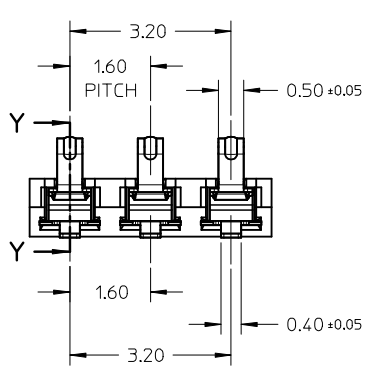
DRAWING RELEASE EC NO: S2015-1399 DRW:HTGU002 CHKD:JZENG APPR:KHLIM	QUALITY SYMBOLS FA=0 FC=0 FP=0	GENERAL TOLERANCES (UNLESS SPECIFIED)		DIMENSION STYLE MM ONLY		SCALE NTS	DESIGN UNITS METRIC	THIRD ANGLE PROJECTION			
		mm	INCH	DRAWN BY HLWANG06	DATE 2013/07/13	TITLE SALES DRAWING FOR BATTERY 1.2H 1.6MM PITCH DOUBLE ROW CONNECTOR					
		4 PLACES	± ---	± ---	CHECKED BY JTAN02	DATE 2013/08/26					
		3 PLACES	± ---	± ---	APPROVED BY KHLIM	DATE 2013/08/28					
ANGULAR ± 3 °		DRAFT WHERE APPLICABLE MUST REMAIN WITHIN DIMENSIONS		MATERIAL NO. SEE TABLE		DOCUMENT NO. SD-78864-001		SHEET NO. 1 OF 2			
THIS DRAWING CONTAINS INFORMATION THAT IS PROPRIETARY TO MOLEX INCORPORATED AND SHOULD NOT BE USED WITHOUT WRITTEN PERMISSION											



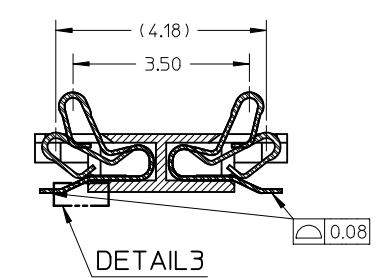
RECOMMENDED PCB LAYOUT  
RECOMMENDED TOLERANCE: ±0.02MM



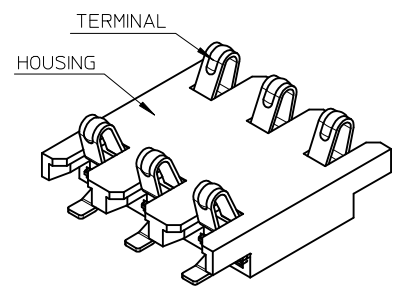
RECOMMENDED MATING PAD LAYOUT  
RECOMMENDED TOLERANCE: ±0.02MM



DETAIL3



SECTION Y-Y



DRAWING RELEASE  
EC NO: S2015-1399  
DRW:HTGU002  
CHKD:JZENG  
APPR:KHLIM

REV	DESCRIPTION
1	2015/05/29
2	2015/06/17
3	2015/06/18

QUALITY SYMBOLS	GENERAL TOLERANCES (UNLESS SPECIFIED)	
	mm	INCH
$F_A=0$	4 PLACES ± ---	± ---
$F_C=0$	3 PLACES ± ---	± ---
$F_D=0$	2 PLACES ± 0.20	± ---
$F_E=0$	1 PLACE ± ---	± ---
$F_F=0$	0 PLACE ± ---	± ---

ANGULAR ± 3 °  
DRAFT WHERE APPLICABLE MUST REMAIN WITHIN DIMENSIONS

DIMENSION STYLE		SCALE	DESIGN UNITS	THIRD ANGLE PROJECTION
MM ONLY		NTS	METRIC	
DRAWN BY	DATE	TITLE		
HLWANG06	2013/07/13	SALES DRAWING FOR BATTERY 1.2H 1.6MM PITCH DOUBLE ROW CONNECTOR		
CHECKED BY	DATE	<b>molex</b>		
JTAN02	2013/08/26			
APPROVED BY	DATE	DOCUMENT NO.	SHEET NO.	
KHLIM	2013/08/28	SD-78864-001	2 OF 2	
MATERIAL NO.	SEE TABLE			

THIS DRAWING CONTAINS INFORMATION THAT IS PROPRIETARY TO MOLEX INCORPORATED AND SHOULD NOT BE USED WITHOUT WRITTEN PERMISSION

PART NUMBER	POS. NO.
788641001	6