



Chipsmall Limited consists of a professional team with an average of over 10 year of expertise in the distribution of electronic components. Based in Hongkong, we have already established firm and mutual-benefit business relationships with customers from,Europe,America and south Asia,supplying obsolete and hard-to-find components to meet their specific needs.

With the principle of “Quality Parts,Customers Priority,Honest Operation,and Considerate Service”,our business mainly focus on the distribution of electronic components. Line cards we deal with include Microchip,ALPS,ROHM,Xilinx,Pulse,ON,Everlight and Freescale. Main products comprise IC,Modules,Potentiometer,IC Socket,Relay,Connector.Our parts cover such applications as commercial,industrial, and automotives areas.

We are looking forward to setting up business relationship with you and hope to provide you with the best service and solution. Let us make a better world for our industry!



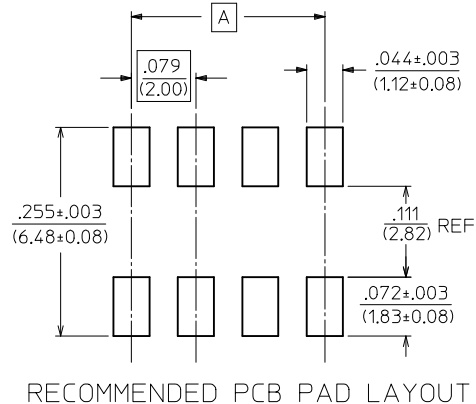
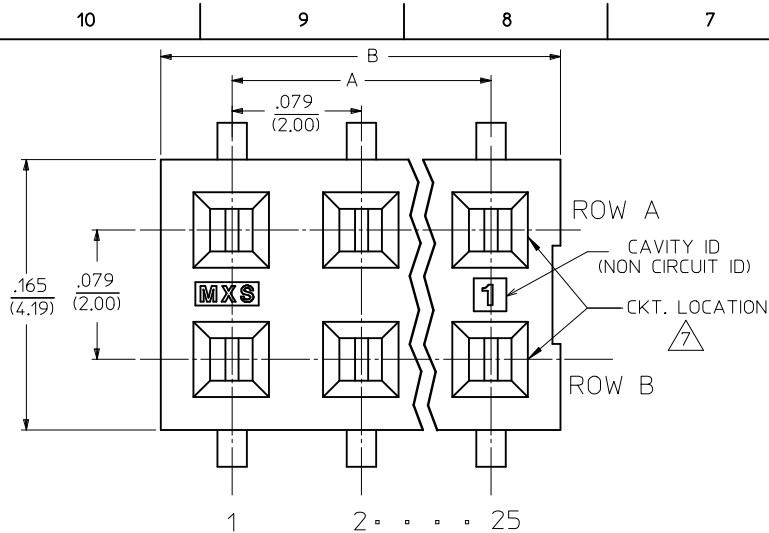
Contact us

Tel: +86-755-8981 8866 Fax: +86-755-8427 6832

Email & Skype: info@chipsmall.com Web: www.chipsmall.com

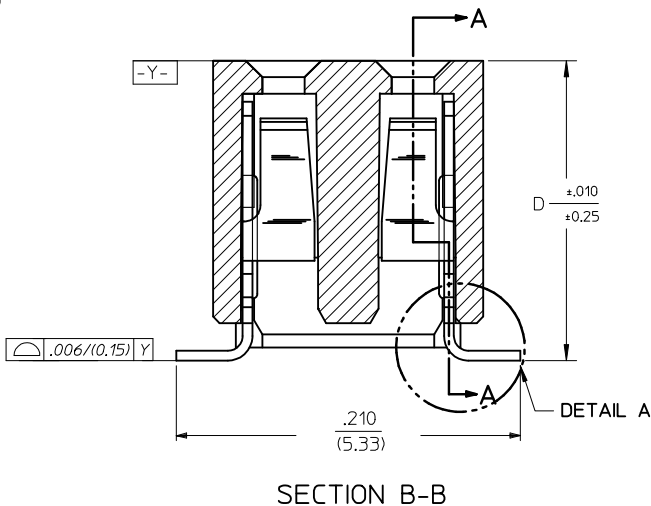
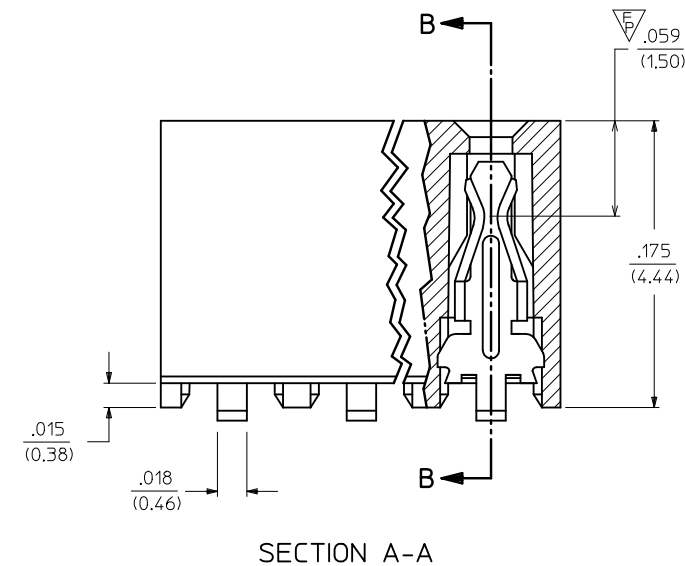
Address: A1208, Overseas Decoration Building, #122 Zhenhua RD., Futian, Shenzhen, China





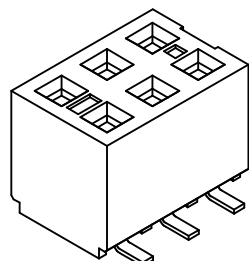
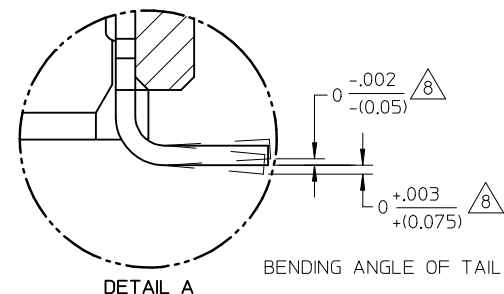
NOTES:

1. HOUSING MATERIAL:
LCP, GLASS FILLED, UL 94V-0
COLOUR BLACK.
2. TERMINAL MATERIAL:
PHOSPHOR BRONZE
3. SEE APPROPRIATE SHEET FOR CIRCUIT SIZE,
PART NUMBERS AND OVERALL DIMENSIONS.
4. 6 CKT WITHOUT CAP ASSY IS SHOWN FOR ILLUSTRATION ONLY.
5. REFER TO PRODUCT SPEC PS-79107.
6. TAPE PACKAGING PER PK-70873-0259
7. CKT LOCATIONS ARE NUMBERED FROM LEFT TO
RIGHT WHEN VIEWING ASSY FROM TOP WITH
THE GATE RECESS ON THE RIGHT AS SHOWN.
8. MEASUREMENT IS TAKEN BETWEEN THE TANGENT OF
THE TOE TO TIP OF THE TERMINAL.



PLATING OPTION:

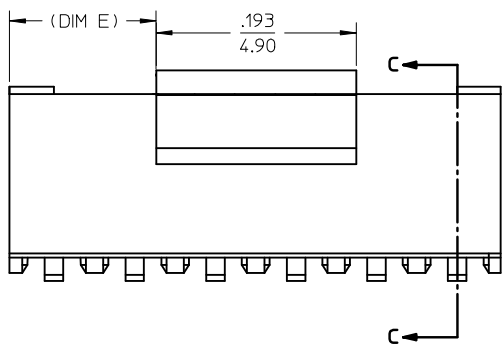
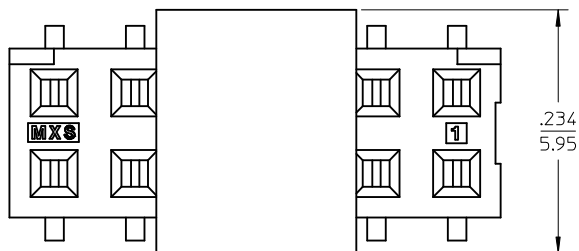
1. 30u" (0.75um) MIN. GOLD PLATE IN SELECTED AREA AND
75u" (1.88um) MIN. TIN PLATE IN SELECTED AREA OVER
50u" (1.25um) MIN. NICKEL OVERALL.
2. 15u" (0.38um) MIN. GOLD PLATE IN SELECTED AREA AND
75u" (1.88um) MIN. TIN PLATE IN SELECTED AREA OVER
50u" (1.25um) MIN. NICKEL OVERALL.
3. 5u" (0.13um) MIN. GOLD PLATE IN SELECTED AREA AND
75u" (1.88um) MIN. TIN PLATE IN SELECTED AREA OVER
50u" (1.25um) MIN. NICKEL OVERALL.



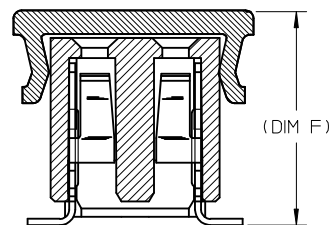
SEE SHEET 2 EC NO: S2017-0436 DRWN: GEMARLY 2017/02/18 CHKD: SCHEONG 2017/03/22 APPR: KHLIM 2017/03/24	QUALITY SYMBOLS	GENERAL TOLERANCES (UNLESS SPECIFIED)	DIMENSION STYLE	SCALE	DESIGN UNITS	THIRD ANGLE PROJECTION																										
	$F_A = 0$ $F_G = 0$ $F_P = 1$	<table border="1"> <thead> <tr> <th></th> <th>mm</th> <th>INCH</th> </tr> </thead> <tbody> <tr> <td>4 PLACES</td> <td>± ---</td> <td>± ---</td> </tr> <tr> <td>3 PLACES</td> <td>± ---</td> <td>± .010</td> </tr> <tr> <td>2 PLACES</td> <td>± 0.25</td> <td>± .015</td> </tr> <tr> <td>1 PLACE</td> <td>± 0.38</td> <td>± ---</td> </tr> </tbody> </table>		mm	INCH	4 PLACES	± ---	± ---	3 PLACES	± ---	± .010	2 PLACES	± 0.25	± .015	1 PLACE	± 0.38	± ---	<table border="1"> <thead> <tr> <th>mm</th> <th>INCH</th> </tr> </thead> <tbody> <tr> <td>± 0.10</td> <td>± .004</td> </tr> <tr> <td>± 0.15</td> <td>± .006</td> </tr> <tr> <td>± 0.25</td> <td>± .010</td> </tr> <tr> <td>± 0.38</td> <td>± .015</td> </tr> </tbody> </table>	mm	INCH	± 0.10	± .004	± 0.15	± .006	± 0.25	± .010	± 0.38	± .015	IN/MM	NTS	INCH	
		mm	INCH																													
	4 PLACES	± ---	± ---																													
3 PLACES	± ---	± .010																														
2 PLACES	± 0.25	± .015																														
1 PLACE	± 0.38	± ---																														
mm	INCH																															
± 0.10	± .004																															
± 0.15	± .006																															
± 0.25	± .010																															
± 0.38	± .015																															
DESCRIPTION	DRAWN BY: SKANG CHECKED BY: ATSEE APPROVED BY: MLONG DATE: 2010/10/28 DATE: 2010/12/02 DATE: 2010/12/03	TITLE	2MM DUAL ROW VERTICAL RECEPTACLE, SMT																													
REV	MATERIAL NO. DOCUMENT NO.	SEE TABLE THIS DRAWING CONTAINS INFORMATION THAT IS PROPRIETARY TO MOLEX INCORPORATED AND SHOULD NOT BE USED WITHOUT WRITTEN PERMISSION	MOLEX INCORPORATED		SHEET NO. 1 OF 4																											

PARTS WITHOUT PEG

CKT. SIZE	DIM. "A"		DIM. "B"		DIM. "C"		DIM. "D"		DIM. "E"		DIM. "F"		ITEM NO.	PLATING OPTION SEE SHEET 1		
	INCH	MM	INCH	MM	INCH	MM	INCH	MM	INCH	MM	INCH	MM				
4	.079	(2.00)	.165	(4.19)	-	-	.183	(4.65)	-	-	.207	(5.25)	79109-9104	1		
														79109-9504	2	
8	.236	(6.00)	.322	(8.19)	-	-	.183	(4.65)	.065	(1.65)					79109-9208	2
10	.315	(8.00)	.401	(10.19)	-	-	.183	(4.65)	.104	(2.65)					79109-9210	2
12	.394	(10.00)	.480	(12.19)	-	-	.183	(4.65)	.144	(3.65)					79109-9212	2
14	.472	(12.00)	.559	(14.19)	-	-	.183	(4.65)	.183	(4.65)					79109-9214	2



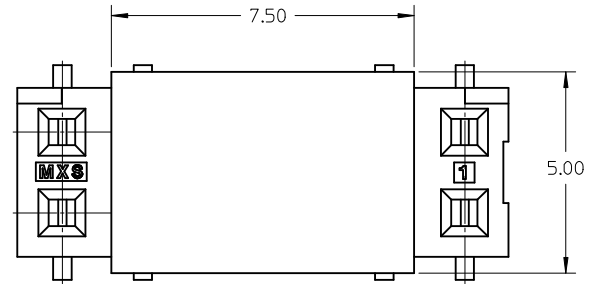
SECTION C-C



ADD 79109-9504 EC NO: S2017-0436 DRW: GEMENARLY 2017/02/18 CHK: DSCHEONG 2017/03/22 APPR: KHLIM 2017/03/24	QUALITY SYMBOLS	GENERAL TOLERANCES (UNLESS SPECIFIED)	DIMENSION STYLE	SCALE	DESIGN UNITS	THIRD ANGLE PROJECTION
	$F_A = 0$ $F_C = 0$ $F_P = 0$	mm INCH 4 PLACES ± --- ± --- 3 PLACES ± --- ± .010 2 PLACES ± 0.25 ± .015 1 PLACE ± 0.38 ± --- ANGULAR ± 3°	IN/MM	NTS	INCH	
	DESCRIPTION	DRAFT WHERE APPLICABLE MUST REMAIN WITHIN DIMENSIONS	DRAWN BY	DATE	TITLE	
	A4		SKANG	2010/10/28	2MM DUAL ROW VERTICAL RECEPTACLE, SMT	
			CHECKED BY	DATE	MOLEX INCORPORATED	
			ATSEE	2010/12/02	DOCUMENT NO.	
			APPROVED BY	DATE	SHEET NO.	
			MLONG	2010/12/03	SD-79109-006	
			MATERIAL NO.	THIS DRAWING CONTAINS INFORMATION THAT IS PROPRIETARY TO MOLEX INCORPORATED AND SHOULD NOT BE USED WITHOUT WRITTEN PERMISSION		
			SEE TABLE	2 OF 4		

PARTS WITH PEG

CKT. SIZE	DIM. "A"		DIM. "B"		DIM. "C"		DIM. "D"		DIM. "E"		DIM. "F"		ASSEMBLY P/N WITH CAP	ASSEMBLY P/N WITH KAPTON TAPE	PLATING OPTION SEE SHEET 1
	INCH	MM	INCH	MM	INCH	MM	INCH	MM	INCH	MM	INCH	MM			
8	.236	(6.00)	.322	(8.19)	.157	(4.00)	.183	(4.65)	.065	(1.65)			79109-9108	-	1
18	.630	(16.00)	.716	(18.19)	.551	(14.00)	.183	(4.65)	.262	(6.65)	.207	(5.25)	79109-9118	79109-9318	1



12CKT WITH KAPTON TAPE ILLUSTRATION

SEE SHEET 2 EC NO: S2017-0436 DRWN:GEMARLY 2017/02/18 CHKD:SCHEONG 2017/03/22 APPR:KHLIM 2017/03/24	QUALITY SYMBOLS	GENERAL TOLERANCES (UNLESS SPECIFIED)	DIMENSION STYLE IN/MM	SCALE NTS	DESIGN UNITS INCH	THIRD ANGLE PROJECTION	
	$F_A=0$ $F_C=0$ $F_P=0$	mm INCH 4 PLACES ± --- ± --- 3 PLACES ± --- ± .010 2 PLACES ± 0.25 ± .015 1 PLACE ± 0.38 ± --- ANGULAR ± 3 °	DRAWN BY SKANG DATE 2010/10/28 CHECKED BY ATSEE DATE 2010/12/02 APPROVED BY MLONG DATE 2010/12/03	TITLE	2MM DUAL ROW VERTICAL RECEPTACLE, SMT		
	DRAFT WHERE APPLICABLE MUST REMAIN WITHIN DIMENSIONS	SEE TABLE	MATERIAL NO.	MOLEX INCORPORATED		DOCUMENT NO.	SHEET NO.
			SIZE A3	THIS DRAWING CONTAINS INFORMATION THAT IS PROPRIETARY TO MOLEX INCORPORATED AND SHOULD NOT BE USED WITHOUT WRITTEN PERMISSION			SD-79109-006