



Chipsmall Limited consists of a professional team with an average of over 10 year of expertise in the distribution of electronic components. Based in Hongkong, we have already established firm and mutual-benefit business relationships with customers from,Europe,America and south Asia,supplying obsolete and hard-to-find components to meet their specific needs.

With the principle of "Quality Parts,Customers Priority,Honest Operation,and Considerate Service",our business mainly focus on the distribution of electronic components. Line cards we deal with include Microchip,ALPS,ROHM,Xilinx,Pulse,ON,Everlight and Freescale. Main products comprise IC,Modules,Potentiometer,IC Socket,Relay,Connector.Our parts cover such applications as commercial,industrial, and automotives areas.

We are looking forward to setting up business relationship with you and hope to provide you with the best service and solution. Let us make a better world for our industry!



Contact us

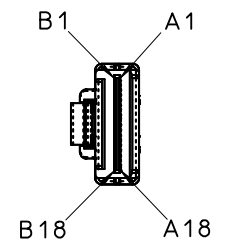
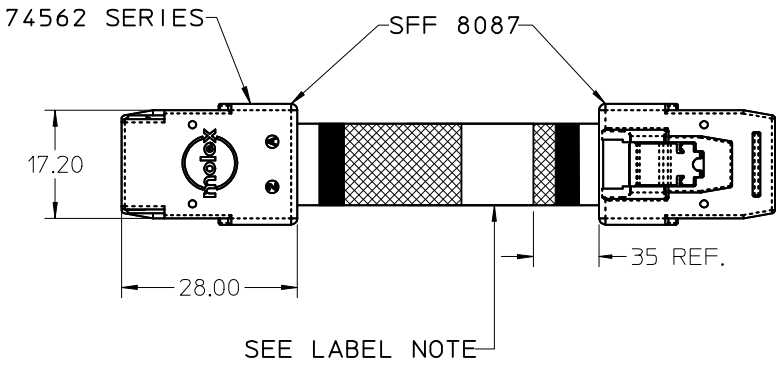
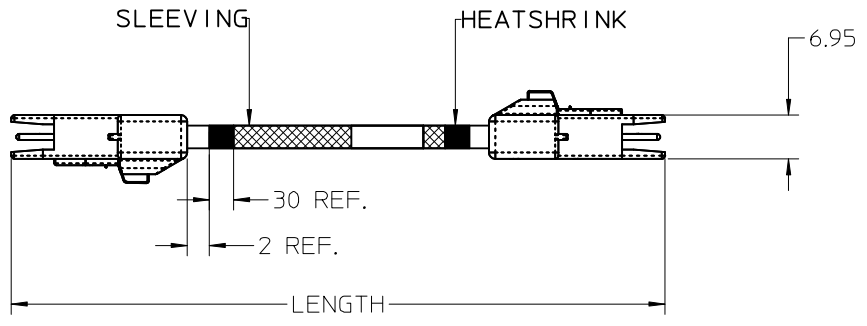
Tel: +86-755-8981 8866 Fax: +86-755-8427 6832

Email & Skype: info@chipsmall.com Web: www.chipsmall.com

Address: A1208, Overseas Decoration Building, #122 Zhenhua RD., Futian, Shenzhen, China



MOLEX P/N	SIDEBANDS	APPLICATION	SLEEVING	AWG	LENGTH(M)	TOL(+/-)	PIN OUT
795762100	YES	Ctrl to BP	YES	30	0.152	0.015	PIN OUT 1
795762101	YES	Ctrl to BP	YES	30	0.3	0.015	PIN OUT 1
795762102	YES	Ctrl to BP	YES	30	0.5	0.015	PIN OUT 1
795762103	YES	Ctrl to BP	YES	30	0.6	0.015	PIN OUT 1
795762104	YES	Ctrl to BP	YES	28	1	0.030	PIN OUT 1
795762105	YES	Ctrl to BP	YES	30	0.33	0.015	PIN OUT 1
795762107	YES	Ctrl TO BP	YES	30	0.225	0.015	PIN OUT 1
795762110	YES	Ctrl to CTRL	YES	30	0.152	0.015	PIN OUT 2
795762111	YES	Ctrl to CTRL	YES	30	0.3	0.015	PIN OUT 2
795762112	YES	Ctrl to CTRL	YES	30	0.5	0.015	PIN OUT 2
795762113	YES	Ctrl to CTRL	YES	30	0.6	0.015	PIN OUT 2
795762114	YES	Ctrl to CTRL	YES	28	1	0.030	PIN OUT 2
795762120	NO	N/A	YES	30	0.152	0.015	PIN OUT 3
795762121	NO	N/A	YES	30	0.3	0.015	PIN OUT 3
795762122	NO	N/A	YES	30	0.5	0.015	PIN OUT 3
795762123	NO	N/A	YES	30	0.6	0.015	PIN OUT 3
795762124	NO	N/A	YES	28	1	0.030	PIN OUT 3
795762125	NO	N/A	YES	28	0.875	0.010	PIN OUT 3
795762126	NO	N/A	YES	30	0.650	0.010	PIN OUT 3
795762127	NO	N/A	YES	28	0.710	0.010	PIN OUT 3
795762128	NO	N/A	YES	28	0.935	0.010	PIN OUT 3
795762129	NO	N/A	YES	30	0.800	0.010	PIN OUT 3
795762141	NO	N/A	YES	28	1.1	0.010	PIN OUT 3
795762142	NO	N/A	YES	28	2.1	0.010	PIN OUT 3
795762012	YES	Ctrl to CTRL	NO	30	0.5	0.015	PIN OUT 2
795762137	NO	N/A	YES	28	0.6	0.015	PIN OUT 3
795762138	NO	N/A	YES	26	0.9	0.015	PIN OUT 3
795762140	YES	Ctrl to BP	YES	26	0.8	0.015	PIN OUT 1

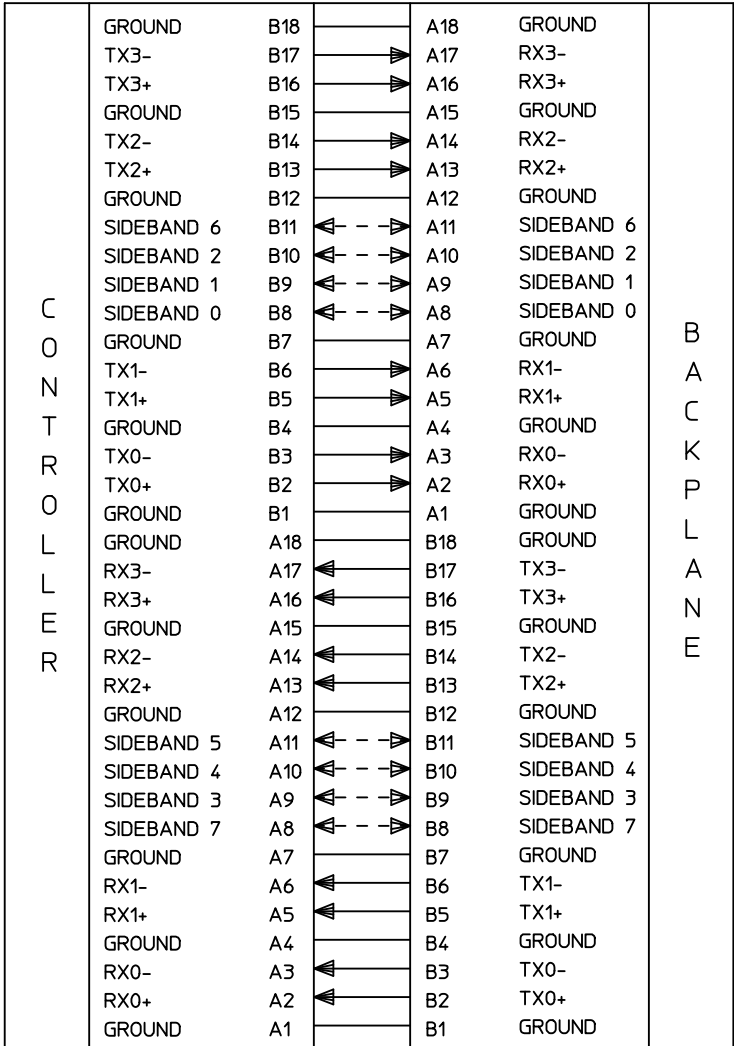


ONLY TOP CONNECTOR SHOWN FOR CLARITY

- NOTES:
- MATERIAL:
OVER MOLD - POLYBUTYLENE TEREPHTHALATE (PBT), 94-V0.
GLASS FILLED 30%.
LATCH - STAINLESS STEEL ALLOY.
CABLE -
SIGNALS PVC INSULATION
SOLID COPPER SIGNALAND DRAIN.
INNER DIELECTRIC IS POLYOLEFIN
TWIN-AX SHIELD IS ALUMINIZED POLYESTER FOIL.
JACKET - PVC RED
PCB - FR4
 - PRODUCT TO PERFORM PER
PRODUCT SPECIFICATION: PS-75783-001.
 - PRODUCT MATES TO 75783 (RIGHT ANGLE) AND 75784 (VERTICAL) SERIES.
 - THIS PRODUCT CONFORMS TO THE MECHANICAL DIMENSIONING AND ELECTRICAL PERFORMANCE REQUIREMENTS OF SFF-8087.
 - MINIMUM RECOMMENDED BEND RADIUS 28 MM.
 - THIS PRODUCT MEETS THE RESTRICTION OF HAZARDOUS SUBSTANCES IN ELECTRICAL AND ELECTRONIC EQUIPMENT (RoHS) DIRECTIVE (2002/95/EC)
 - LABEL INFO.
MOLEX
<<PART NUMBER>>
MADE IN XXXX (XXXX: MANUFACTURING LOCATION: US/ CHINA/ PHILIPPINES)
WW/YY

IPASS™ IS A TRADEMARK OF MOLEX.

ENTER DESCRIPTION EC NO: CPG2016-4062 DRW: CJEH03 CHKD: 0001 APPR: RJSU01 2016/05/26 2016/05/26 2016/05/20	QUALITY SYMBOLS $F_{\Delta} = 0$ $F_{\square} = 0$ $F_{\nabla} = 0$	GENERAL TOLERANCES (UNLESS SPECIFIED)		DIMENSION STYLE MM/IN		SCALE ---	DESIGN UNITS METRIC	THIRD ANGLE PROJECTION	
			mm	INCH	DRAWN BY	DATE	TITLE		
		4 PLACES	± ---	± ---	JERWIN	2006/04/25	IPASS (MINI-SAS) INTERNAL CABLE 36 CKT 4X W/ SIDEBANDS		
		3 PLACES	± ---	± .01	CHECKED BY	DATE	molex SD-79576-200		
2 PLACES	± 0.25	± ---	THALL	2006/04/25	MATERIAL NO.	DOCUMENT NO.			
1 PLACE	± ---	± ---	APPROVED BY	DATE	SEE TABLE		1 OF 4		
0 PLACE	±	±	DDOYE	2006/04/25	THIS DRAWING CONTAINS INFORMATION THAT IS PROPRIETARY TO MOLEX INCORPORATED AND SHOULD NOT BE USED WITHOUT WRITTEN PERMISSION				
DRAFT WHERE APPLICABLE MUST REMAIN WITHIN DIMENSIONS		ANGULAR ± 1 °							



NOTE:
 1. PINOUT CONFORMS TO SAS 1.1 9.0D SECTION 5.2.4.1.2.3
 2. ALL SIGNAL GROUNDS ARE BUSSED IN PCB.

P I N O U T 1

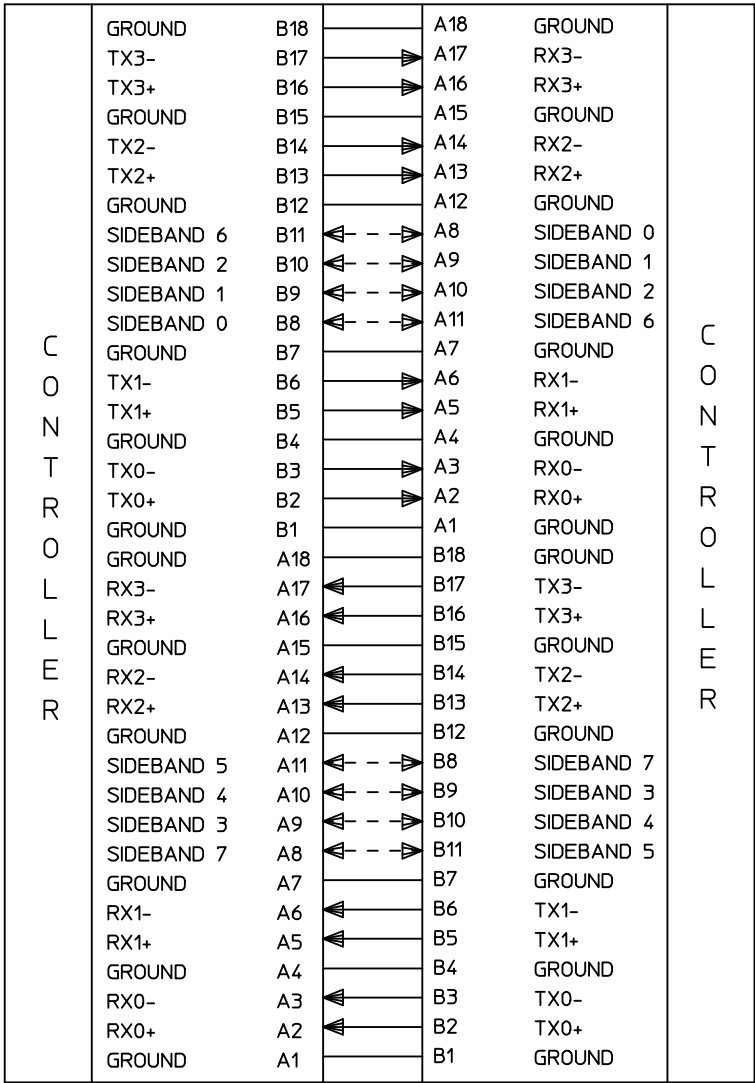
C O N T R O L L E R

B A C K P L A N E

IPASS™ IS A TRADEMARK OF MOLEX

ENTER DESCRIPTION EC NO: CPG2016-4062 DRWN: CJEH03 CHKD: LOU01 APPR: RJSU01	QUALITY SYMBOLS $F_A=0$ $F_C=0$ $F_P=0$	GENERAL TOLERANCES (UNLESS SPECIFIED)		DIMENSION STYLE MM/IN		SCALE - - - -	DESIGN UNITS METRIC	THIRD ANGLE PROJECTION	
			mm	INCH	DRAWN BY JERWIN	DATE 2006/04/25	TITLE IPASS (MINI-SAS) INTERNAL CABLE 36 CKT 4X W/ SIDEBANDS		
		4 PLACES ± --- ± --- 3 PLACES ± --- ± .01 2 PLACES ± 0.25 ± --- 1 PLACE ± --- ± --- 0 PLACE ± ±	ANGULAR ± 1 °		CHECKED BY THALL	DATE 2006/04/25	APPROVED BY DDOYE		
		DRAFT WHERE APPLICABLE MUST REMAIN WITHIN DIMENSIONS		MATERIAL NO. SEE TABLE		DOCUMENT NO. SD-79576-200		SHEET NO. 2 OF 4	

THIS DRAWING CONTAINS INFORMATION THAT IS PROPRIETARY TO MOLEX INCORPORATED AND SHOULD NOT BE USED WITHOUT WRITTEN PERMISSION



NOTE

1. FOR CONTROLLER TO CONTROLLER.
2. ALL SIGNAL GROUNDS ARE BUSSED IN PCB.

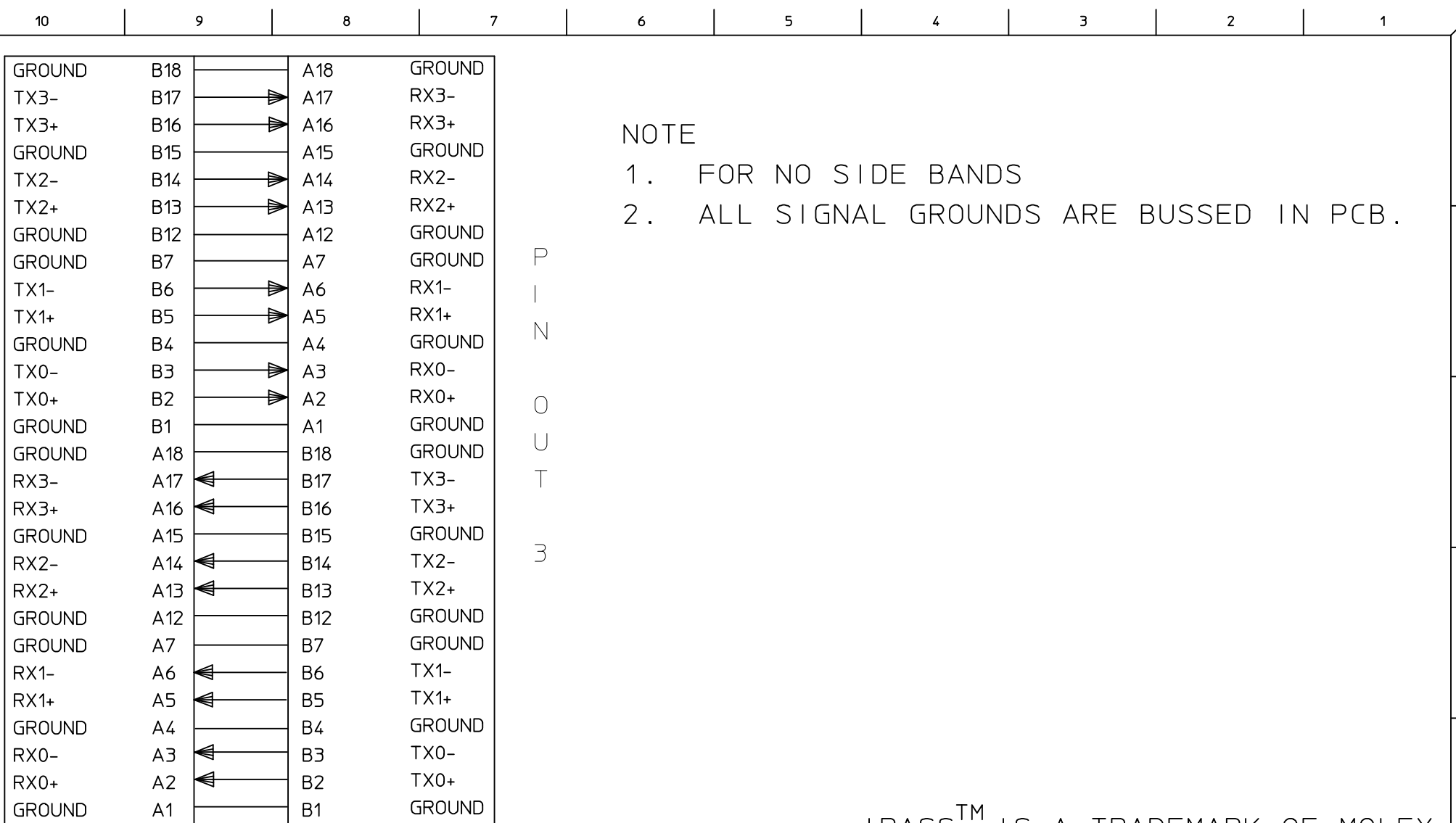
P I N O U T 2

C O N T R O L L E R

C O N T R O L L E R

IPASS™ IS A TRADEMARK OF MOLEX

ENTER DESCRIPTION EC NO: CPG2016-4062 DRWN: CYEH03 CHKD: LOU01 APPR: RHSU01	2016/05/26 2016/05/26 2016/05/30	QUALITY SYMBOLS F _A =0 F _C =0 F _P =0	GENERAL TOLERANCES (UNLESS SPECIFIED) mm INCH 4 PLACES ± --- ± --- 3 PLACES ± --- ± .01 2 PLACES ± 0.25 ± --- 1 PLACE ± --- ± --- 0 PLACE ± ±	DIMENSION STYLE MM/IN DRAWN BY DATE JERWIN 2006/04/25 CHECKED BY DATE THALL 2006/04/25 APPROVED BY DATE DDOYE 2006/04/25	SCALE --- DESIGN UNITS METRIC THIRD ANGLE PROJECTION	TITLE IPASS (MINI-SAS) INTERNAL CABLE 36 CKT 4X W/ SIDEBANDS
	MATERIAL NO. SEE TABLE	DOCUMENT NO. SD-79576-200	SHEET NO. 3 OF 4			
	DRAFT WHERE APPLICABLE MUST REMAIN WITHIN DIMENSIONS	SIZE A3	THIS DRAWING CONTAINS INFORMATION THAT IS PROPRIETARY TO MOLEX INCORPORATED AND SHOULD NOT BE USED WITHOUT WRITTEN PERMISSION			
	REV	DESCRIPTION	DESCRIPTION			



IPASS™ IS A TRADEMARK OF MOLEX

ENTER DESCRIPTION EC NO: CPG2016-4062 DRWN: CYEH03 CHKD: LOU01 APPR: RHSU01	2016/05/26 2016/05/26 2016/05/30	DESCRIPTION F _A =0 F _B =0 F _C =0	QUALITY SYMBOLS	GENERAL TOLERANCES (UNLESS SPECIFIED)		DIMENSION STYLE MM/IN	SCALE ----	DESIGN UNITS METRIC	THIRD ANGLE PROJECTION			
					mm	INCH	DRAWN BY DATE		TITLE IPASS (MINI-SAS) INTERNAL CABLE 36 CKT 4X W/ SIDEBANDS 			
				4 PLACES	± ---	± ---	JERWIN	2006/04/25				
				3 PLACES	± ---	± .01	CHECKED BY DATE					
2 PLACES	± 0.25	± ---	THALL	2006/04/25								
1 PLACE	± ---	± ---	APPROVED BY DATE									
0 PLACE	±	±	DDOYE	2006/04/25								
ANGULAR ± 1 °				DRAFT WHERE APPLICABLE MUST REMAIN WITHIN DIMENSIONS		MATERIAL NO.		DOCUMENT NO.				
						SEE TABLE		SD-79576-200				
						SIZE A3		SHEET NO. 4 OF 4				
THIS DRAWING CONTAINS INFORMATION THAT IS PROPRIETARY TO MOLEX INCORPORATED AND SHOULD NOT BE USED WITHOUT WRITTEN PERMISSION												