



Chipsmall Limited consists of a professional team with an average of over 10 year of expertise in the distribution of electronic components. Based in Hongkong, we have already established firm and mutual-benefit business relationships with customers from,Europe,America and south Asia,supplying obsolete and hard-to-find components to meet their specific needs.

With the principle of "Quality Parts,Customers Priority,Honest Operation,and Considerate Service",our business mainly focus on the distribution of electronic components. Line cards we deal with include Microchip,ALPS,ROHM,Xilinx,Pulse,ON,Everlight and Freescale. Main products comprise IC,Modules,Potentiometer,IC Socket,Relay,Connector.Our parts cover such applications as commercial,industrial, and automotives areas.

We are looking forward to setting up business relationship with you and hope to provide you with the best service and solution. Let us make a better world for our industry!



Contact us

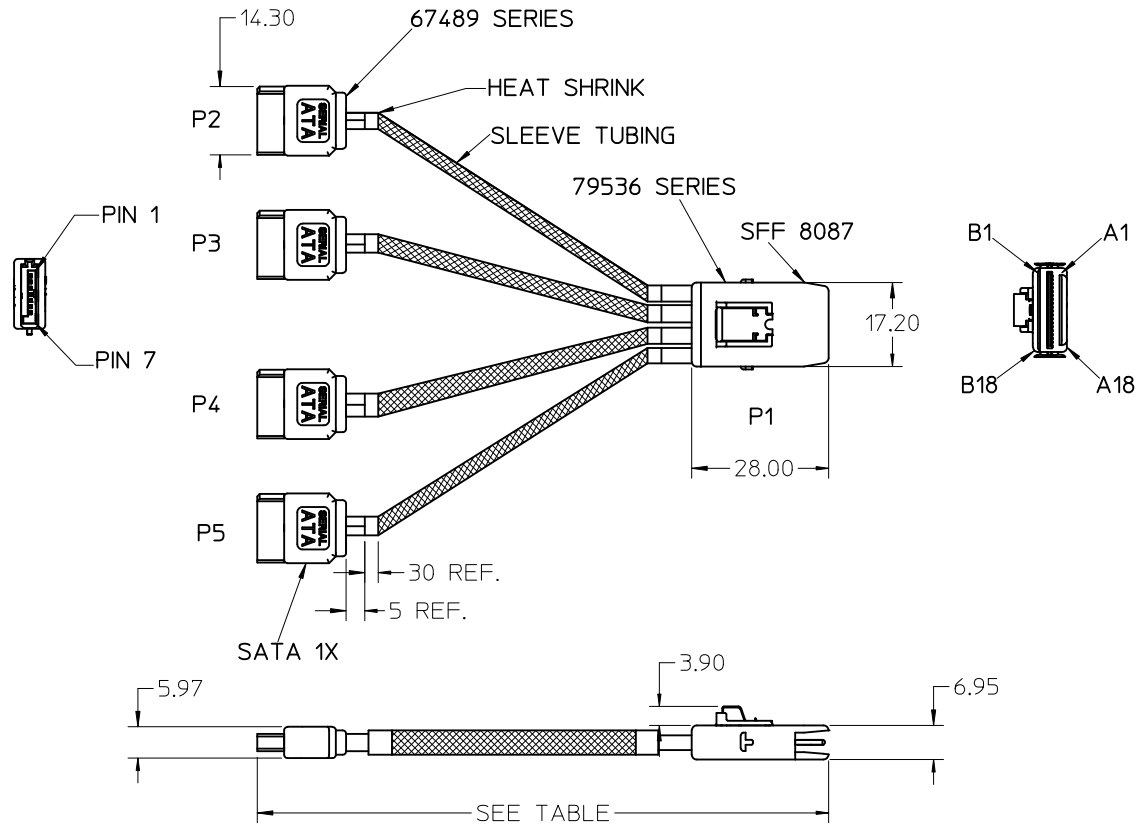
Tel: +86-755-8981 8866 Fax: +86-755-8427 6832

Email & Skype: info@chipsmall.com Web: www.chipsmall.com

Address: A1208, Overseas Decoration Building, #122 Zhenhua RD., Futian, Shenzhen, China



MATERIAL #	APP	AWG	LENGTH(M)	TOL (+/-)	PIN OUT
79576-3000	IPASS ON BP	30	0.152	0.015	PIN OUT 1
79576-3001	IPASS ON BP	30	0.3	0.015	PIN OUT 1
79576-3002	IPASS ON BP	30	0.5	0.015	PIN OUT 1
79576-3006	IPASS ON BP	30	0.6	0.015	PIN OUT 1
79576-3007	IPASS ON BP	26	1	0.030	PIN OUT 1
79576-3008	IPASS ON CTRL	30	0.152	0.015	PIN OUT 2
79576-3009	IPASS ON CTRL	30	0.3	0.015	PIN OUT 2
79576-3003	IPASS ON CTRL	30	0.5	0.015	PIN OUT 2
79576-3004	IPASS ON CTRL	30	0.6	0.015	PIN OUT 2
79576-3005	IPASS ON CTRL	26	1	0.030	PIN OUT 2
79576-3010	IPASS ON CTRL	26	0.178	0.015	PIN OUT 2
79576-3011	IPASS ON CTRL	26	0.267	0.015	PIN OUT 2



NOTES

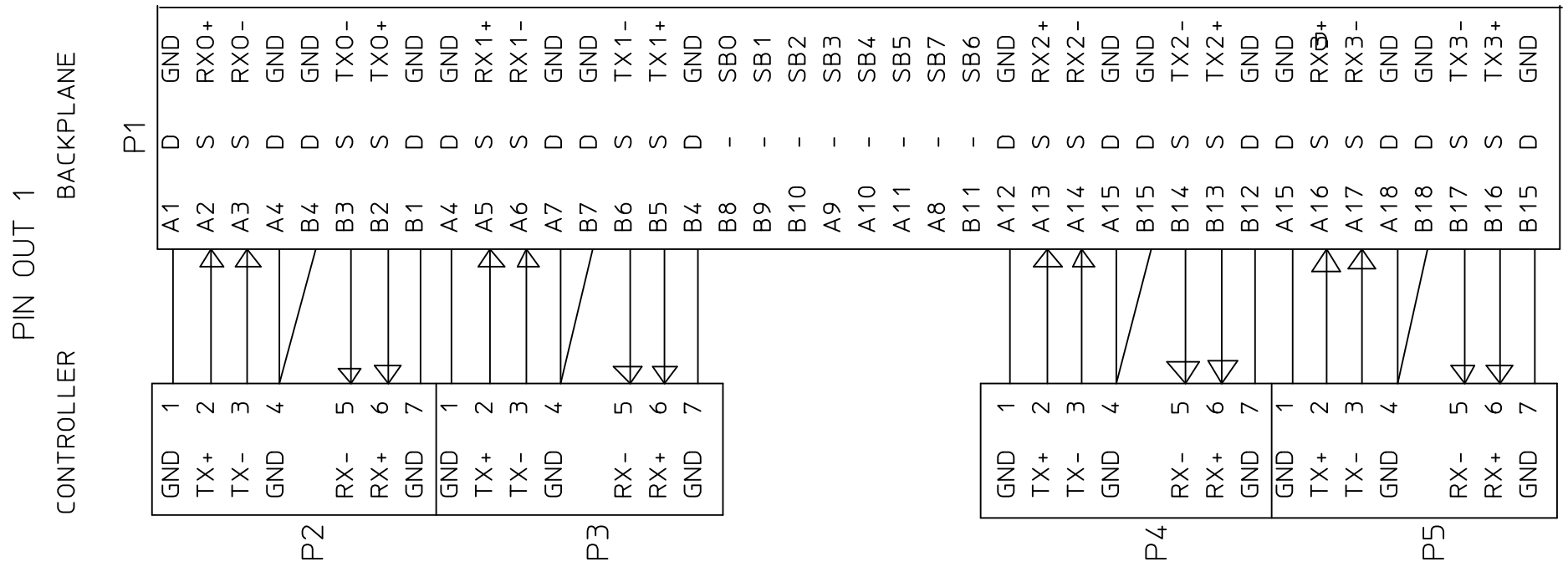
- MATERIAL:
OVER MOLD - POLYPROPYLENE (PP), 94V-0
GLASS FILLED.
LATCH - STAINLESS STEEL ALLOY
CABLE - (8) 26 AWG PARALLEL PAIR, 100 OHM
DIFFERENTIAL IMPEDANCE. INNER DIELECTRIC IS
POLYOLEFIN AND OUTER JACKET IS ALUMINIZED
POLYESTER FOIL.
PCB - FR4
- PRODUCT TO PERFORM PER
PRODUCT SPECIFICATION: PS-79536-001.
- PRODUCT SERIES 79536 MATES TO 75783 (RIGHT ANGLE),
75784 (VERTICAL).
- THIS PRODUCT CONFORMS TO THE MECHANICAL
DIMENSIONING AND ELECTRICAL PERFORMANCE
REQUIREMENTS OF SSF-8086 AND SSF-8087
- PIN OUT CONFORMS TO SAS 1.1 9.0D SECTION 5.2.4.1.3.3 F83

IPASS™ IS A TRADEMARK OF MOLEX

DOC HISTORY ONLY EC NO: USY2011-0032 DRWN:KPHILLIPS 2005/08/23 CHKD:T.HALL 2005/08/23 APPR:DDOYE 2010/08/18 REV DESCRIPTION	QUALITY SYMBOLS ▽=0 ▽=0	GENERAL TOLERANCES (UNLESS SPECIFIED) mm INCH 4 PLACES ± --- ± --- 3 PLACES ± --- ± .01 2 PLACES ± 0.25 ± --- 1 PLACE ± --- ± --- ANGULAR ± 1°	DIMENSION STYLE MM/IN DRAWN BY DATE KPHILLIPS 2005/08/23 CHECKED BY DATE THALL 2005/08/23 APPROVED BY DATE DDOYE 2005/08/23	SCALE 1:1 DESIGN UNITS METRIC THIRD ANGLE PROJECTION	TITLE IPASS CABLE ASSY 36 CKT TO SATA FANOUT CABLE
	DRAFT WHERE APPLICABLE MUST REMAIN WITHIN DIMENSIONS		MATERIAL NO. SEE CHART	DOCUMENT NO. SD-79576-300	SHEET NO. 1 OF 3
	THIS DRAWING CONTAINS INFORMATION THAT IS PROPRIETARY TO MOLEX INCORPORATED AND SHOULD NOT BE USED WITHOUT WRITTEN PERMISSION				
	MOLEX INCORPORATED				

NOTE:

PIN OUT CONFORMS TO SAS 1.1 09D SECTION 5.2.3.2.3.3 FIG 83 AND SECTION 5.2.3.2.3.3 TBL 27

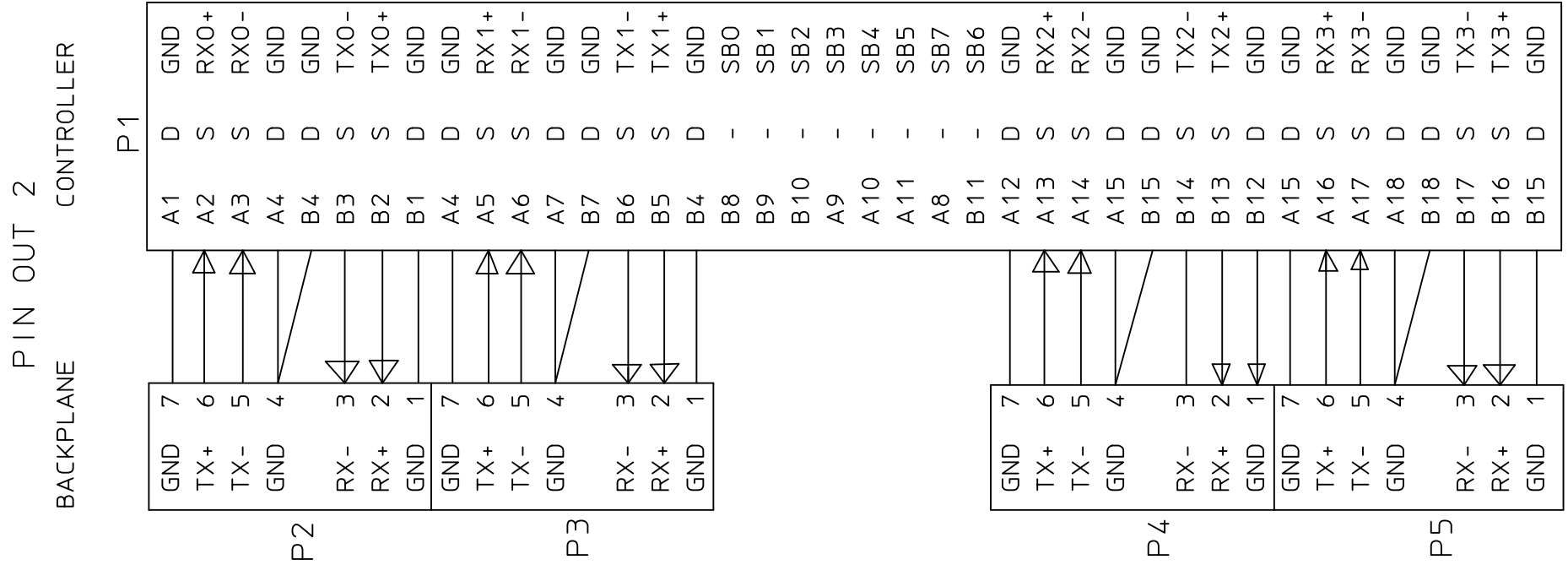


NOTE:
 1) D = DRAIN WIRE
 S = SIGNAL WIRE

DOC HISTORY ONLY EC NO: USY2011-0032 DRWN:KPHILLIPS 2005/08/23 CH'KD:T.HALL 2005/08/23 APPR:DDOYE 2010/08/18 D	QUALITY SYMBOLS = 0 = 0	GENERAL TOLERANCES (UNLESS SPECIFIED)		DIMENSION STYLE MM/IN		SCALE 1:1	DESIGN UNITS METRIC	THIRD ANGLE PROJECTION	
		4 PLACES	± ---	± ---	DRAWN BY	DATE	TITLE IPASS CABLE ASSY 36 CKT TO SATA FANOUT CABLE		
		3 PLACES	± ---	± .01	CHECKED BY	DATE			
		2 PLACES	± 0.25	± ---	APPROVED BY	DATE	MOLEX INCORPORATED		
1 PLACE	± ---	± ---	DDOYE	2005/08/23					
DRAFT WHERE APPLICABLE MUST REMAIN WITHIN DIMENSIONS				MATERIAL NO. SEE CHART		DOCUMENT NO. SD-79576-300	SHEET NO. 2 OF 3		
THIS DRAWING CONTAINS INFORMATION THAT IS PROPRIETARY TO MOLEX INCORPORATED AND SHOULD NOT BE USED WITHOUT WRITTEN PERMISSION									

NOTE:

NON-STANDARD PIN OUT WITH SATA BACKPLANE CONNECTORS TWISTED



NOTE:

- 1) D = DRAIN WIRE
- S = SIGNAL WIRE

DOC HISTORY ONLY EC NO: USY2011-0032 DRWN:KPHILLIPS 2005/08/23 CHKD:T.HALL 2005/08/23 APPR:DDOYE 2010/08/18	QUALITY SYMBOLS	GENERAL TOLERANCES (UNLESS SPECIFIED)		DIMENSION STYLE MM/IN		SCALE 1:1	DESIGN UNITS METRIC	THIRD ANGLE PROJECTION		
	=0 =0		mm	INCH	DRAWN BY	DATE	TITLE IPASS CABLE ASSY 36 CKT TO SATA FANOUT CABLE			
		4 PLACES	± ---	± ---	KPHILLIPS	2005/08/23				
		3 PLACES	± ---	± .01	CHECKED BY	DATE	MOLEX INCORPORATED			
	2 PLACES	± 0.25	± ---	THALL	2005/08/23					
	1 PLACE	± ---	± ---	APPROVED BY	DATE	MOLEX INCORPORATED		SHEET NO.		
		ANGULAR ± 1 °		MATERIAL NO.		DOCUMENT NO.		3 OF 3		
		DRAFT WHERE APPLICABLE MUST REMAIN WITHIN DIMENSIONS		SEE CHART		SD-79576-300				
				SIZE	THIS DRAWING CONTAINS INFORMATION THAT IS PROPRIETARY TO MOLEX INCORPORATED AND SHOULD NOT BE USED WITHOUT WRITTEN PERMISSION					