



Chipsmall Limited consists of a professional team with an average of over 10 year of expertise in the distribution of electronic components. Based in Hongkong, we have already established firm and mutual-benefit business relationships with customers from,Europe,America and south Asia,supplying obsolete and hard-to-find components to meet their specific needs.

With the principle of “Quality Parts,Customers Priority,Honest Operation,and Considerate Service”,our business mainly focus on the distribution of electronic components. Line cards we deal with include Microchip,ALPS,ROHM,Xilinx,Pulse,ON,Everlight and Freescale. Main products comprise IC,Modules,Potentiometer,IC Socket,Relay,Connector.Our parts cover such applications as commercial,industrial, and automotives areas.

We are looking forward to setting up business relationship with you and hope to provide you with the best service and solution. Let us make a better world for our industry!



Contact us

Tel: +86-755-8981 8866 Fax: +86-755-8427 6832

Email & Skype: info@chipsmall.com Web: www.chipsmall.com

Address: A1208, Overseas Decoration Building, #122 Zhenhua RD., Futian, Shenzhen, China



10

9

8

7

5

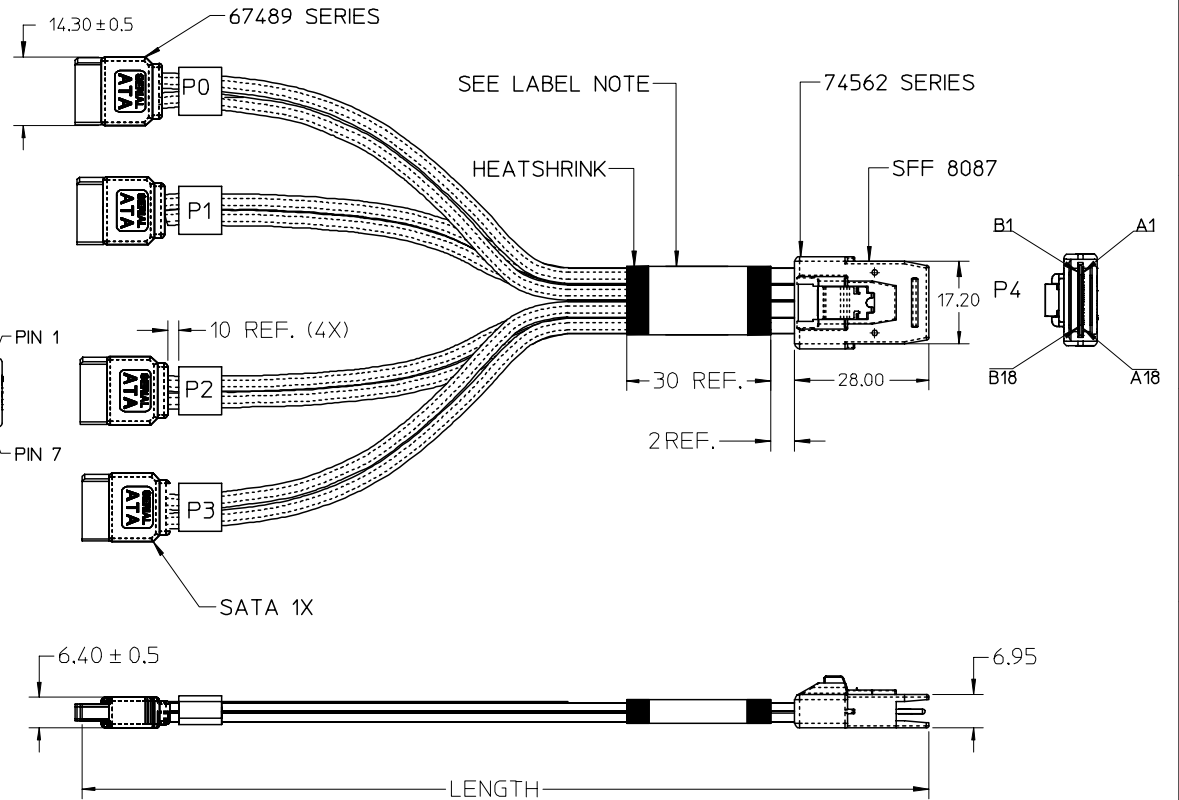
4

3

2

79576

| MATERIAL # | APPLICATION | AWG | LENGTH(M) | TOL(+/-) | PIN OUT |
|------------|---------------|-----|-----------|----------|-----------|
| 79576-3000 | IPASS ON BP | 30 | 0.152 | 0.015 | PIN OUT 1 |
| 79576-3001 | IPASS ON BP | 30 | 0.3 | 0.015 | PIN OUT 1 |
| 79576-3002 | IPASS ON BP | 30 | 0.5 | 0.015 | PIN OUT 1 |
| 79576-3006 | IPASS ON BP | 30 | 0.6 | 0.015 | PIN OUT 1 |
| 79576-3007 | IPASS ON BP | 28 | 1 | 0.030 | PIN OUT 1 |
| 79576-3008 | IPASS ON CTRL | 30 | 0.152 | 0.015 | PIN OUT 2 |
| 79576-3009 | IPASS ON CTRL | 30 | 0.3 | 0.015 | PIN OUT 2 |
| 79576-3003 | IPASS ON CTRL | 30 | 0.5 | 0.015 | PIN OUT 2 |
| 79576-3004 | IPASS ON CTRL | 30 | 0.6 | 0.015 | PIN OUT 2 |
| 79576-3005 | IPASS ON CTRL | 28 | 1 | 0.030 | PIN OUT 2 |
| 79576-3010 | IPASS ON CTRL | 28 | 0.178 | 0.015 | PIN OUT 2 |
| 79576-3011 | IPASS ON CTRL | 28 | 0.267 | 0.015 | PIN OUT 2 |
| 79576-3012 | IPASS ON BP | 30 | 0.2 | 0.015 | PIN OUT 1 |



NOTES:

1. MATERIAL:

OVER MOLD - POLYBUTYLENE TEREPHTHALATE (PBT), 94-V0,
GLASS FILLED 30%.

LATCH - STAINLESS STEEL ALLOY.

CABLE -

SIGNALS PVC INSULATION

SOLID COPPER SIGNAL AND DRAIN.

INNER DIELECTRIC IS POLYOLEFIN

TWIN-AX SHIELD IS ALUMINIZED POLYESTER FOIL.

PCB - FR4

2. PRODUCT TO PERFORM PER

PRODUCT SPECIFICATION: PS-79536-001.

3. PRODUCT SERIES 74562 MATES TO 75783 (RIGHT ANGLE),
75784 (VERTICAL).4. THIS PRODUCT CONFORMS TO THE MECHANICAL
DIMENSIONING AND ELECTRICAL PERFORMANCE
REQUIREMENTS OF SFF-8086 AND SFF-8087.

5. MINIMUM RECOMMENDED BEND RADIUS 28 MM.

6. PIN OUT CONFORMS TO SAS 1.1 9.00

SECTION 5.2.4.1.3.3 F83

7. PRODUCT IS RoHS COMPLIANT.

8. LABEL DETAIL:

MOLEX

79576-30XX

MADE IN CHINA

YY/WW

| ENTER DESCRIPTION | | QUALITY SYMBOLS | | GENERAL TOLERANCES (UNLESS SPECIFIED) | | DIMENSION STYLE | | SCALE | | DESIGN UNITS | | THIRD ANGLE PROJECTION | |
|-------------------|------------|-----------------|------------|---------------------------------------|--|-----------------|--------------|--|--------------------|--------------|--|------------------------|--|
| EC NO: | DRWN: | CHKD: | APPR: | REV | mm | INCH | MM/IN | 1:1 | METRIC | | | | |
| USY2007-0360 | 2007/03/27 | 2007/03/28 | 2007/03/28 | | 4 PLACES ± --- | ± --- | DRAWN BY | DATE | TITLE | | | | |
| DRWN: SNAVARRO | | | | | 3 PLACES ± --- | ± .01 | JERWIN | 2005/11/21 | IPASS CABLE ASSY | | | | |
| CHKD: PSYTSWA | | | | | 2 PLACES ± 0.25 | ± --- | CHECKED BY | DATE | 36 CKT TO SATA | | | | |
| APPR: DDOYE | | | | | 1 PLACE ± --- | ± --- | THALL | 2005/11/21 | FANOUT CABLE | | | | |
| | | | | | ANGULAR ± 1 ° | | APPROVED BY | DATE | MOLEX INCORPORATED | | | | |
| | | | | | | | DDOYE | 2005/11/21 | | | | | |
| | | | | | DRAFT WHERE APPLICABLE MUST REMAIN WITHIN DIMENSIONS | | MATERIAL NO. | DOCUMENT NO. | SHEET NO. | | | | |
| | | | | | | | SEE CHART | SD-79576-300 | 1 OF 3 | | | | |
| | | | | | | | SIZE | THIS DRAWING CONTAINS INFORMATION THAT IS PROPRIETARY TO MOLEX INCORPORATED AND SHOULD NOT BE USED WITHOUT WRITTEN PERMISSION | | | | | |
| | | | | | | | B | | | | | | |

IPASS™ IS A TRADEMARK OF MOLEX

9

8

7

6

5

4

3

2

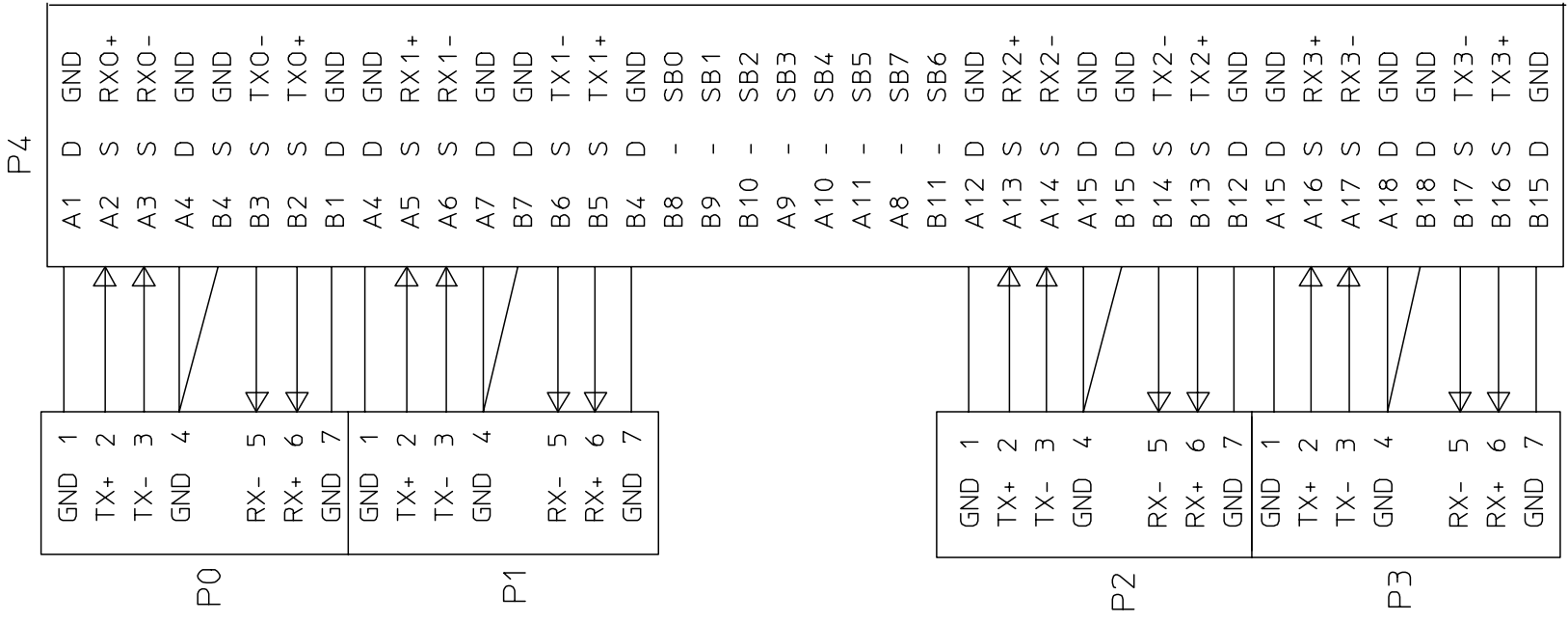
1

6 5 4 3 2 1

NOTE:

1. PIN OUT CONFORMS TO SAS 1.1 09D SECTION 5.2.3.2.3.3 FIG 83 AND SECTION 5.2.3.2.3.3 TBL 27
2. ALL SIGNAL GROUNDS ARE BUSSED IN PCB

PIN OUT 1



IPASS™ IS A TRADEMARK OF MOLEX.

NOTE:

- 1) D = DRAIN WIRE
- S = SIGNAL WIRE

| | |
|--|-------------|
| ENTER DESCRIPTION EC NO: USY2007-0360 DRWN: SNAVARRO 2007/03/27 CHKD: PSYTSMA 2007/03/28 APPR: DDOYE 2007/03/28 | |
| REV | DESCRIPTION |
| | |

| | |
|-----------------|------------|
| QUALITY SYMBOLS | ▽=0 ▽=0 |
|-----------------|------------|

| | |
|--|--------------|
| GENERAL TOLERANCES (UNLESS SPECIFIED) | |
| | mm INCH |
| 4 PLACES | ± --- ± --- |
| 3 PLACES | ± --- ± .01 |
| 2 PLACES | ± 0.25 ± --- |
| 1 PLACE | ± --- ± --- |
| ANGULAR ± 1 ° | |
| DRAFT WHERE APPLICABLE MUST REMAIN WITHIN DIMENSIONS | |

| | |
|-----------------|------------|
| DIMENSION STYLE | |
| MM/IN | |
| DRAWN BY | DATE |
| JERWIN | 2005/11/21 |
| CHECKED BY | DATE |
| THALL | 2005/11/21 |
| APPROVED BY | DATE |
| DDOYE | 2005/11/21 |
| MATERIAL NO. | SEE CHART |
| SIZE | A |

| | | |
|---|--------------|------------------------|
| SCALE | DESIGN UNITS | THIRD ANGLE PROJECTION |
| 1:1 | METRIC | |
| TITLE | | |
| IPASS CABLE ASSY | | |
| 36 CKT TO SATA | | |
| FANOUT CABLE | | |
| MOLEX INCORPORATED | | |
| DOCUMENT NO. | SHEET NO. | |
| SD-79576-300 | 2 OF 3 | |
| THIS DRAWING CONTAINS INFORMATION THAT IS PROPRIETARY TO MOLEX INCORPORATED AND SHOULD NOT BE USED WITHOUT WRITTEN PERMISSION | | |

6

5

4

3

2

1

NOTE:

- 1. NON-STANDARD PIN OUT WITH SATA BACKPLANE CONNECTORS TWISTED
- 2. ALL SIGNAL GROUNDS ARE BUSSED IN PCB.

D

D

C

C

B

B

A

A

PIN OUT 2

P4

| | | | | | | | | | | | | | | | | | | | | | | | | | | | | | | | | | | | | | | | | | | | |
|-----|------|------|-----|-----|------|------|-----|-----|------|------|-----|-----|------|------|-----|-----|-----|-----|-----|-----|-----|-----|-----|-----|------|------|-----|-----|------|------|-----|-----|------|------|-----|-----|------|------|-----|-----|---|---|---|
| A1 | A2 | A3 | A4 | B4 | B3 | B2 | B1 | A4 | A5 | A6 | A7 | B7 | B6 | B5 | B4 | B8 | B9 | B10 | A9 | A10 | A11 | A8 | B11 | A12 | A13 | A14 | A15 | B15 | B14 | B13 | B12 | A15 | A16 | A17 | A18 | B18 | B17 | B16 | B15 | | | | |
| D | S | S | D | S | S | S | D | D | S | S | D | D | S | S | D | - | - | - | - | - | - | - | - | D | S | S | D | D | S | S | D | D | S | S | D | D | S | S | D | D | S | S | D |
| GND | RX0+ | RX0- | GND | GND | TX0- | TX0+ | GND | GND | RX1+ | RX1- | GND | GND | TX1- | TX1+ | GND | SB0 | SB1 | SB2 | SB3 | SB4 | SB5 | SB7 | SB6 | GND | RX2+ | RX2- | GND | GND | TX2- | TX2+ | GND | GND | RX3+ | RX3- | GND | GND | TX3- | TX3+ | GND | GND | | | |

| | | | | | | | | | | | | | |
|-----|-----|-----|-----|-----|-----|-----|-----|-----|-----|-----|-----|-----|-----|
| GND | TX+ | TX- | GND | RX- | RX+ | GND | GND | TX+ | TX- | GND | RX- | RX+ | GND |
| 7 | 6 | 5 | 4 | 3 | 2 | 1 | 7 | 6 | 5 | 4 | 3 | 2 | 1 |

P0

P1

| | | | | | | | | | | | | | |
|-----|-----|-----|-----|-----|-----|-----|-----|-----|-----|-----|-----|-----|-----|
| GND | TX+ | TX- | GND | RX- | RX+ | GND | GND | TX+ | TX- | GND | RX- | RX+ | GND |
| 7 | 6 | 5 | 4 | 3 | 2 | 1 | 7 | 6 | 5 | 4 | 3 | 2 | 1 |

P2

P3

IPASS™ IS A TRADEMARK OF MOLEX.

NOTE:

- 1) D = DRAIN WIRE
- S = SIGNAL WIRE

| | |
|---------------------------|-----------------|
| ENTER DESCRIPTION | QUALITY SYMBOLS |
| EC NO: USY2007-0360 | ▽=0 |
| DRWN: SNAVARRO 2007/03/27 | ▽=0 |
| CHKD: PSYTSMA 2007/03/28 | |
| APPR: DDOYE 2007/03/28 | |
| REV | DESCRIPTION |

| | | |
|--|-------------------|------|
| GENERAL TOLERANCES (UNLESS SPECIFIED) 4 PLACES ± --- ± --- 3 PLACES ± --- ± .01 2 PLACES ± 0.25 ± --- 1 PLACE ± --- ± --- ANGULAR ± 1 ° DRAFT WHERE APPLICABLE MUST REMAIN WITHIN DIMENSIONS | DIMENSION STYLE | |
| | mm | INCH |
| | DRAWN BY DATE | |
| | JERWIN 2005/11/21 | |
| | CHECKED BY DATE | |
| THALL 2005/11/21 | | |
| APPROVED BY DATE | | |
| DDOYE 2005/11/21 | | |
| MATERIAL NO. | | |
| SEE CHART | | |

| | | |
|---|--------------|------------------------|
| SCALE | DESIGN UNITS | THIRD ANGLE PROJECTION |
| 1:1 | METRIC | |
| TITLE | | |
| IPASS CABLE ASSY 36 CKT TO SATA FANOUT CABLE | | |
| MOLEX INCORPORATED | | |
| DOCUMENT NO. | | SHEET NO. |
| SD-79576-300 | | 3 OF 3 |
| THIS DRAWING CONTAINS INFORMATION THAT IS PROPRIETARY TO MOLEX INCORPORATED AND SHOULD NOT BE USED WITHOUT WRITTEN PERMISSION | | |

5

4

3

2

1