



Chipsmall Limited consists of a professional team with an average of over 10 year of expertise in the distribution of electronic components. Based in Hongkong, we have already established firm and mutual-benefit business relationships with customers from,Europe,America and south Asia,supplying obsolete and hard-to-find components to meet their specific needs.

With the principle of “Quality Parts,Customers Priority,Honest Operation,and Considerate Service”,our business mainly focus on the distribution of electronic components. Line cards we deal with include Microchip,ALPS,ROHM,Xilinx,Pulse,ON,Everlight and Freescale. Main products comprise IC,Modules,Potentiometer,IC Socket,Relay,Connector.Our parts cover such applications as commercial,industrial, and automotives areas.

We are looking forward to setting up business relationship with you and hope to provide you with the best service and solution. Let us make a better world for our industry!



Contact us

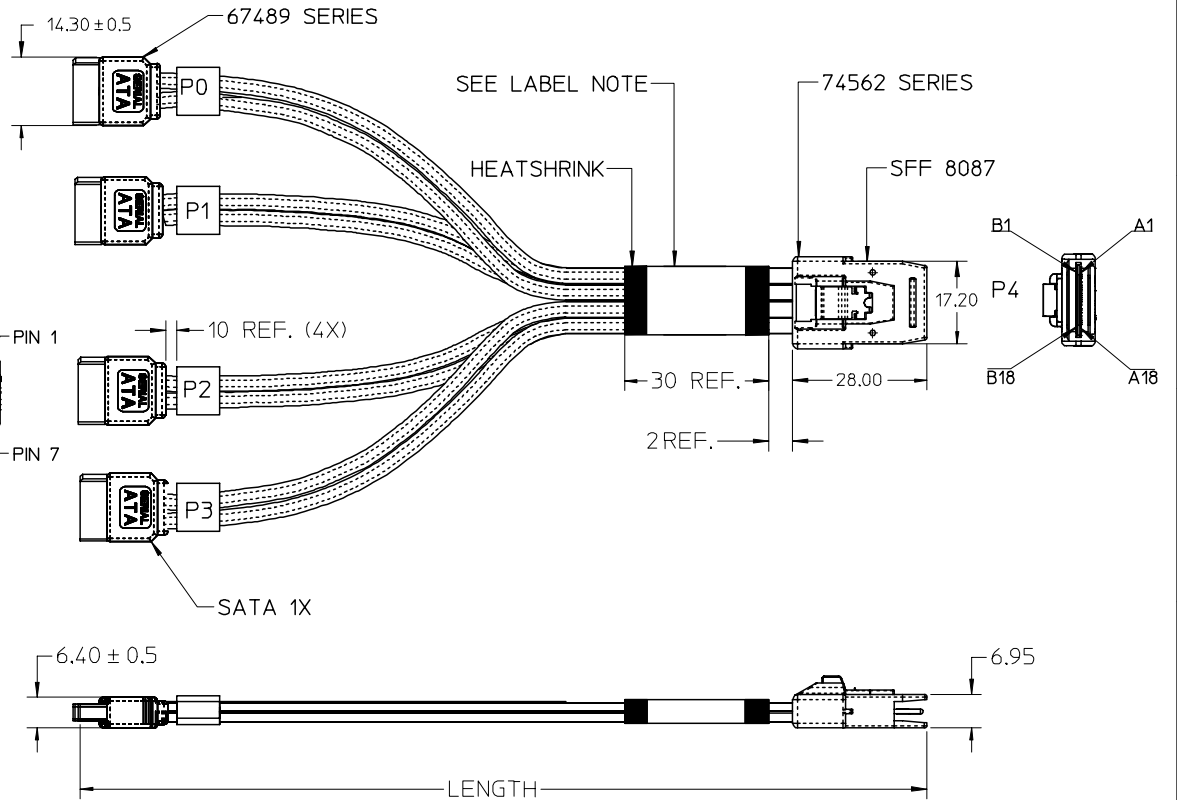
Tel: +86-755-8981 8866 Fax: +86-755-8427 6832

Email & Skype: info@chipsmall.com Web: www.chipsmall.com

Address: A1208, Overseas Decoration Building, #122 Zhenhua RD., Futian, Shenzhen, China



MATERIAL #	APPLICATION	AWG	LENGTH(M)	TOL(+/-)	PIN OUT
79576-3000	IPASS ON BP	30	0.152	0.015	PIN OUT 1
79576-3001	IPASS ON BP	30	0.3	0.015	PIN OUT 1
79576-3002	IPASS ON BP	30	0.5	0.015	PIN OUT 1
79576-3006	IPASS ON BP	30	0.6	0.015	PIN OUT 1
79576-3007	IPASS ON BP	28	1	0.030	PIN OUT 1
79576-3008	IPASS ON CTRL	30	0.152	0.015	PIN OUT 2
79576-3009	IPASS ON CTRL	30	0.3	0.015	PIN OUT 2
79576-3003	IPASS ON CTRL	30	0.5	0.015	PIN OUT 2
79576-3004	IPASS ON CTRL	30	0.6	0.015	PIN OUT 2
79576-3005	IPASS ON CTRL	28	1	0.030	PIN OUT 2
79576-3010	IPASS ON CTRL	28	0.178	0.015	PIN OUT 2
79576-3011	IPASS ON CTRL	28	0.267	0.015	PIN OUT 2
79576-3012	IPASS ON BP	30	0.2	0.015	PIN OUT 1



- NOTES:
- MATERIAL:
 - OVER MOLD - POLYBUTYLENE TEREPHTHALATE (PBT), 94-V0, GLASS FILLED 30%.
 - LATCH - STAINLESS STEEL ALLOY.
 - CABLE -
 - SIGNALS PVC INSULATION
 - SOLID COPPER SIGNAL AND DRAIN.
 - INNER DIELECTRIC IS POLYOLEFIN
 - TWIN-AX SHIELD IS ALUMINIZED POLYESTER FOIL.
 - PCB - FR4
 - PRODUCT TO PERFORM PER PRODUCT SPECIFICATION: PS-79536-001.
 - PRODUCT SERIES 74562 MATES TO 75783 (RIGHT ANGLE), 75784 (VERTICAL).
 - THIS PRODUCT CONFORMS TO THE MECHANICAL DIMENSIONING AND ELECTRICAL PERFORMANCE REQUIREMENTS OF SFF-8086 AND SFF-8087.
 - MINIMUM RECOMMENDED BEND RADIUS 28 MM.
 - PIN OUT CONFORMS TO SAS 1.1 9.00 SECTION 5.2.4.1.3.3 F83
 - PRODUCT IS RoHS COMPLIANT.
 - TABLE DETAIL:
 - MOLEX
 - 79576-30XX
 - MADE IN CHINA
 - YY/WW

IPASS™ IS A TRADEMARK OF MOLEX

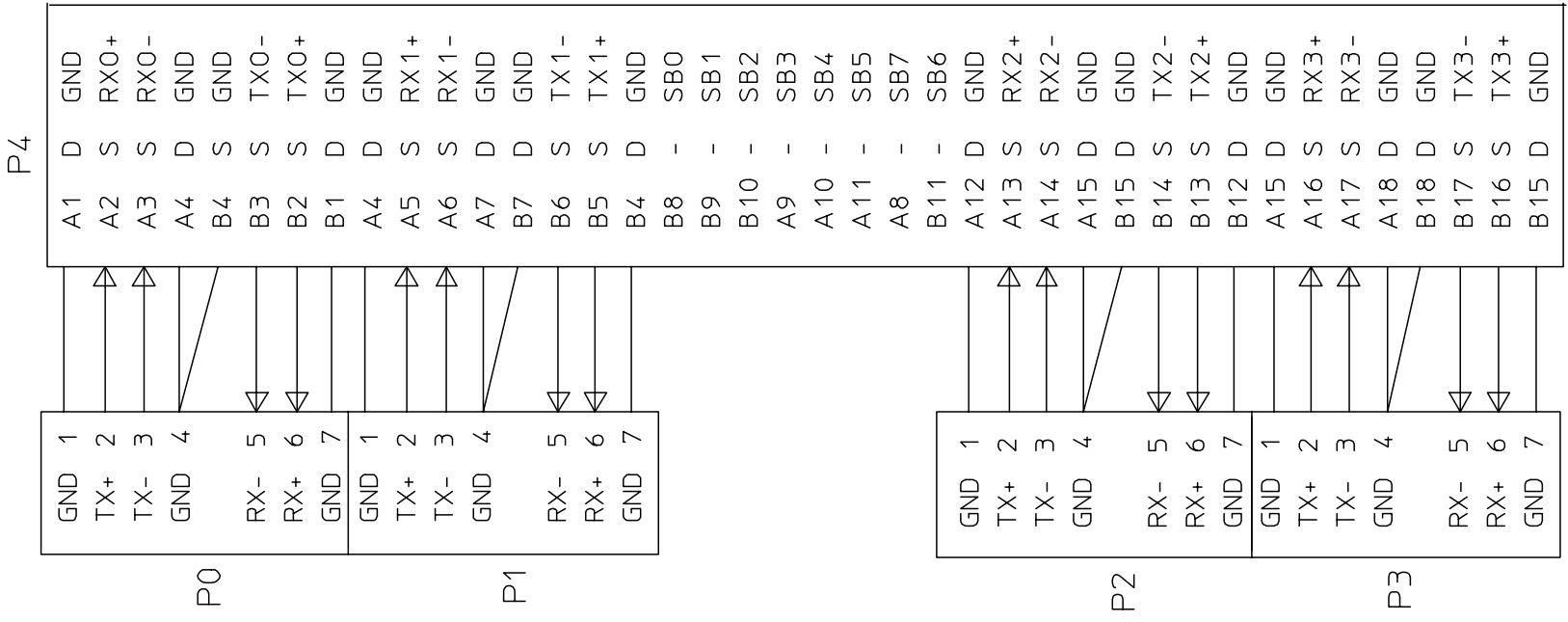
ENTER DESCRIPTION EC NO: USY2007-0360 DRWN: SNAVARRO 2007/03/27 CHKD: PSYTSWA 2007/03/28 APPR: DDOYE 2007/03/28 DESCRIPTION REV	QUALITY SYMBOLS ▽=0 ▽=0	GENERAL TOLERANCES (UNLESS SPECIFIED) <table border="1"> <thead> <tr> <th></th> <th>mm</th> <th>INCH</th> </tr> </thead> <tbody> <tr><td>4 PLACES</td><td>± ---</td><td>± ---</td></tr> <tr><td>3 PLACES</td><td>± ---</td><td>± .01</td></tr> <tr><td>2 PLACES</td><td>± 0.25</td><td>± ---</td></tr> <tr><td>1 PLACE</td><td>± ---</td><td>± ---</td></tr> </tbody> </table> ANGULAR ± 1 °		mm	INCH	4 PLACES	± ---	± ---	3 PLACES	± ---	± .01	2 PLACES	± 0.25	± ---	1 PLACE	± ---	± ---	DIMENSION STYLE MM/IN DRAWN BY: JERWIN DATE: 2005/11/21 CHECKED BY: THALL DATE: 2005/11/21 APPROVED BY: DDOYE DATE: 2005/11/21	SCALE 1:1 DESIGN UNITS METRIC THIRD ANGLE PROJECTION	TITLE IPASS CABLE ASSY 36 CKT TO SATA FANOUT CABLE
		mm	INCH																	
	4 PLACES	± ---	± ---																	
	3 PLACES	± ---	± .01																	
2 PLACES	± 0.25	± ---																		
1 PLACE	± ---	± ---																		
DRAFT WHERE APPLICABLE MUST REMAIN WITHIN DIMENSIONS	MATERIAL NO. SEE CHART	DOCUMENT NO. SD-79576-300	SHEET NO. 1 OF 3																	
SIZE B	THIS DRAWING CONTAINS INFORMATION THAT IS PROPRIETARY TO MOLEX INCORPORATED AND SHOULD NOT BE USED WITHOUT WRITTEN PERMISSION																			

6 5 4 3 2 1

NOTE:

1. PIN OUT CONFORMS TO SAS 1.1 09D SECTION 5.2.3.2.3.3 FIG 83 AND SECTION 5.2.3.2.3.3 TBL 27
2. ALL SIGNAL GROUNDS ARE BUSSED IN PCB

PIN OUT 1



IPASS™ IS A TRADEMARK OF MOLEX.

NOTE:

- 1) D = DRAIN WIRE
- S = SIGNAL WIRE

ENTER DESCRIPTION EC NO: USY2007-0360 DRWN: SNAVARRO 2007/03/27 CHKD: PSYTSMA 2007/03/28 APPR: DDOYE 2007/03/28	
REV	DESCRIPTION

QUALITY SYMBOLS	= 0.1 = 0.25
-----------------	-----------------

GENERAL TOLERANCES (UNLESS SPECIFIED)																
	<table border="1"> <tr> <th></th> <th>mm</th> <th>INCH</th> </tr> <tr> <td>4 PLACES</td> <td>± ---</td> <td>± ---</td> </tr> <tr> <td>3 PLACES</td> <td>± ---</td> <td>± .01</td> </tr> <tr> <td>2 PLACES</td> <td>± 0.25</td> <td>± ---</td> </tr> <tr> <td>1 PLACE</td> <td>± ---</td> <td>± ---</td> </tr> </table>		mm	INCH	4 PLACES	± ---	± ---	3 PLACES	± ---	± .01	2 PLACES	± 0.25	± ---	1 PLACE	± ---	± ---
	mm	INCH														
4 PLACES	± ---	± ---														
3 PLACES	± ---	± .01														
2 PLACES	± 0.25	± ---														
1 PLACE	± ---	± ---														
ANGULAR ± 1 °																
DRAFT WHERE APPLICABLE MUST REMAIN WITHIN DIMENSIONS																

DIMENSION STYLE		SCALE	DESIGN UNITS	THIRD ANGLE PROJECTION
MM/IN		1:1	METRIC	
DRAWN BY	DATE	TITLE		
JERWIN	2005/11/21	IPASS CABLE ASSY		
CHECKED BY	DATE	36 CKT TO SATA		
THALL	2005/11/21	FANOUT CABLE		
APPROVED BY	DATE	MOLEX INCORPORATED		
DDOYE	2005/11/21	DOCUMENT NO.		
MATERIAL NO.		SD-79576-300		SHEET NO.
SEE CHART				2 OF 3
SIZE	THIS DRAWING CONTAINS INFORMATION THAT IS PROPRIETARY TO MOLEX INCORPORATED AND SHOULD NOT BE USED WITHOUT WRITTEN PERMISSION			
A				

6

5

4

3

2

1

NOTE:

- 1. NON-STANDARD PIN OUT WITH SATA BACKPLANE CONNECTORS TWISTED
- 2. ALL SIGNAL GROUNDS ARE BUSSED IN PCB.

D

D

C

C

B

B

A

A

PIN OUT 2

P4

A1	A2	A3	A4	B4	B3	B2	B1	A4	A5	A6	A7	B7	B6	B5	B4	B8	B9	B10	A9	A10	A11	A8	B11	A12	A13	A14	A15	B15	B14	B13	B12	A15	A16	A17	A18	B18	B17	B16	B15				
D	S	S	D	S	S	S	D	D	S	S	D	D	S	S	D	-	-	-	-	-	-	-	-	D	S	S	D	D	S	S	D	D	S	S	D	D	S	S	D	D	S	S	D
GND	RX0+	RX0-	GND	GND	TX0-	TX0+	GND	GND	RX1+	RX1-	GND	GND	TX1-	TX1+	GND	SB0	SB1	SB2	SB3	SB4	SB5	SB7	SB6	GND	RX2+	RX2-	GND	GND	TX2-	TX2+	GND	GND	RX3+	RX3-	GND	GND	TX3-	TX3+	GND	GND			

GND	TX+	TX-	GND	RX-	RX+	GND	GND	TX+	TX-	GND	RX-	RX+	GND
7	6	5	4	3	2	1	7	6	5	4	3	2	1
P0	P0						P1						

GND	TX+	TX-	GND	RX-	RX+	GND	GND	TX+	TX-	GND	RX-	RX+	GND
7	6	5	4	3	2	1	7	6	5	4	3	2	1
P2	P2						P3						

IPASS™ IS A TRADEMARK OF MOLEX.

NOTE:

- 1) D = DRAIN WIRE
- S = SIGNAL WIRE

ENTER DESCRIPTION	QUALITY SYMBOLS
EC NO: USY2007-0360	▽=0
DRWN: SNAVARRO 2007/03/27	▽=0
CHKD: PSYTSMA 2007/03/28	
APPR: DDOYE 2007/03/28	
REV	DESCRIPTION

GENERAL TOLERANCES (UNLESS SPECIFIED) 4 PLACES ± --- ± --- 3 PLACES ± --- ± .01 2 PLACES ± 0.25 ± --- 1 PLACE ± --- ± --- ANGULAR ± 1 ° DRAFT WHERE APPLICABLE MUST REMAIN WITHIN DIMENSIONS	DIMENSION STYLE	
	mm	INCH
	DRAWN BY DATE	
	JERWIN 2005/11/21	
	CHECKED BY DATE	
THALL 2005/11/21		
APPROVED BY DATE		
DDOYE 2005/11/21		
MATERIAL NO.		
SEE CHART		

SCALE	DESIGN UNITS	THIRD ANGLE PROJECTION
1:1	METRIC	
TITLE		
IPASS CABLE ASSY 36 CKT TO SATA FANOUT CABLE		
MOLEX INCORPORATED		
DOCUMENT NO.		SHEET NO.
SD-79576-300		3 OF 3
THIS DRAWING CONTAINS INFORMATION THAT IS PROPRIETARY TO MOLEX INCORPORATED AND SHOULD NOT BE USED WITHOUT WRITTEN PERMISSION		

5

4

3

2

1