



Chipsmall Limited consists of a professional team with an average of over 10 year of expertise in the distribution of electronic components. Based in Hongkong, we have already established firm and mutual-benefit business relationships with customers from,Europe,America and south Asia,supplying obsolete and hard-to-find components to meet their specific needs.

With the principle of “Quality Parts,Customers Priority,Honest Operation,and Considerate Service”,our business mainly focus on the distribution of electronic components. Line cards we deal with include Microchip,ALPS,ROHM,Xilinx,Pulse,ON,Everlight and Freescale. Main products comprise IC,Modules,Potentiometer,IC Socket,Relay,Connector.Our parts cover such applications as commercial,industrial, and automotives areas.

We are looking forward to setting up business relationship with you and hope to provide you with the best service and solution. Let us make a better world for our industry!



Contact us

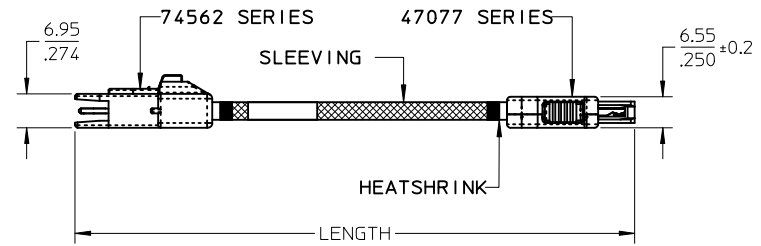
Tel: +86-755-8981 8866 Fax: +86-755-8427 6832

Email & Skype: info@chipsmall.com Web: www.chipsmall.com

Address: A1208, Overseas Decoration Building, #122 Zhenhua RD., Futian, Shenzhen, China

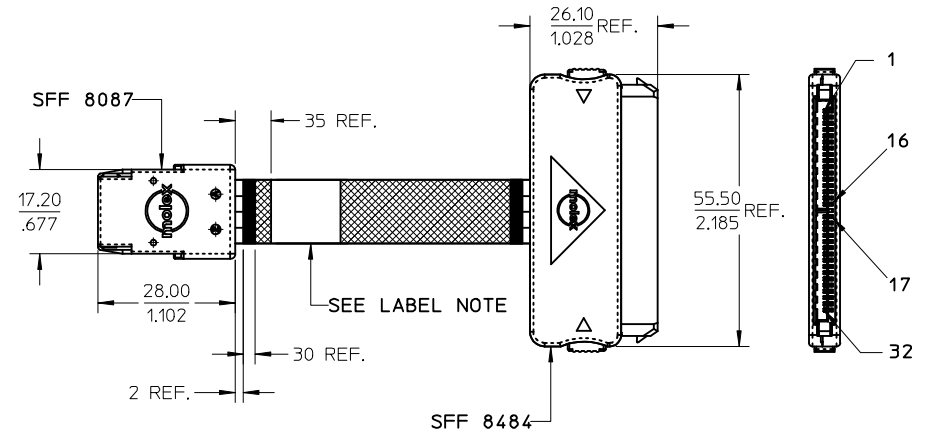
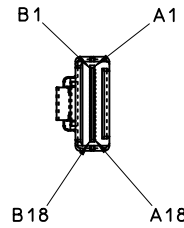


MOLEX P/N	APPLICATION	AWG	LENGTH(M)	TOL (+/-)	PINOUT
795765000	IPASS ON BP	30	0.152	0.015	PINOUT 1
795765001	IPASS ON BP	30	0.3	0.015	
795765002	IPASS ON BP	30	0.5	0.015	
795765003	IPASS ON BP	30	0.6	0.015	
795765004	IPASS ON BP	28	1	0.030	PINOUT 2
795769000	IPASS ON CTRL	30	0.152	0.015	
795769001	IPASS ON CTRL	30	0.3	0.015	
795769002	IPASS ON CTRL	30	0.5	0.015	
795769003	IPASS ON CTRL	30	0.6	0.015	PINOUT 3
795769004	IPASS ON CTRL	28	1	0.030	
795765020	NO SIDE BANDS	30	0.152	0.015	
795765021	NO SIDE BANDS	30	0.3	0.015	
795765022	NO SIDE BANDS	30	0.5	0.015	PINOUT 3
795765023	NO SIDE BANDS	30	0.6	0.015	
795765024	NO SIDE BANDS	28	1	0.030	



NOTES:

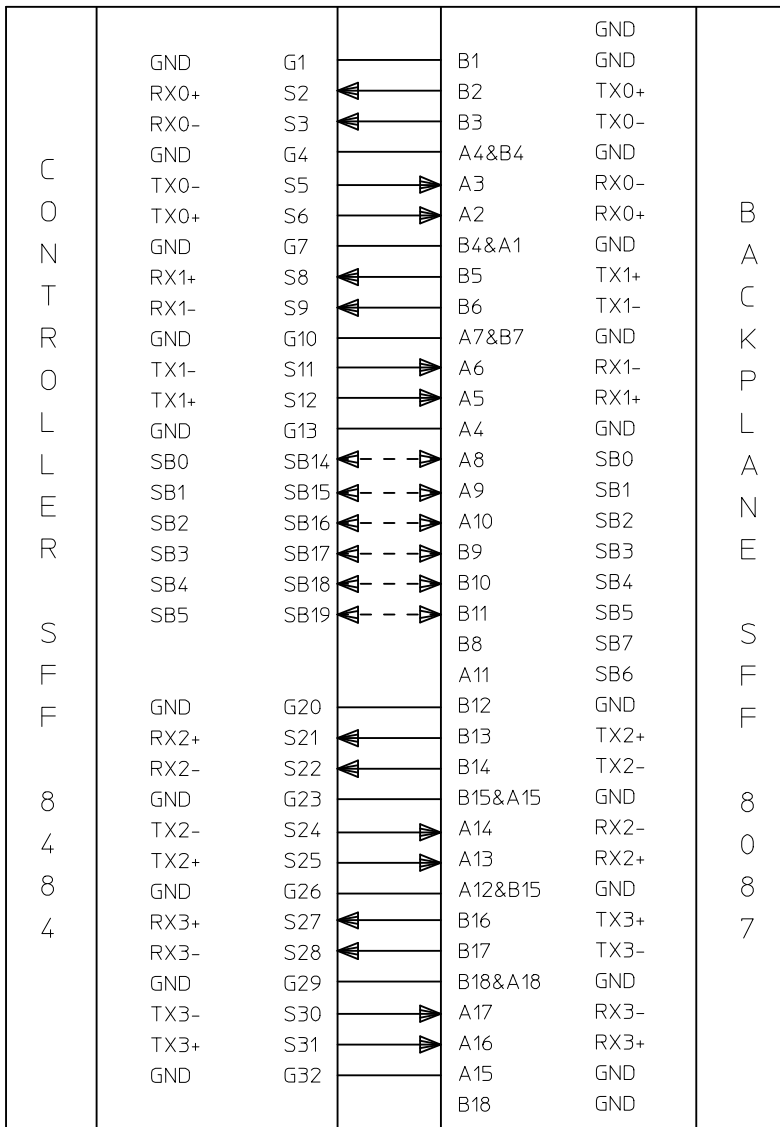
- MATERIAL:
OVER MOLD - POLYBUTYLENE TEREPHTHALATE (PBT). 94-V0.
GLASS FILLED 30%
LATCH - STAINLESS STEEL ALLOY.
CABLE -
SIGNALS PVC INSULATION
SOLID COPPER SIGNAL AND DRAIN
INNER DIELECTRIC IS POLYOLEFIN
TWIN-AX SHIELD IS ALUMINIZED POLYESTER FOIL.
JACKET - PVC RED
PCB - FR4
- PRODUCT TO PERFORM PER
PRODUCT SPECIFICATION: PS-79536-001.
- PRODUCT SERIES 74562 MATES TO 75783 (RIGHT ANGLE),
75794 (VERTICAL) AND 47077 (SFF 8484) SERIES MATES TO
87861 SERIES.
- THIS PRODUCT CONFORMS TO THE MECHANICAL
DIMENSIONING AND ELECTRICAL
PERFORMANCE REQUIREMENTS OF
SFF-8086, SFF-8087 AND SFF-8484.
- MINIMUM RECOMMENDED BEND RADIUS 28 MM.
- PRODUCT IS RoHS COMPLIANT.
- LABEL INFO.
MOLEX
<<PART NUMBER>>
MADE IN CHINA
WW/YY



IPASS™ IS A TRADEMARK OF MOLEX

REMOVED P/N EC NO: USY2009-0590 DRWN: JERWIN 2009/06/29 CHKD: BSCHOESTER 2009/07/06 APPR: DDOYE 2009/07/06	DESCRIPTION	QUALITY SYMBOLS	GENERAL TOLERANCES (UNLESS SPECIFIED)	DIMENSION STYLE	SCALE	DESIGN UNITS	THIRD ANGLE PROJECTION	
		▽=0 ∇=0	mm INCH	MM/IN	1:1	METRIC	⊙ □	
			4 PLACES ± --- ± ---	DRAWN BY DATE	TITLE	IPASS (MINI-SAS) INTERNAL CABLE ASSEMBLY 36 CIRCUIT, 4X TO 8484		
			3 PLACES ± --- ± .01	JERWIN 2005/11/22				
		2 PLACES ± 0.25 ± ---	CHECKED BY DATE	MOLEX MOLEX INCORPORATED				
		1 PLACE ± --- ± ---	THALL 2006/05/19					
		ANGULAR ± 1°	APPROVED BY DATE	MATERIAL NO.	DOCUMENT NO.	SHEET NO.		
			DDOYE 2006/05/19	SEE CHART	SD-79576-500	1 OF 4		
			DRAFT WHERE APPLICABLE MUST REMAIN WITHIN DIMENSIONS	SIZE B	THIS DRAWING CONTAINS INFORMATION THAT IS PROPRIETARY TO MOLEX INCORPORATED AND SHOULD NOT BE USED WITHOUT WRITTEN PERMISSION			

PINOUT 1



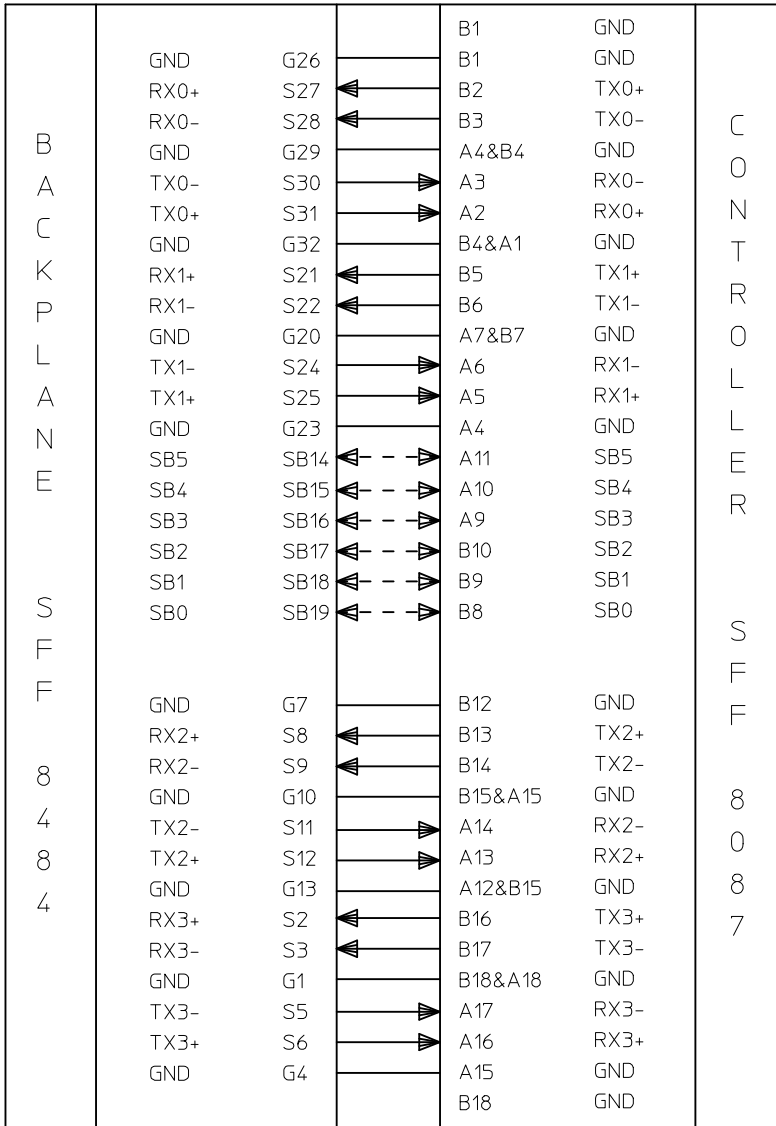
NOTE:

- PINOUT IS COMPLIANT TO SAS 1.1 09D 5.2.4.1.2.4 FIG 79 AND SECTION 5.2.3.2.3.3 TBL 27 AND SECTION 5.2.3.2.2.3 TBL 24
- ALL SIGNAL GROUNDS ARE BUSSED IN PCB.

IPASS™ IS A TRADEMARK OF MOLEX

REMOVED P/N EC NO: USY2009-0590 DRWN: JERWIN 2009/06/29 CHKD: BSCHOSTER 2009/07/06 APPR: DDOYE 2009/07/06	DESCRIPTION	QUALITY SYMBOLS	GENERAL TOLERANCES (UNLESS SPECIFIED)		DIMENSION STYLE	SCALE	DESIGN UNITS	THIRD ANGLE PROJECTION	
		▼=0	mm	INCH	MM/IN	1:1	METRIC	☉	
		▽=0	4 PLACES ± ---	± ---		DRAWN BY	DATE	TITLE IPASS™ (MINI-SAS) INTERNAL CABLE ASSEMBLY 36 CIRCUIT, 4X TO 8484	
			3 PLACES ± ---	± .01		JERWIN	2005/11/22		
			2 PLACES ± 0.25	± ---		CHECKED BY	DATE	MOLEX INCORPORATED	
	1 PLACE ± ---	± ---		THALL	2006/05/19				
		ANGULAR ± 1 °	DRAFT WHERE APPLICABLE MUST REMAIN WITHIN DIMENSIONS		APPROVED BY	DATE	MATERIAL NO.	DOCUMENT NO.	SHEET NO.
					DDOYE	2006/05/19	SEE CHART	SD-79576-500	2 OF 4
					SIZE	THIS DRAWING CONTAINS INFORMATION THAT IS PROPRIETARY TO MOLEX INCORPORATED AND SHOULD NOT BE USED WITHOUT WRITTEN PERMISSION			
					A				

PINOUT 2



NOTE:

- PINOUT IS COMPLIANT TO SAS 1.1 09D 5.2.3.2.3.3 TBL 26 AND SECTION 5.2.3.2.2.3 TBL 25
- ALL SIGNAL GROUNDS ARE BUSSED IN PCB.

C
O
N
T
R
O
L
L
E
R

S
F
F

8
0
8
7

REMOVED P/N EC NO: USY2009-0590 DRWN: JERWIN CHKD: BSCHOESTER APPR: DDOYE 2009/07/06 DESCRIPTION	QUALITY SYMBOLS	GENERAL TOLERANCES (UNLESS SPECIFIED)		DIMENSION STYLE	SCALE	DESIGN UNITS	THIRD ANGLE PROJECTION	
	▼=0 ◻=0	mm	INCH	MM/IN	1:1	METRIC		
		4 PLACES ± ---	± ---		DRAWN BY	DATE	TITLE	
		3 PLACES ± ---	± .01		JERWIN	2005/11/22	IPASS (MINI-SAS) INTERNAL CABLE ASSEMBLY 36 CIRCUIT, 4X TO 8484	
		2 PLACES ± 0.25	± ---		CHECKED BY	DATE	MOLEX INCORPORATED	
	1 PLACE ± ---	± ---		THALL	2006/05/19			
		ANGULAR ± 1 °		APPROVED BY	DATE			
		DRAFT WHERE APPLICABLE MUST REMAIN WITHIN DIMENSIONS		DDOYE	2006/05/19			
				MATERIAL NO.	SEE CHART	DOCUMENT NO.	SHEET NO.	
				SIZE	A	SD-79576-500	3 OF 4	
		THIS DRAWING CONTAINS INFORMATION THAT IS PROPRIETARY TO MOLEX INCORPORATED AND SHOULD NOT BE USED WITHOUT WRITTEN PERMISSION						

PINOUT 3

S F F 8 4 8 4	GND	G1		B1	GND	S F F 8 0 8 7
	RX0+	S2		B2	TX0+	
	RX0-	S3		B3	TX0-	
	GND	G4		A4&B4	GND	
	TX0-	S5		A3	RX0-	
	TX0+	S6		A2	RX0+	
	GND	G7		B4&A1	GND	
	RX1+	S8		B5	TX1+	
	RX1-	S9		B6	TX1-	
	GND	G10		A7&B7	GND	
	TX1-	S11		A6	RX1-	
	TX1+	S12		A5	RX1+	
	GND	G13		A4	GND	
	GND	G20		B12	GND	
	RX2+	S21		B13	TX2+	
	RX2-	S22		B14	TX2-	
	GND	G23		B15&A15	GND	
	TX2-	S24		A14	RX2-	
	TX2+	S25		A13	RX2+	
	GND	G26		A12&B15	GND	
	RX3+	S27		B16	TX3+	
	RX3-	S28		B17	TX3-	
	GND	G29		B18&A18	GND	
	TX3-	S30		A17	RX3-	
	TX3+	S31		A16	RX3+	
	GND	G32		A15	GND	
				B18	GND	

NOTE :

- 1) NO SIDEBANDS
- 2) PINOUT IS COMPLIANT TO SAS 1.1 09D
5 . 2 . 4 . 1 . 2 . 4 FIG 79
- 3) ALL SIGNAL GROUNDS ARE BUSSED IN PCB.

REMOVED P/N EC NO: USY2009-0590 DRWN: JERWIN CHKD: BSCHOESTER APPR: DDOYE 2009/07/06 DESCRIPTION	QUALITY SYMBOLS = 0 = 0	GENERAL TOLERANCES (UNLESS SPECIFIED)		DIMENSION STYLE MM/IN		SCALE 1:1	DESIGN UNITS METRIC	THIRD ANGLE PROJECTION			
				mm	INCH	DRAWN BY JERWIN	DATE 2005/11/22	TITLE IPASS (MINI-SAS) INTERNAL CABLE ASSEMBLY 36 CIRCUIT, 4X TO 8484			
		4 PLACES	± ---	± ---		CHECKED BY THALL	DATE 2006/05/19				
		3 PLACES	± ---	± .01		APPROVED BY DDOYE	DATE 2006/05/19	MOLEX INCORPORATED DOCUMENT NO. SD-79576-500 SHEET NO. 4 OF 4			
		2 PLACES	± 0.25	± ---		MATERIAL NO. SEE CHART					
1 PLACE	± ---	± ---									
		ANGULAR ± 1 °									
		DRAFT WHERE APPLICABLE MUST REMAIN WITHIN DIMENSIONS									