



Chipsmall Limited consists of a professional team with an average of over 10 year of expertise in the distribution of electronic components. Based in Hongkong, we have already established firm and mutual-benefit business relationships with customers from,Europe,America and south Asia,supplying obsolete and hard-to-find components to meet their specific needs.

With the principle of “Quality Parts,Customers Priority,Honest Operation,and Considerate Service”,our business mainly focus on the distribution of electronic components. Line cards we deal with include Microchip,ALPS,ROHM,Xilinx,Pulse,ON,Everlight and Freescale. Main products comprise IC,Modules,Potentiometer,IC Socket,Relay,Connector.Our parts cover such applications as commercial,industrial, and automotives areas.

We are looking forward to setting up business relationship with you and hope to provide you with the best service and solution. Let us make a better world for our industry!



## Contact us

Tel: +86-755-8981 8866 Fax: +86-755-8427 6832

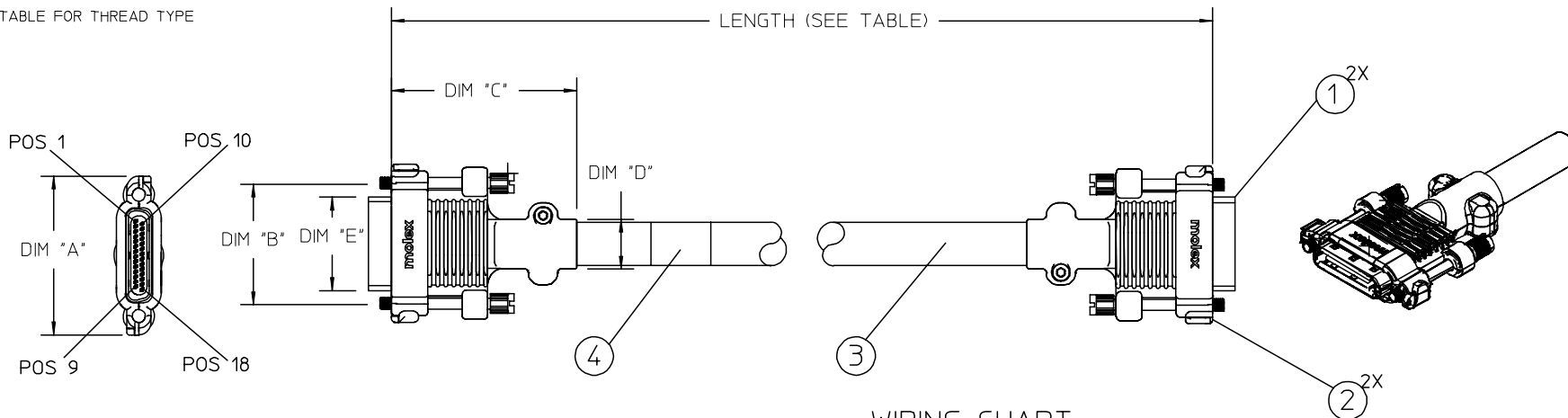
Email & Skype: info@chipsmall.com Web: www.chipsmall.com

Address: A1208, Overseas Decoration Building, #122 Zhenhua RD., Futian, Shenzhen, China



PART NO.	CIRCUIT SIZE	LENGTH	JACK SCREW THREAD TYPE	'A' DIM	'B' DIM	'C' DIM	'D' DIM	'E' DIM
79925-0001	18	1000 +/-50MM	4-40 JACKSCREW P/N	.1319/33.51	.950/24.13	1.835/46.62	.490/12.45	.672/17.07
79925-0002		3000 +/-100MM	(STANDARD)					
79925-0003		1000 +/-50MM	M3 JACKSCREW P/N					
79925-0004		3000 +/-100MM	(SPECIAL)					

SEE TABLE FOR THREAD TYPE



NOTES:

1. PLUG MATERIALS:

SHIELD - DEEP DRAWN STEEL  
 HOUSING - GLASS FILLED POLYMER, BLACK, UL 94V-0  
 CONTACTS - COPPER ALLOY, OVERMOLDED WITH GLASS FILLED POLYMER, BLACK, UL 94V-0

2. BACKSHELLS MATERIALS:

BACKSHELL - ZINC ALLOY DIE CAST, FINISH BLACK POLYURETHANE ENAMEL.  
 (NICKLE PLATED BACK SHELLS AVAILABLE. CONTACT PRODUCT MANAGER FOR INFORMATION)

JACKSCREW - STEEL ALLOY, FINISH BLACK OXIDE.

MOUNTING SCREW - STEEL ALLOY, FINISH BLACK ZINC PLATING.

3. ELECTRICAL SPECIFICATIONS:

100 OHMS DIFFERENTIAL IMPEDANCE  
 HIGH SPEED DIFFERENTIAL PAIRS  
 INDIVIDUAL PAIR AND OVERALL SHIELDS TO MINIMIZE CROSSTALK AND RADIATED EMISSIONS

4. APPLY LABEL WITH FOLLOWING INFORMATION:

P/N (SEE TABLE)  
 REV (SEE REVISION TABLE)  
 M/D WW/YY  
 ASSEMBLED IN MEXICO

5. WIRING CHART ACCORDING TO TABLE.

WIRING CHART

1 S	10 G
2 S	11 NC
3 NC	12 S
4 G	13 S
5 NC	14 NC
6 S	15 G
7 S	16 NC
8 NC	17 S
9 G	18 S

ITEM	P/N	DESCRIPTION	QTY
5	0799426019	PLASTIC LABEL EPC#R-TW10F	1 PC
3	0751150018	18 CKT TDP PLUG CABLE KIT (4-40/BLK)	2 PC
2	0750001018	TDP Plug Kit w/trimmed tails 18 Ckt	2 PC
1	799232207	CABLE 4 PARALLEL PAIR TURBO/TWIN, 28AWG	A/R

REV	DESCRIPTION	QUALITY SYMBOLS	GENERAL TOLERANCES (UNLESS SPECIFIED)		SCALE	DESIGN UNITS	THIRD ANGLE PROJECTION	REVISE ON CAD ONLY
			mm	INCH	---	INCH		
A	PRELIMINARY EC NO: MEX2004-0062 DRWN: AOROZCO 2003/12/01 CHKD: GVILLAGR 2003/12/01 APPR: GVILLAGR 2003/12/01		4 PLACES	± --- ± ---	IN/MM	DRAWN BY AOROZCO	DATE 09/15/2003	TITLE TDP 100OHMS DIFFERENTIAL CABLE ASSEMBLY 18CKT 1MT 4-40 JACKSCREW
			3 PLACES	± --- ± ---				
			2 PLACES	± --- ± ---	APPROVED BY ACUEVAS	DATE 09/15/2003	MATERIAL NO. VARIOS	DOCUMENT NO. SD-79925-001
			1 PLACE	± --- ± ---	THIS DRAWING CONTAINS INFORMATION THAT IS PROPRIETARY TO MOLEX INCORPORATED AND SHOULD NOT BE USED WITHOUT WRITTEN PERMISSION			SHEET NO. 1 OF 1
			ANGULAR ±1/2°					
			DRAFT WHERE APPLICABLE MUST REMAIN WITHIN DIMENSIONS					