



Chipsmall Limited consists of a professional team with an average of over 10 year of expertise in the distribution of electronic components. Based in Hongkong, we have already established firm and mutual-benefit business relationships with customers from,Europe,America and south Asia,supplying obsolete and hard-to-find components to meet their specific needs.

With the principle of “Quality Parts,Customers Priority,Honest Operation,and Considerate Service”,our business mainly focus on the distribution of electronic components. Line cards we deal with include Microchip,ALPS,ROHM,Xilinx,Pulse,ON,Everlight and Freescale. Main products comprise IC,Modules,Potentiometer,IC Socket,Relay,Connector.Our parts cover such applications as commercial,industrial, and automotives areas.

We are looking forward to setting up business relationship with you and hope to provide you with the best service and solution. Let us make a better world for our industry!



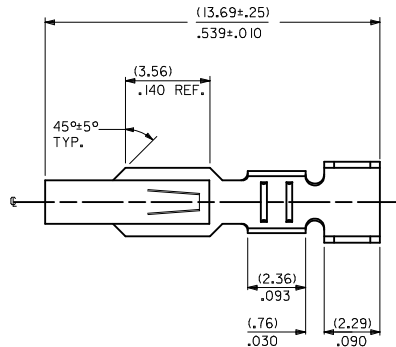
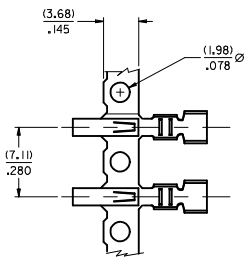
Contact us

Tel: +86-755-8981 8866 Fax: +86-755-8427 6832

Email & Skype: info@chipsmall.com Web: www.chipsmall.com

Address: A1208, Overseas Decoration Building, #122 Zhenhua RD., Futian, Shenzhen, China



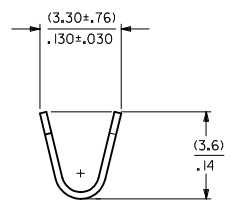
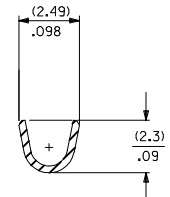
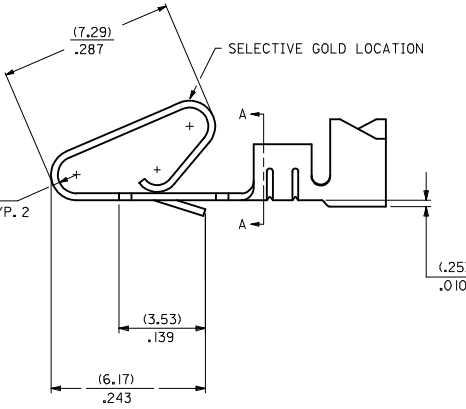
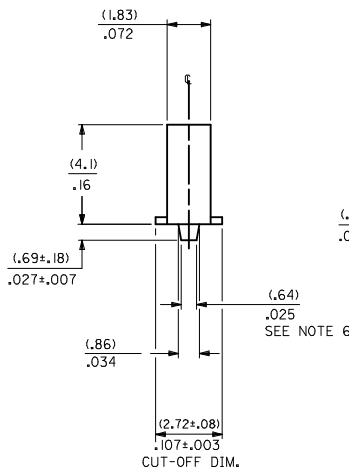


MATERIAL CODE
 (.27)/.0106 THK
 1=BRASS
 3=PHOS BRONZE

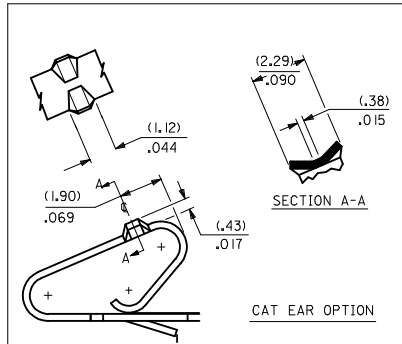
WINDING SPEC.
 A=CHAIN, PER WINDING DETAIL "A"
 BLANK=CHAIN, PER WINDING DETAIL "B"
 L=LOOSE

OPTION CODE
 BLANK=AS SHOWN
 C=CAT EAR OPTION

- FINISH:
- (P909) OVERALL HOT TIN DIP: (0.00254)/.000100 MIN.
 - (122) OVERALL TIN: (0.00381)/.000150 MIN. OVER (0.00076)/.000030 MIN. NICKEL
 - (154) OVERALL TIN: (0.00254)/.000100 MIN. OVER (0.00127)/.000050 MIN. NICKEL
 - (224) OVERALL MATTE TIN: (0.00508)/.000200 MIN. OVER (0.00127)/.000050 MIN. NICKEL
 - (550) SELECT GOLD: (0.00038)/.000015 MIN. OVERALL GOLD FLASH: (0.00005)/.000002 MIN. OVERALL NICKEL UNDERPLATE: (0.00076)/.000030 MIN.
 - (555) SELECT GOLD: (0.00038)/.000015 MIN. OVERALL NICKEL UNDERPLATE: (0.00076)/.000030 MIN.
 - (558) SELECT GOLD: (0.00076)/.000030 MIN. OVERALL GOLD FLASH: (0.00005)/.000002 MIN. OVERALL NICKEL UNDERPLATE: (0.00127)/.000050 MIN.
 - (561) SELECT GOLD: (0.00076)/.000030 MIN. OVERALL NICKEL UNDERPLATE: (0.00127)/.000050 MIN.
 - (591) SELECT GOLD: (0.00127)/.000050 MIN. OVERALL GOLD FLASH: (0.00005)/.000002 MIN. OVERALL NICKEL UNDERPLATE: (0.00127)/.000050 MIN.



- NOTES:
1. MATERIAL: SEE LEGEND
 2. FINISH: SEE LEGEND
 3. THIS PART CONFORMS TO PRODUCT SPECIFICATION PS-08-50.
 4. PACKAGING SPECIFICATION: LOOSE TERMINALS: PER PK-2759-001
CHAIN FORM TERMINALS: NONE
 5. DIMENSIONS GIVEN ACROSS CENTERLINES ARE SYMMETRICAL ABOUT THOSE CENTERLINES WITHIN HALF THE TOTAL TOLERANCE.
 6. (0.86 ±0.05)/.034 ±.002 IS AN OPTIONAL DESIGN.
 7. CRIMP ACCEPTS 18 TO 24 AWG WIRE WITH (2.79)/.110 MAX. INSULATION DIAMETER. AND CAN ACCEPT (3.00)/.118 MAX. INSULATION DIAMETER WITH SPECIAL TOOLING.
 8. TERMINAL FOR USE IN 2139, 3001, 3069, AND 91813 SERIES HOUSINGS WITH (2.54)/.100 MAX. INSULATION DIAMETER, 2574, 6422, AND 5239 SERIES HOUSINGS WITH (2.79)/.110 MAX. INSULATION DIAMETER. AND 41695 SERIES HOUSING WITH (3.00)/.118 MAX. INSULATION DIAMETER.
 9. THIS PART CONFORMS TO CLASS B REQUIREMENTS OF COSMETIC SPECIFICATION PS-45499-002.



ADD WINDING VIEWS
 EC NO. UCP2014-4131
 DRAWN BY: CHYKONGUEN
 CHECKED BY: FSMITH
 DATE: 2014/04/07
 APPROVED BY: FSMITH
 DATE: 2014/04/21

QUALITY SYMBOLS ▽=0	GENERAL TOLERANCES (UNLESS SPECIFIED)		DIMENSION STYLE		SCALE	DESIGN UNITS	THIRD ANGLE PROJECTION
	mm	INCH	MM/IN		10:1	INCH	☉
▽=0	4 PLACES ±	---	---	DRAWN BY	DATE	TITLE	
▽=0	3 PLACES ±	---	±.010	SAMIEC	06/03/86	CRIMP TERMINAL	
▽=0	2 PLACES ±	0.25	±.014	CHECKED BY	DATE	.156 CENTERS	
▽=0	1 PLACE ±	0.36	---	PATEL	06/03/86	18 TO 24 GA WIRE	
▽=0	0 PLACE ±	---	---	APPROVED BY	DATE	molex	
				FSMITH	2012/03/20	SD-2478	
ANGULAR ±1/2°			MATERIAL NO.		DOCUMENT NO.		SHEET NO.
DRAFT WHERE APPLICABLE MUST REMAIN WITHIN DIMENSIONS			SEE CHART		SD-2478		1 OF 2
THIS DRAWING CONTAINS INFORMATION THAT IS PROPRIETARY TO MOLEX INCORPORATED AND SHOULD NOT BE USED WITHOUT WRITTEN PERMISSION							

