



Chipsmall Limited consists of a professional team with an average of over 10 year of expertise in the distribution of electronic components. Based in Hongkong, we have already established firm and mutual-benefit business relationships with customers from,Europe,America and south Asia,supplying obsolete and hard-to-find components to meet their specific needs.

With the principle of “Quality Parts,Customers Priority,Honest Operation,and Considerate Service”,our business mainly focus on the distribution of electronic components. Line cards we deal with include Microchip,ALPS,ROHM,Xilinx,Pulse,ON,Everlight and Freescale. Main products comprise IC,Modules,Potentiometer,IC Socket,Relay,Connector.Our parts cover such applications as commercial,industrial, and automotives areas.

We are looking forward to setting up business relationship with you and hope to provide you with the best service and solution. Let us make a better world for our industry!



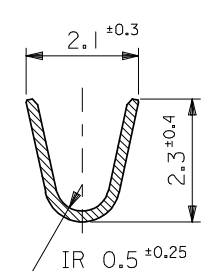
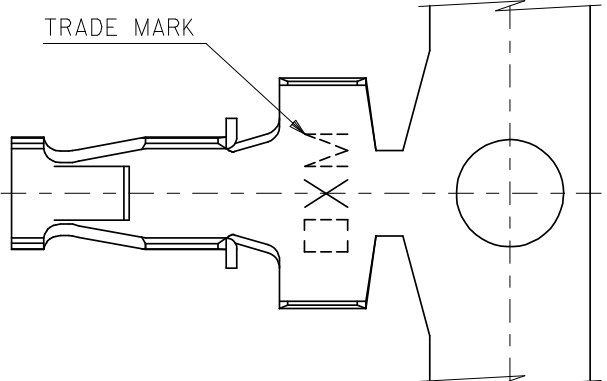
Contact us

Tel: +86-755-8981 8866 Fax: +86-755-8427 6832

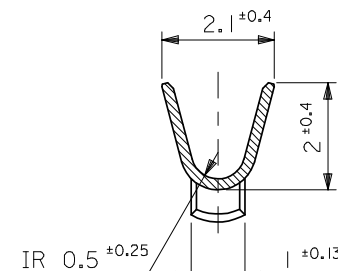
Email & Skype: info@chipsmall.com Web: www.chipsmall.com

Address: A1208, Overseas Decoration Building, #122 Zhenhua RD., Futian, Shenzhen, China

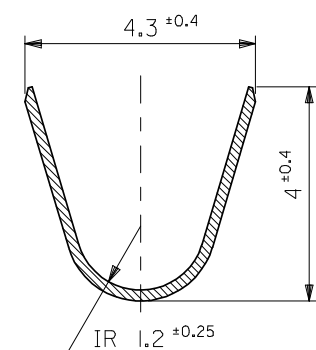




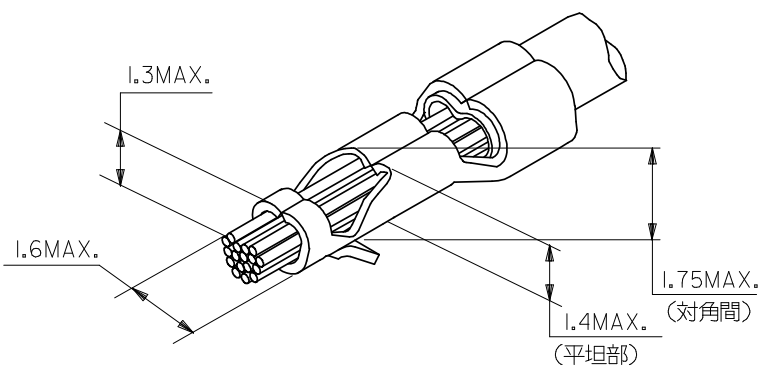
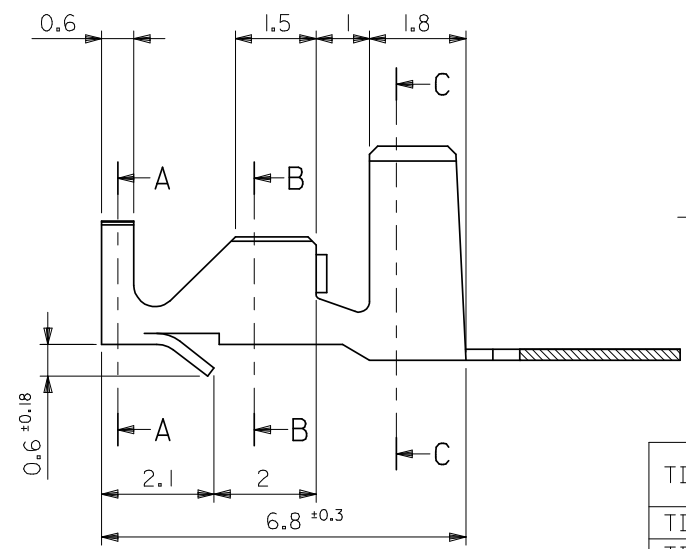
SECT. A-A



SECT. B-B



SECT. C-C



圧着外觀図
OUTSIDE VIEW OF CRIMP

NOTES

- 推奨プリント基板穴径: $\phi 1.8^{+0.1}_0$
RECOMMENDED P.C.B. HOLES: $\phi 1.8^{+0.1}_0$
- 推奨プリント基板厚: $t1.57^{+0.2}$
RECOMMENDED P.C.B. THICKNESS: $1.57^{+0.2}$
- 材料の厚み: 0.203
MATERIAL THICKNESS: 0.203

TIN-LEAD(90-10) 3.8 μm MIN. OVER NICKEL 1.3 μm MIN.	PHOSPHOR BRONZE	CHAIN	39-00-0277	5298PBPT
	BRASS	CHAIN	39-00-0276	5298PT
TIN 0.9 μm MIN. REFLOW TREATMENT (PRE-PLATED)	PHOSPHOR BRONZE	CHAIN	39-00-0230	5298PBT
TIN 0.9 μm MIN. OVER COPPER 0.5 μm MIN. (PRE-PLATED)	BRASS	CHAIN	08-70-0106	5298T
PLATING	MATERIAL	FORM	EDP NO.	ENG. NO.

材料 MATERIAL	SEE TABLE & NOTE
仕上げ FINISH	—
適用電線範囲 WIRE RANGE	AWG #18-22
被覆外径 INS. RANGE	$\phi 1.7-3.05$

REVISED EC NO: J2008-3347 DRAWN: NABEI CHKD: THARUYAMA APPR: NUKITA	GENERAL TOLERANCES (UNLESS SPECIFIED)	10 UNDER	± 0.2
		10 OVER 30 UNDER	± 0.25
		30 OVER	± 0.3
		ANGULAR	$\pm 3^\circ$
	DRAFT WHERE APPLICABLE MUST REMAIN WITHIN DIMENSIONS		

DIMENSION STYLE MM ONLY	
DRAWN BY	DATE
CHECKED BY	DATE
APPROVED BY	DATE
MATERIAL NO.	
SEE TABLE	
SIZE	A3

SCALE 10:1	DESIGN UNITS METRIC	THIRD ANGLE PROJECTION
TITLE LOW PROFILE PC BOARD CRIMP PIN		
MOLEX INCORPORATED		
DOCUMENT NO. SD-5298-001	SHEET NO. 1 OF 1	
THIS DRAWING CONTAINS INFORMATION THAT IS PROPRIETARY TO MOLEX INCORPORATED AND SHOULD NOT BE USED WITHOUT WRITTEN PERMISSION		