



Chipsmall Limited consists of a professional team with an average of over 10 year of expertise in the distribution of electronic components. Based in Hongkong, we have already established firm and mutual-benefit business relationships with customers from,Europe,America and south Asia,supplying obsolete and hard-to-find components to meet their specific needs.

With the principle of “Quality Parts,Customers Priority,Honest Operation,and Considerate Service”,our business mainly focus on the distribution of electronic components. Line cards we deal with include Microchip,ALPS,ROHM,Xilinx,Pulse,ON,Everlight and Freescale. Main products comprise IC,Modules,Potentiometer,IC Socket,Relay,Connector.Our parts cover such applications as commercial,industrial, and automotives areas.

We are looking forward to setting up business relationship with you and hope to provide you with the best service and solution. Let us make a better world for our industry!



## Contact us

Tel: +86-755-8981 8866 Fax: +86-755-8427 6832

Email & Skype: info@chipsmall.com Web: www.chipsmall.com

Address: A1208, Overseas Decoration Building, #122 Zhenhua RD., Futian, Shenzhen, China



## General Specifications

### Motor Protection:

Auto Restart/Polarity Protection

### Insulation Resistance:

10M Ω or over with a DC500V Megger

### Dielectric Withstand Voltage: AC 700V 1s

### Allowable Ambient Temperature Range:

-10°C ~ +70°C (Operating)

-40°C ~ +70°C (Storage)

(non-condensing environment)

## Expected Life

### Failure Rate: 10%

60°C 40,000 Hours (AA/EA)

## Material

Casing : Plastic (Black) UL94V-0

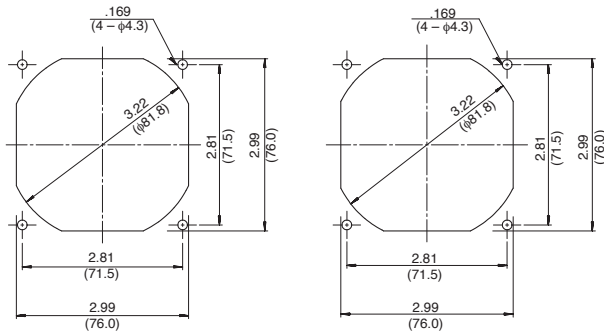
Impeller : Plastic (Black) UL94V-0

Bearing : Ball Bearing

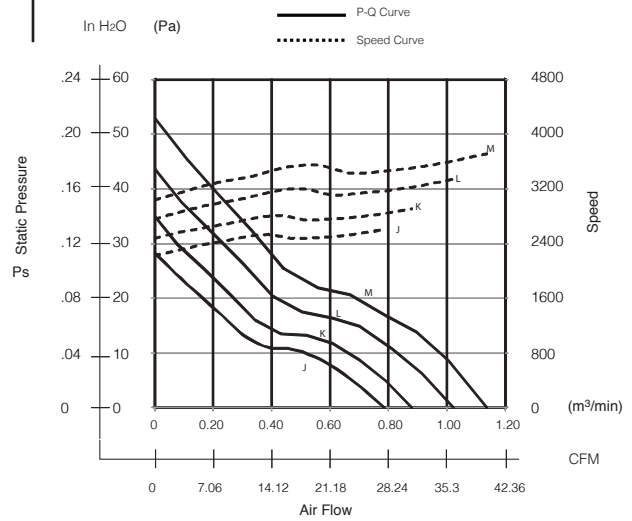
Lead Wire : UL3385, AWG26, +Red, -Black

## Panel Cut-Outs

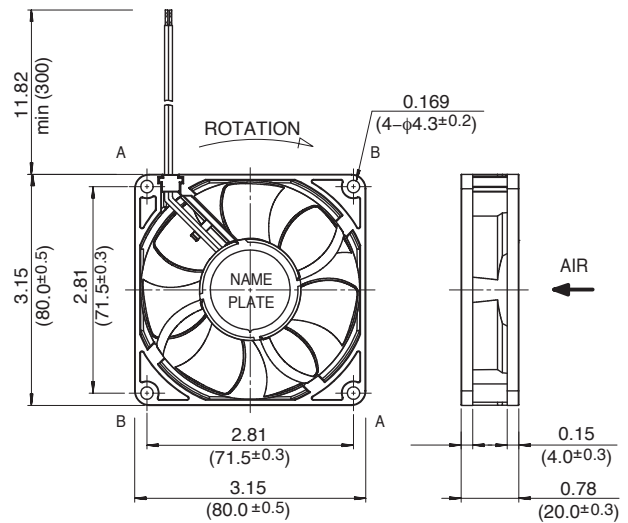
Units:  $\frac{\text{inch}}{\text{mm}}$



## Characteristic Curves



## Outline



## Specifications

MODEL	Rated Voltage	Operating Voltage	Current	Input Power	Speed	Max. Air Flow		Max. Static Pressure		Noise	Mass
	(V)	(V)	(A) <sup>*1</sup>	(W) <sup>*1</sup>	(min <sup>-1</sup> ) <sup>*1</sup>	CFM <sup>*1</sup>	(m <sup>3</sup> /min) <sup>*1</sup>	in H <sub>2</sub> O	(Pa) <sup>*1</sup>	(dB) <sup>*1</sup>	(g)
08020SA-12J-AA-00	12	6.0 ~ 13.8	0.05	0.60	2600	27.5	0.78	0.11	28.3	27.0	80
08020SA-12K-AA-00	12	6.0 ~ 13.8	0.07	0.84	2900	31.1	0.88	0.14	34.9	31.0	80
08020SA-12L-AA-00	12	6.0 ~ 13.8	0.09	1.08	3300	36.0	1.02	0.17	43.6	34.0	80
08020SA-12M-AA-00	12	6.0 ~ 13.2	0.13	1.56	3700	39.9	1.13	0.21	52.8	37.5	80
08020SA-24J-AA-00	24	9.0 ~ 27.6	0.05	1.20	2600	27.5	0.78	0.09	23.5	27.0	80
08020SA-24K-AA-00	24	9.0 ~ 27.6	0.06	1.44	2900	31.1	0.88	0.11	28.5	31.0	80
08020SA-24L-AA-00	24	9.0 ~ 27.6	0.07	1.68	3300	36.0	1.02	0.14	35.0	34.0	80
08020SA-24M-AA-00	24	9.0 ~ 27.6	0.09	2.16	3700	39.9	1.13	0.18	44.0	37.5	80

Rotation: Clockwise

Airflow Outlet: Air Out Over Struts

\*1: Average Values in Free Air

Note: PWM/Locked Rotor/Tach Available