



Chipsmall Limited consists of a professional team with an average of over 10 year of expertise in the distribution of electronic components. Based in Hongkong, we have already established firm and mutual-benefit business relationships with customers from,Europe,America and south Asia,supplying obsolete and hard-to-find components to meet their specific needs.

With the principle of “Quality Parts,Customers Priority,Honest Operation,and Considerate Service”,our business mainly focus on the distribution of electronic components. Line cards we deal with include Microchip,ALPS,ROHM,Xilinx,Pulse,ON,Everlight and Freescale. Main products comprise IC,Modules,Potentiometer,IC Socket,Relay,Connector.Our parts cover such applications as commercial,industrial, and automotives areas.

We are looking forward to setting up business relationship with you and hope to provide you with the best service and solution. Let us make a better world for our industry!



## Contact us

Tel: +86-755-8981 8866 Fax: +86-755-8427 6832

Email & Skype: info@chipsmall.com Web: www.chipsmall.com

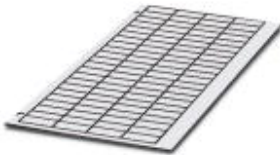
Address: A1208, Overseas Decoration Building, #122 Zhenhua RD., Futian, Shenzhen, China



# Engraving material - GPE 60 X 30 WH - 0806961

Please be informed that the data shown in this PDF Document is generated from our Online Catalog. Please find the complete data in the user's documentation. Our General Terms of Use for Downloads are valid (<http://download.phoenixcontact.com>)

Engraving material, Sheet, white, Unlabeled, Can be labeled with: Gravur, Plotter, Mounting type: Adhesive, Lettering field: 60 x 30 mm



The figure shows the version GPE 20x8 WH

## Why buy this product

- Can be engraved using the P1 ENGRAVING UNIT
- Can be labeled easily using the CMS-P1-PLOTTER
- The adhesive foil used ensures good adhesive properties, even on uneven surfaces
- Labeling service: Phoenix Contact can custom-label all GPE ... markers according to your requirements
- Two-layer material
- The label sheet consists of prefabricated, individual self-adhesive labels



## Key commercial data

Packing unit	1
Minimum order quantity	10
Catalog page	Page 226 (CL2-2011)
GTIN	 4 017918 145026
Weight per Piece (excluding packing)	19.0 GRM
Country of origin	GERMANY

## Technical data

### General

Note	Can be labeled with CMS
Height	30 mm
Width (a)	60 mm
Color	white
Ambient temperature (operation)	-20 °C ... 85 °C
Components	free from silicone and halogen
Material	TRANSPLY-ABS
Number of individual labels	9

# Engraving material - GPE 60 X 30 WH - 0806961

## Technical data

### General

Number of individual labels per row	3
-------------------------------------	---

## Classifications

### eclass

eCl@ss 4.0	24190218
eCl@ss 4.1	24190218
eCl@ss 5.0	27141137
eCl@ss 5.1	27141137
eCl@ss 6.0	27141137

### etim

ETIM 2.0	EC000761
ETIM 3.0	EC000761
ETIM 4.0	EC000761

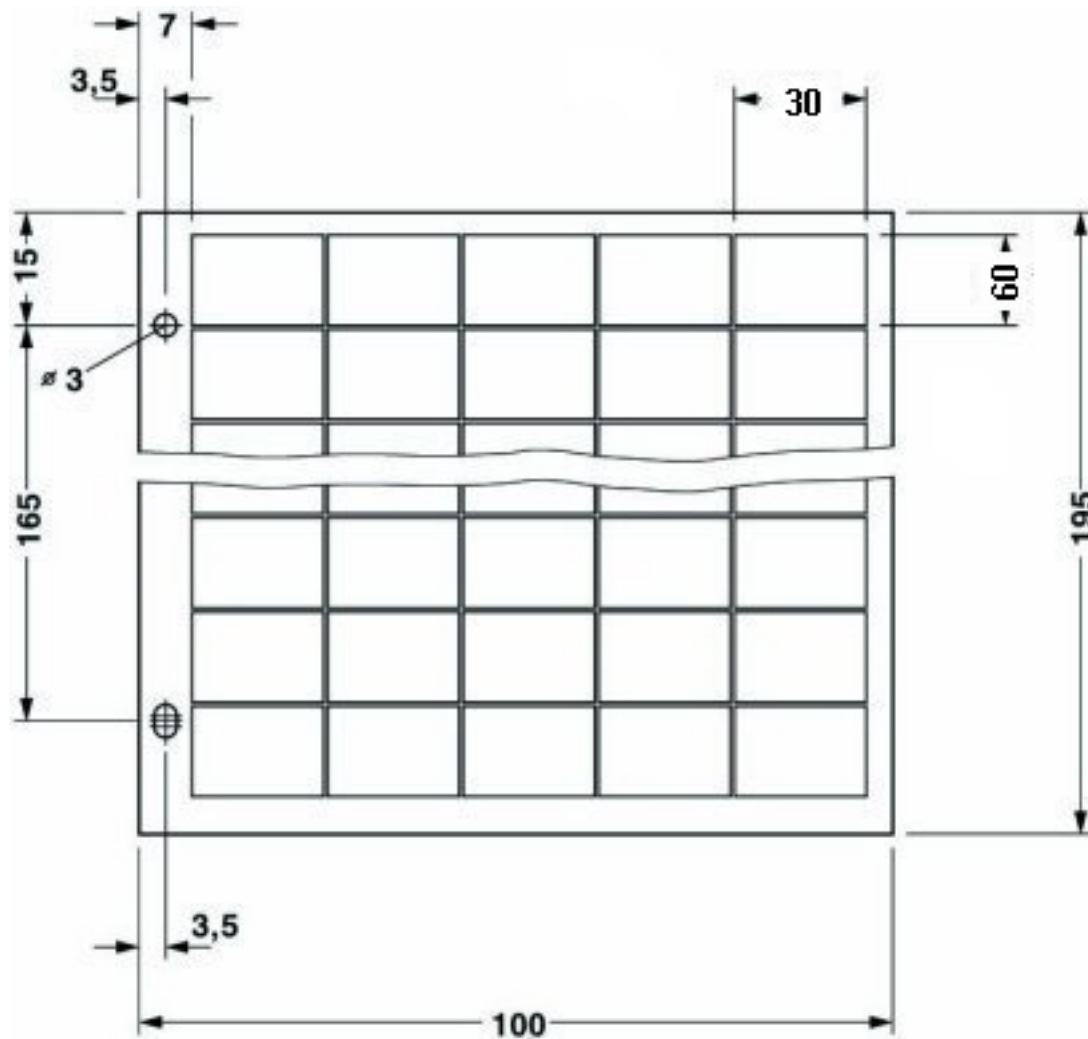
### unspsc

UNSPSC 6.01	30211811
UNSPSC 7.0901	39121410
UNSPSC 11	39121410
UNSPSC 12.01	39121410
UNSPSC 13.2	39121410

## Drawings

# Engraving material - GPE 60 X 30 WH - 0806961

Dimensioned drawing



© Phoenix Contact 2012 - all rights reserved  
<http://www.phoenixcontact.com>