



Chipsmall Limited consists of a professional team with an average of over 10 year of expertise in the distribution of electronic components. Based in Hongkong, we have already established firm and mutual-benefit business relationships with customers from,Europe,America and south Asia,supplying obsolete and hard-to-find components to meet their specific needs.

With the principle of “Quality Parts,Customers Priority,Honest Operation,and Considerate Service”,our business mainly focus on the distribution of electronic components. Line cards we deal with include Microchip,ALPS,ROHM,Xilinx,Pulse,ON,Everlight and Freescale. Main products comprise IC,Modules,Potentiometer,IC Socket,Relay,Connector.Our parts cover such applications as commercial,industrial, and automotives areas.

We are looking forward to setting up business relationship with you and hope to provide you with the best service and solution. Let us make a better world for our industry!



## Contact us

Tel: +86-755-8981 8866 Fax: +86-755-8427 6832

Email & Skype: info@chipsmall.com Web: www.chipsmall.com

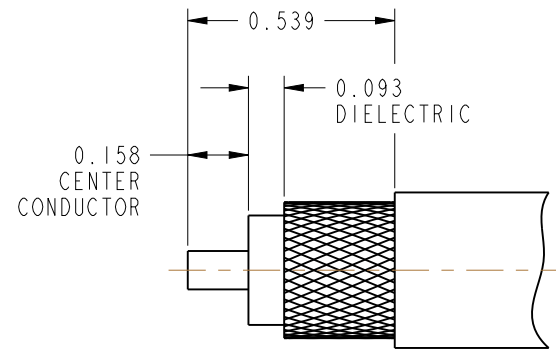
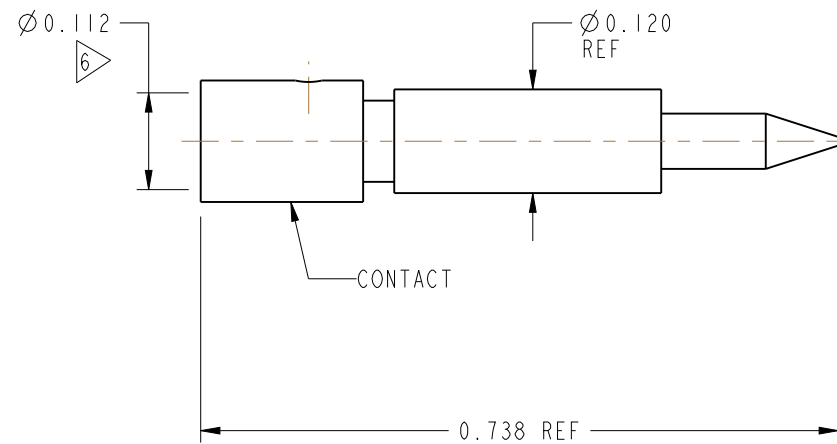
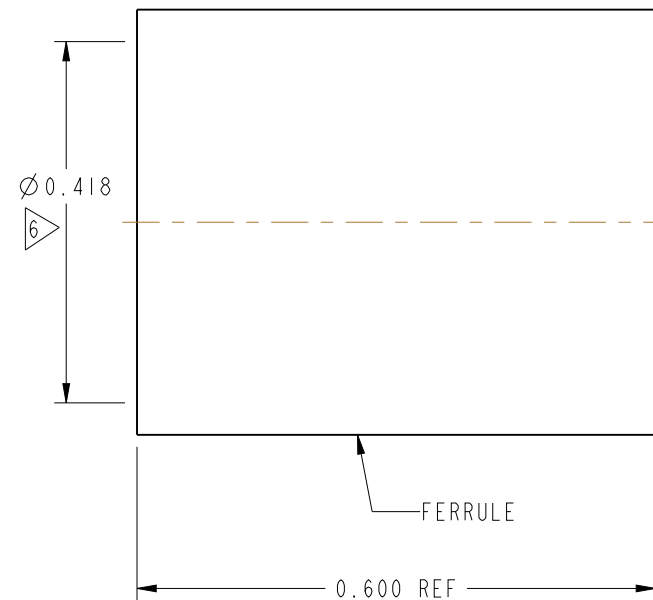
Address: A1208, Overseas Decoration Building, #122 Zhenhua RD., Futian, Shenzhen, China



NOTES:

1. MATERIALS AND FINISHES :
  - BODY, OUTER CONTACT & COUPLING NUT - BRASS, NICKEL PLATING
  - CONTACT - BRASS, SILVER PLATING
  - INSULATOR - PTFE
  - FERRULE - COPPER, NICKEL PLATING
  - RETAINING RING - PHOSPHOR BRONZE
  - GASKET - SILICONE RUBBER
2. ELECTRICAL:
  - A. IMPEDANCE: 50 OHM
3. MECHANICAL:
  - A. DURABILITY: 500 CYCLES MIN.
  - B. TEMPERATURE RANGE: -65° C TO +165° C
4. PACKAGING:
  - A. QUANTITY: SINGLE PACK
  - B. MARKING: BAG TO BE MARKED "AMPHENOL RF, 82-340-1052, AND DATE CODE"
5. CABLE ASSEMBLY INSTRUCTIONS
  - A. TRIM CABLE AS SHOWN.
  - B. INSERT CABLE CENTER CONDUCTOR TO CONTACT. SOLDER OR CRIMP CONTACT WITH 0.116" HEX DIE.
  - C. INSERT CABLE INTO CONNECTOR WITH BRAID OVER KNURL UNTIL IT BOTTOMS.
  - D. CRIMP FERRULE WITH 0.429" HEX DIE.

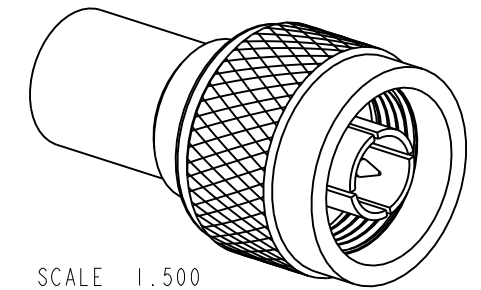
6. SHOWS CABLE ENTRY DIMENSIONS.



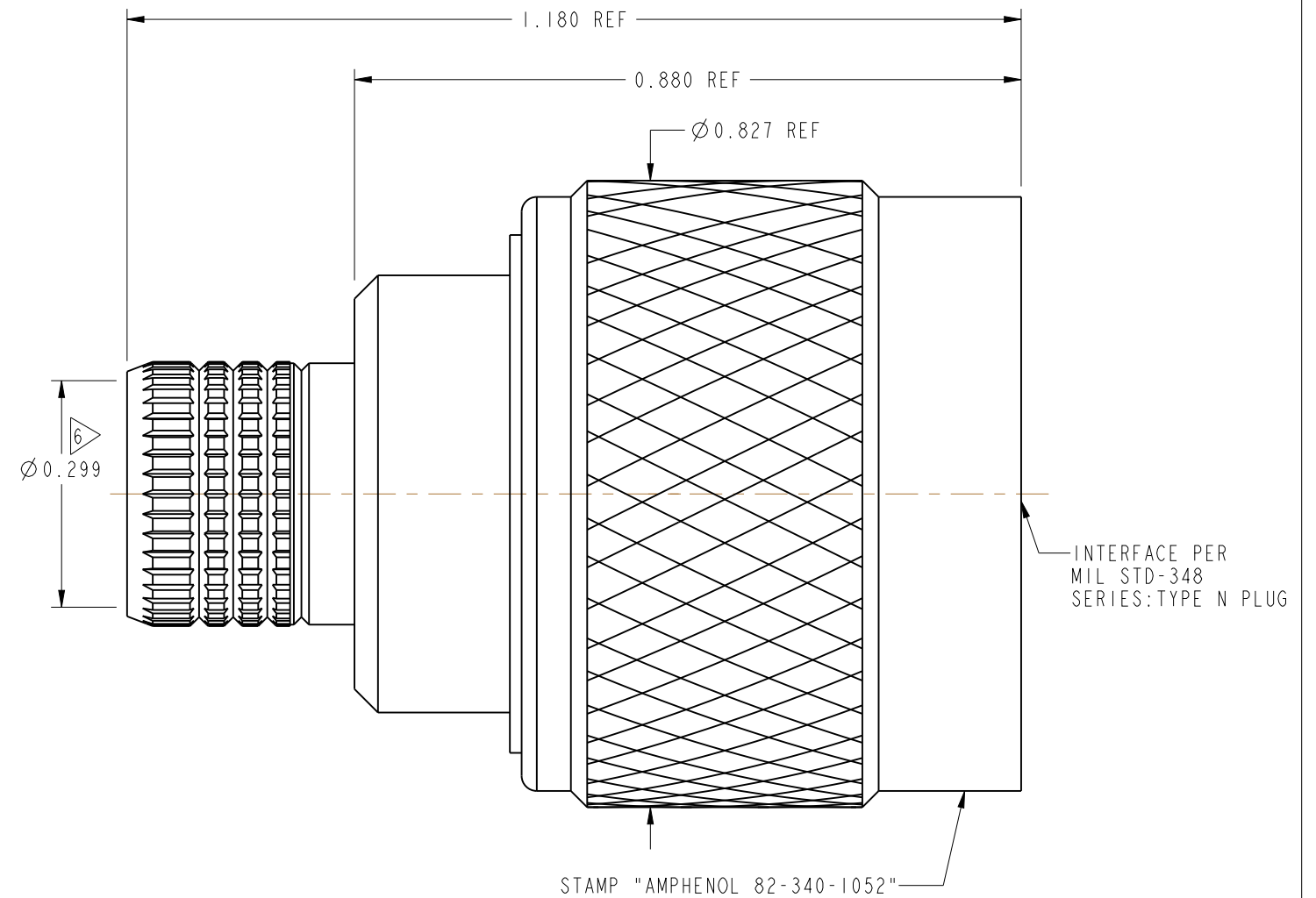
**RECOMMENDED CABLE STRIPPING DIMENSIONS**

THIRD ANGLE PROJ.

		REVISIONS		
REV	DESCRIPTION	DATE	ECO	APPR
--	RELEASE TO MFG.	-----	-----	-----
D	REDRAWN IN PRO-E , ADD COD	2/24/14	49780	CL



SCALE 1.500



**MIL-C-39012 INSPECTION**

**CUSTOMER OUTLINE DRAWING**

ALL OTHER SHEETS ARE FOR INTERNAL USE ONLY

UNLESS OTHERWISE SPECIFIED, DIMENSIONS ARE IN INCHES AND TOLERANCES ARE: 2 PLACE DECIMAL 3 PLACE DECIMAL ANGLES ±.015 (0,381 mm) ±.005 (0,127 mm) ± 1°	MATERIAL	DRAWN	DATE	TITLE QUICK CRIMP "N" PLUG FOR SOLID DIELECTRIC FOR (BELDEN 9913 & 9914) CABLES		Amphenol RF www.amphenolrf.com	
	SEE NOTES	CLEMENT	23-Oct-13				
NOTICE - These drawings, specifications, or other data (1) are, and remain the property of Amphenol corp. (2) must be returned upon request; and (3) are confidential and not to be disclosed to any person other than those to whom they are given by Amphenol Corp. the furnishing of these drawings, specifications, or other data by Amphenol Corp., or to any other person to anyone for any purpose is not to be regarded by implication or otherwise in any manner licensing, granting rights to permitting such holder or any other person to manufacture, use or sell any product, process or design, patented or otherwise, that may in any way be related to or disclosed by said drawings, specifications, or other data.	REFERENCE	ENGINEER	DATE	SCALE: 4.5:1.0 SHEET 2 OF 2		DRAWING NO.82-340-1052	
	EAR # 962090-5 (611X-3354)	CLEMENT	23-Oct-13			DWG SIZE B	
	CONFIGURATION LEVEL: In Work	APPROVED	DATE	REV	PART NO.82-340-1052		
FINISH	K. CAPOZZI	2/21/14	D				