



Chipsmall Limited consists of a professional team with an average of over 10 year of expertise in the distribution of electronic components. Based in Hongkong, we have already established firm and mutual-benefit business relationships with customers from,Europe,America and south Asia,supplying obsolete and hard-to-find components to meet their specific needs.

With the principle of "Quality Parts,Customers Priority,Honest Operation,and Considerate Service",our business mainly focus on the distribution of electronic components. Line cards we deal with include Microchip,ALPS,ROHM,Xilinx,Pulse,ON,Everlight and Freescale. Main products comprise IC,Modules,Potentiometer,IC Socket,Relay,Connector.Our parts cover such applications as commercial,industrial, and automotives areas.

We are looking forward to setting up business relationship with you and hope to provide you with the best service and solution. Let us make a better world for our industry!



Contact us

Tel: +86-755-8981 8866 Fax: +86-755-8427 6832

Email & Skype: info@chipsmall.com Web: www.chipsmall.com

Address: A1208, Overseas Decoration Building, #122 Zhenhua RD., Futian, Shenzhen, China



THE INFORMATION CONTAINED HEREIN IS CONSIDERED 'PROPRIETARY' TO BEL FUSE INC. AND SHALL NOT BE COPIED, REPRODUCED OR DISCLOSED WITHOUT THE WRITTEN APPROVAL OF BEL FUSE INC.

RoHS
2002/95/EC



SCHMATIC

| LED1 POLARITY | | | LED2 POLARITY | | |
|---------------|--------|--------|---------------|--------|--------|
| PIN 13 | PIN 14 | COLOR | PIN 15 | PIN 16 | COLOR |
| + | - | YELLOW | + | - | YELLOW |
| - | + | GREEN | - | + | GREEN |

ELECTRICAL CHARACTERISTICS @ 25°C

URNS RATIO

| | |
|-----|---------------|
| TP1 | 1CT : 1CT ±2% |
| TP2 | 1CT : 1CT ±2% |
| TP3 | 1CT : 1CT ±2% |
| TP4 | 1CT : 1CT ±2% |

OCL @ 100kHz/100mVRMS

8mA DC BIAS 350µH MIN.

INS. LOSS

| | |
|------------------|-------------|
| 0.1MHz TO 1MHz | -1.1 dB MAX |
| 1MHz TO 65MHz | -0.5 dB MAX |
| 65MHz TO 100MHz | -0.8 dB MAX |
| 100MHz TO 125MHz | -1.2 dB MAX |

RET. LOSS (MIN)

| | |
|--------------|-----------------------|
| 0.5MHz-40MHz | -18 dB |
| 40MHz-100MHz | -12+20LOG(f/80MHz) dB |

CM TO CM REJ

100kHz - 100MHz -30 dB MIN

CM TO DM REJ

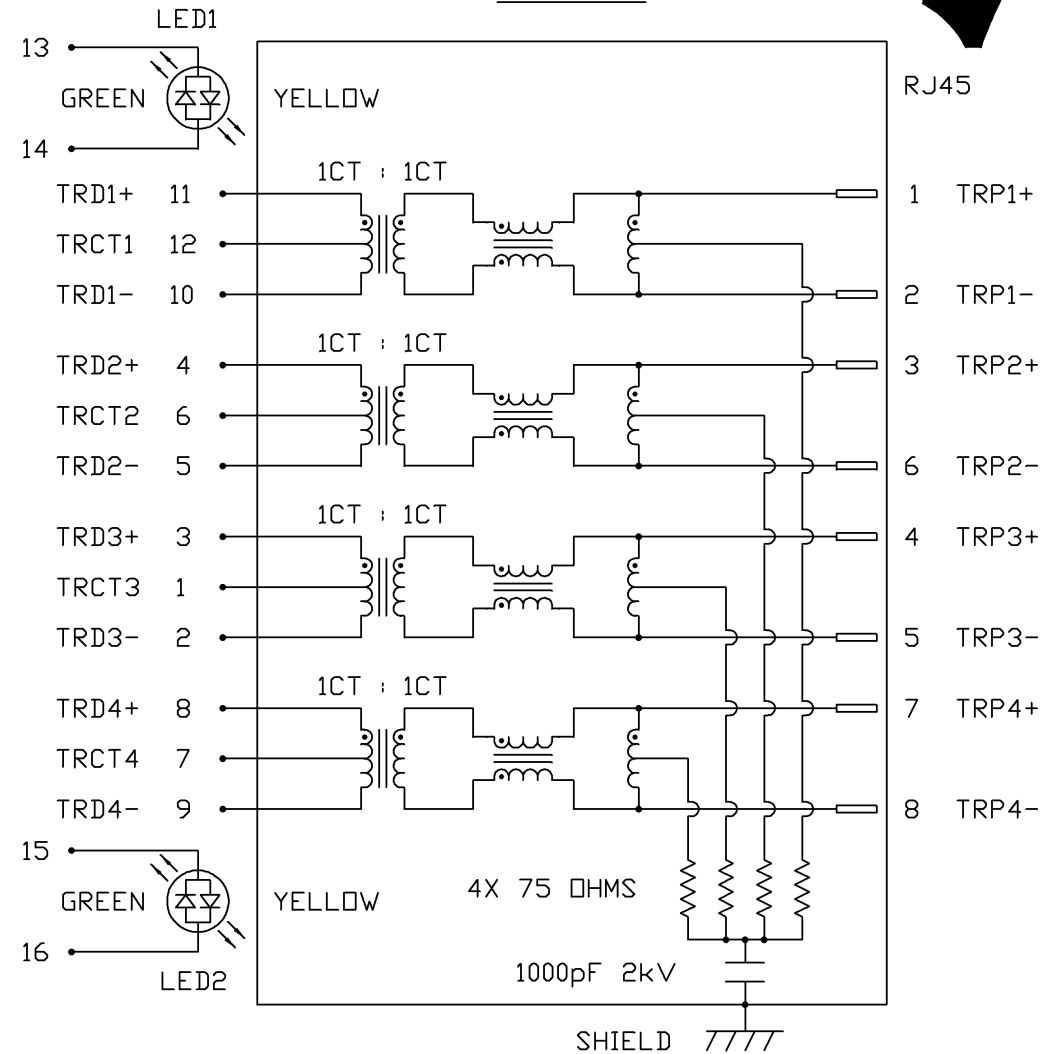
100kHz - 100MHz -35 dB MIN

HIPOT (Isolation Voltage): 1500 Vrms or 2250VDC

100% OF PRODUCTION TESTED TO COMPLY WITH IEEE 802.3 ISOLATION REQUIREMENTS.

LED 1 & LED 2

| | | | |
|--------------------------|---------|--------|------------|
| VF (FORWARD VOLTAGE) | IF=20mA | GREEN | 2.2V TYP. |
| | | YELLOW | 2.1V TYP. |
| λD (DOMINANT WAVELENGTH) | IF=20mA | GREEN | 565nm TYP. |
| | | YELLOW | 590nm TYP. |



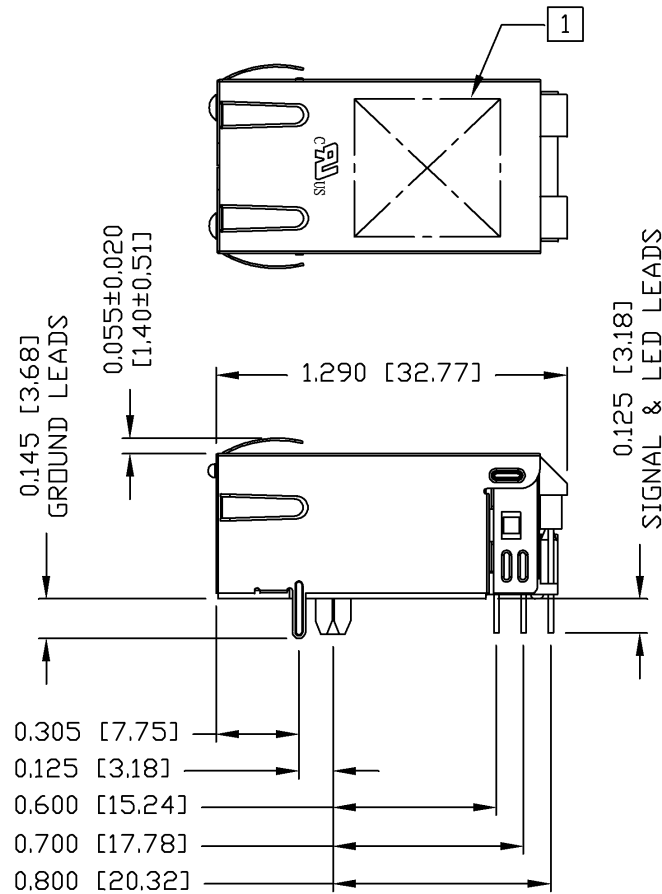
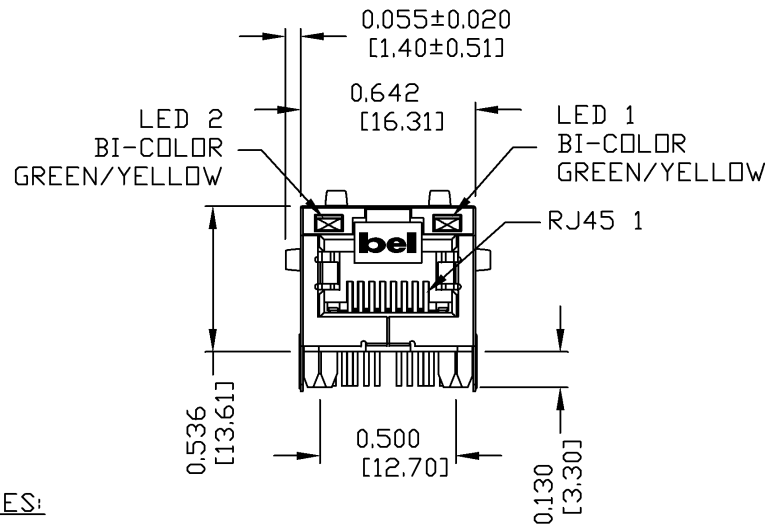
| ORIGINATED BY | DATE | TITLE | PART NO. / DRAWING NO. | STANDARD DIM. | [] METRIC DIM. AS REFERENCE | |
|---------------|----------|--|------------------------|---------------|------------------------------|-------------|
| CHOW WANCHUNG | 07-31-08 | glgabit MagJack® (12 cores, Tab Up) 0826-1C1T-23-F | 08261C1T23-F | TOL. IN INCH | UNIT : INCH [mm] | REV. : C |
| DRAWN BY | DATE | | | FILE NAME | .X | SCALE : N/A |
| WEIDE LEE | 07-31-08 | | 08261C1T23-F_C.DWG | .XX | | PAGE : 2 |
| | | | | .XXX | | |



THE INFORMATION CONTAINED HEREIN IS CONSIDERED 'PROPRIETARY' TO BEL FUSE INC. AND SHALL NOT BE COPIED, REPRODUCED OR DISCLOSED WITHOUT THE WRITTEN APPROVAL OF BEL FUSE INC.



MECHANICAL SPECIFICATION



NOTES:

- PLASTIC HOUSING: THERMOPLASTIC PA
- FLAMMABILITY RATING UL 94V-0
- CONTACTS: 50 MICRO-INCH HARD GOLD PLATING
- OUTPUT PINS: TIN-COATED COPPER WIRE, DIA 0.018 INCH.
- METAL SHIELD: NICKEL PLATED ON COPPER ALLOY.
- (ALL GROUND LEADS ARE SOLDER DIPPED)
- ☐ MARK PART WITH MFG LOGO, MFG NAME, PART NUMBER, AND DATE CODE.

UL US UL RECOGNIZED - FILE #E196366 AND E169987.
 RoHS COMPLIANT, PER EU DIRECTIVE 2002/95/EC
 JACK CAVITY CONFORMS TO FCC RULES AND REGULATIONS.

| | | | | | | | |
|---------------------------|------------------|---|--|---------------|--------|---------------------------------------|-----------|
| ORIGINATED BY ZX HUANG | DATE 07-31-08 | TITLE gigabit MagJack® (12 cores, Tab Up) | PART NO. / DRAWING NO. 08261C1T23-F | STANDARD DIM. | | [] METRIC DIM. AS REFERENCE | |
| | | | | TOL. IN INCH | | UNIT : INCH [mm] | REV. : C |
| DRAWN BY BL CHEN | DATE 07-31-08 | 0826-1C1T-23-F | FILE NAME 08261C1T23-F_C.DWG | .X | ±0.010 | SCALE : N/A | SIZE : A4 |
| | | | | .XX | | SCALE : N/A | SIZE : A4 |
| | | | | .XXX | | SCALE : N/A | SIZE : A4 |
| | | | | PAGE : 3 | | COMPONENTS FOR A CONNECTED PLANET | |

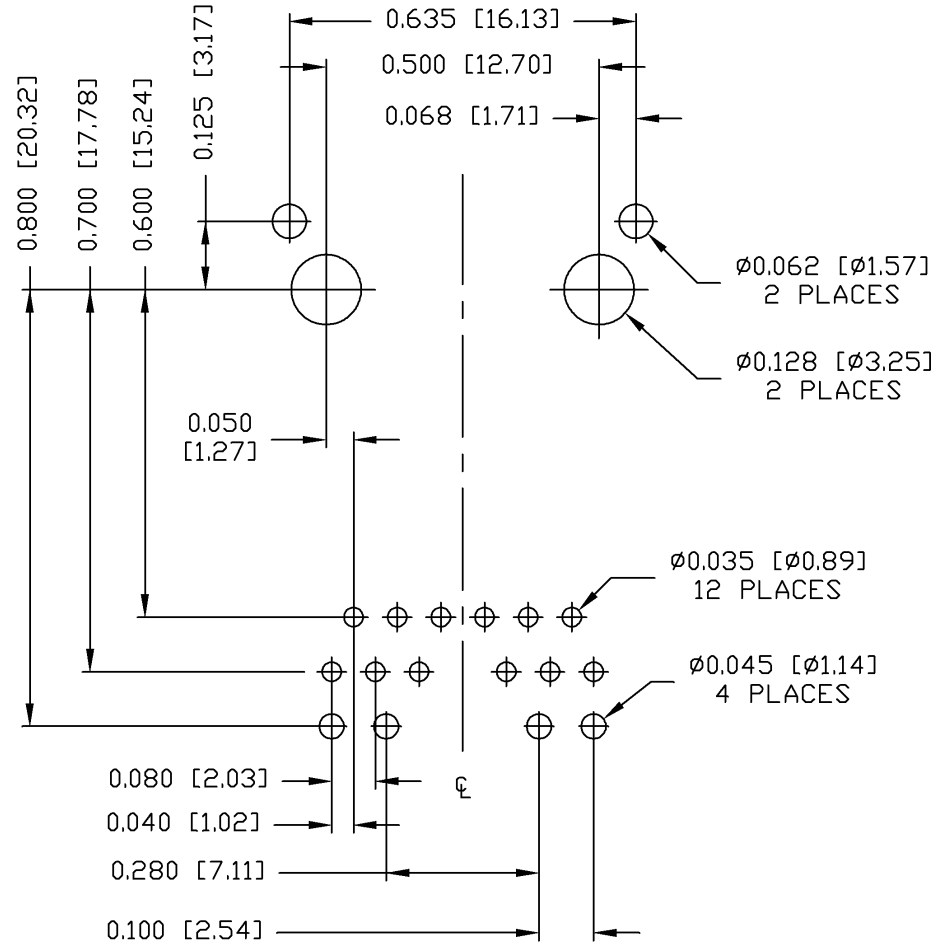
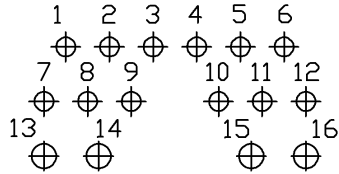
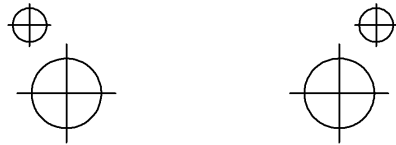
THE INFORMATION CONTAINED HEREIN IS CONSIDERED 'PROPRIETARY' TO BEL FUSE INC. AND SHALL NOT BE COPIED, REPRODUCED OR DISCLOSED WITHOUT THE WRITTEN APPROVAL OF BEL FUSE INC.

RoHS
2002/95/EC



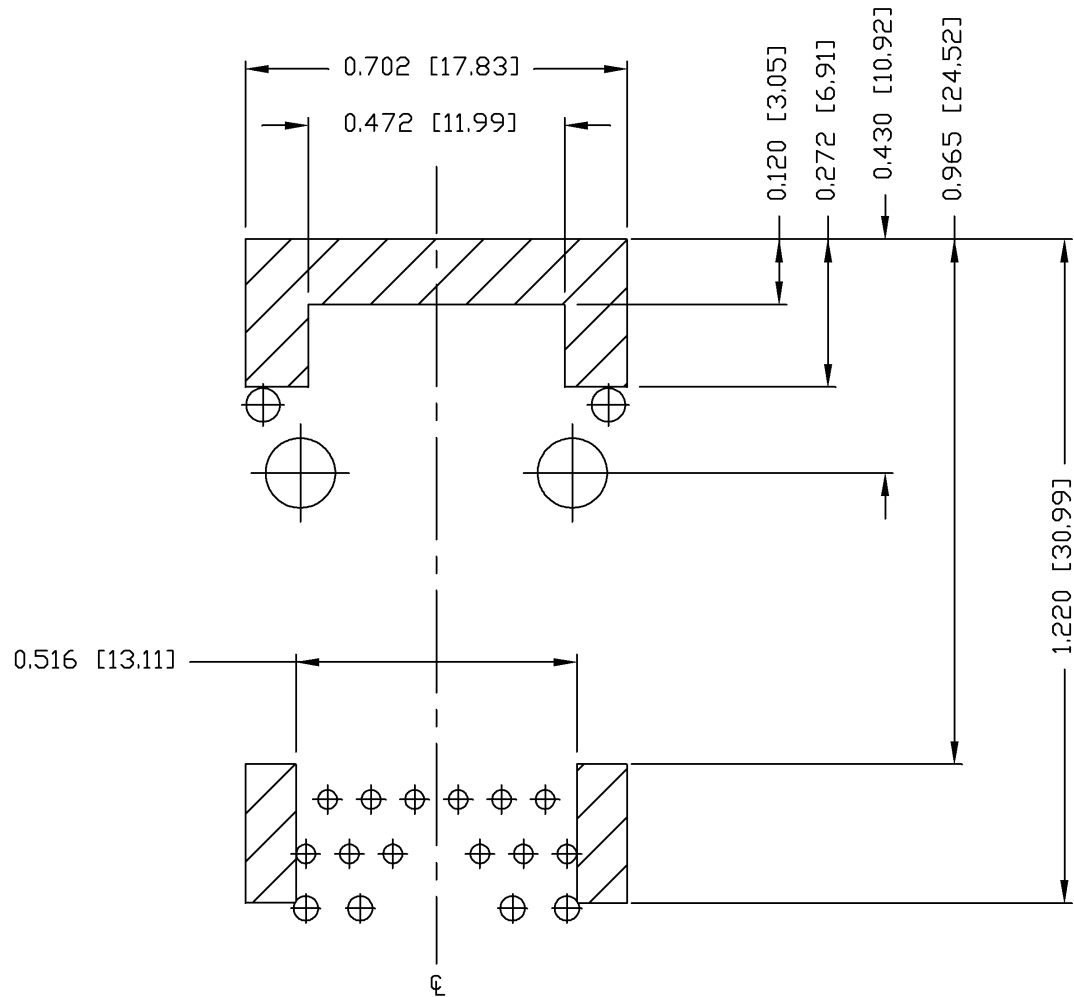
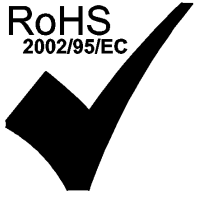
RECOMMENDED PCB FOOTPRINT
COMPONENT SIDE VIEW

PIN ASSIGNMENT - EACH PORT
COMPONENT SIDE VIEW



| | | | | | | |
|---------------------------|------------------|---|--|-------------------------------|------------------------------|--|
| ORIGINATED BY ZX HUANG | DATE 07-31-08 | TITLE gigabit MagJack® (12 cores, Tab Up) 0826-1C1T-23-F | PART NO. / DRAWING NO. 08261C1T23-F | STANDARD DIM. TOL. IN INCH | [] METRIC DIM. AS REFERENCE | bel COMPONENTS ON A CONNECTED PLANET |
| DRAWN BY BL CHEN | DATE 07-31-08 | | FILE NAME 08261C1T23-F_C.DWG | .X .XX .XXX | ±0.004 | |

THE INFORMATION CONTAINED HEREIN IS CONSIDERED 'PROPRIETARY' TO BEL FUSE INC. AND SHALL NOT BE COPIED, REPRODUCED OR DISCLOSED WITHOUT THE WRITTEN APPROVAL OF BEL FUSE INC.



NOTES

THE SHADED AREA ON THE CUSTOMER BOARD ARE RECOMMENDED TO BE CLEAR OFF ANY VIA HOLE OR COMPONENT PAD.

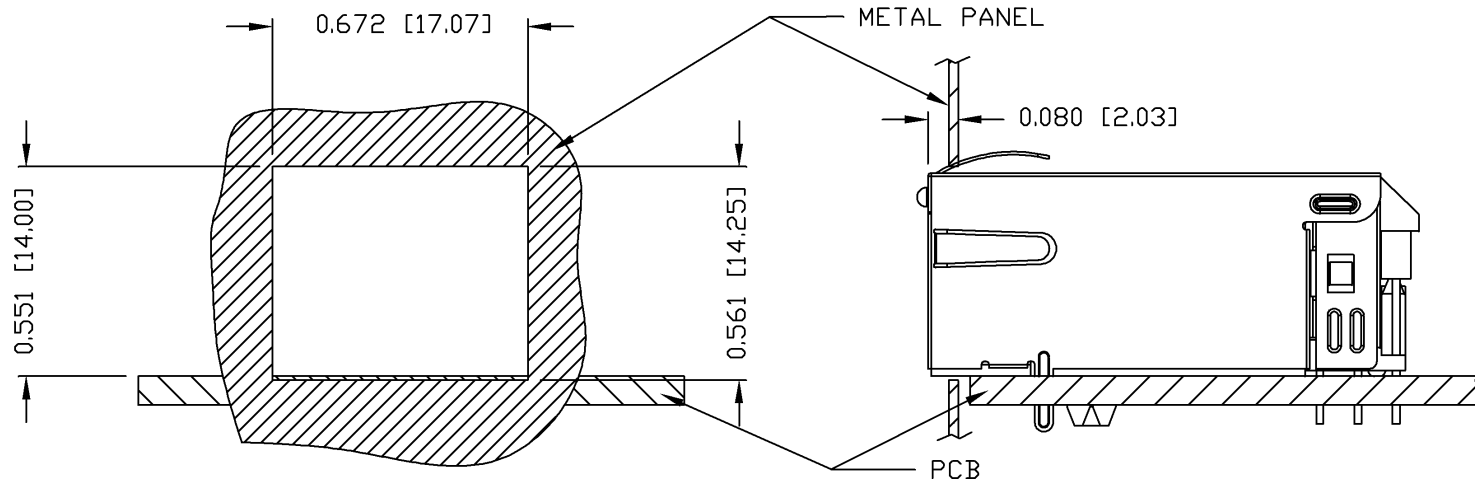
| | | | | | | | | | |
|---------------------------|------------------|---|--|---------------|--------|------------------------------|-----------|----------|--|
| ORIGINATED BY ZX HUANG | DATE 07-31-08 | TITLE gigabit MagJack® (12 cores, Tab Up) | PART NO. / DRAWING NO. 08261C1T23-F | STANDARD DIM. | | [] METRIC DIM. AS REFERENCE | | REV. : C | bel COMPONENTS FOR A CONNECTED PLANET |
| | | | | TOL. IN INCH | | UNIT : INCH [mm] | SIZE : A4 | | |
| DRAWN BY BL CHEN | DATE 07-31-08 | 0826-1C1T-23-F | FILE NAME 08261C1T23-F_C.DWG | .X | | SCALE : N/A | SIZE : A4 | PAGE : 5 | |
| | | | | .XX | | | | | |
| | | | | .XXX | ±0.004 | | | | |

THE INFORMATION CONTAINED HEREIN IS CONSIDERED 'PROPRIETARY' TO BEL FUSE INC. AND SHALL NOT BE COPIED, REPRODUCED OR DISCLOSED WITHOUT THE WRITTEN APPROVAL OF BEL FUSE INC.

RoHS
2002/95/EC



SUGGESTED PANEL OPENING



NOTE:

THE DISTANCE OF PANEL INSIDE SURFACE RELATIVE TO FRONT SURFACE OF PART IS ONLY A SUGGESTION. IN CASE THIS DISTANCE IS DIFFERENT, THE REQUIRED PANEL OPENING DIMENSIONS CHANGE ACCORDINGLY.

PACKING INFORMATION

PACKING TRAY : 0200-9999-F6 (TOP)

0200-9999-F7 (BOTTOM)

PACKING QUANTITY : 40 PCS FINISHED GOODS PER TRAY

10 TRAYS (400 PCS FINISHED GOODS) PER CARTON BOX

NOTE : CARDBOARDS ARE PLACED BETWEEN LAYERS OF PACKING TRAY INSIDE CARTON BOX
(INCLUDE THE UPPERMOST AND LOWERMOST TRAY)

| | | | | | | | | | |
|---------------------------|------------------|---|--|------|-------------------------------|-------------|------------------------------|----------|--|
| ORIGINATED BY ZX HUANG | DATE 07-31-08 | TITLE 10Gigabit MagJack® (12 cores, Tab Up) 0826-1C1T-23-F | PART NO. / DRAWING NO. 08261C1T23-F | | STANDARD DIM. TOL. IN INCH | | [] METRIC DIM. AS REFERENCE | | bel COMPONENTS FOR A CONNECTED PLANET |
| | | | FILE NAME 08261C1T23-F_C.DWG | | .X | | UNIT : INCH [mm] | REV. : C | |
| DRAWN BY BL CHEN | DATE 07-31-08 | | | .XX | | SCALE : N/A | SIZE : A4 | | |
| | | | | .XXX | ±0.004 | | PAGE : 6 | | |