



Chipsmall Limited consists of a professional team with an average of over 10 year of expertise in the distribution of electronic components. Based in Hongkong, we have already established firm and mutual-benefit business relationships with customers from,Europe,America and south Asia,supplying obsolete and hard-to-find components to meet their specific needs.

With the principle of “Quality Parts,Customers Priority,Honest Operation,and Considerate Service”,our business mainly focus on the distribution of electronic components. Line cards we deal with include Microchip,ALPS,ROHM,Xilinx,Pulse,ON,Everlight and Freescale. Main products comprise IC,Modules,Potentiometer,IC Socket,Relay,Connector.Our parts cover such applications as commercial,industrial, and automotives areas.

We are looking forward to setting up business relationship with you and hope to provide you with the best service and solution. Let us make a better world for our industry!



Contact us

Tel: +86-755-8981 8866 Fax: +86-755-8427 6832

Email & Skype: info@chipsmall.com Web: www.chipsmall.com

Address: A1208, Overseas Decoration Building, #122 Zhenhua RD., Futian, Shenzhen, China



THE INFORMATION CONTAINED HEREIN IS CONSIDERED "PROPRIETARY" TO BEL FUSE INC. AND SHALL NOT BE COPIED, REPRODUCED OR DISCLOSED WITHOUT THE WRITTEN APPROVAL OF BEL FUSE INC.

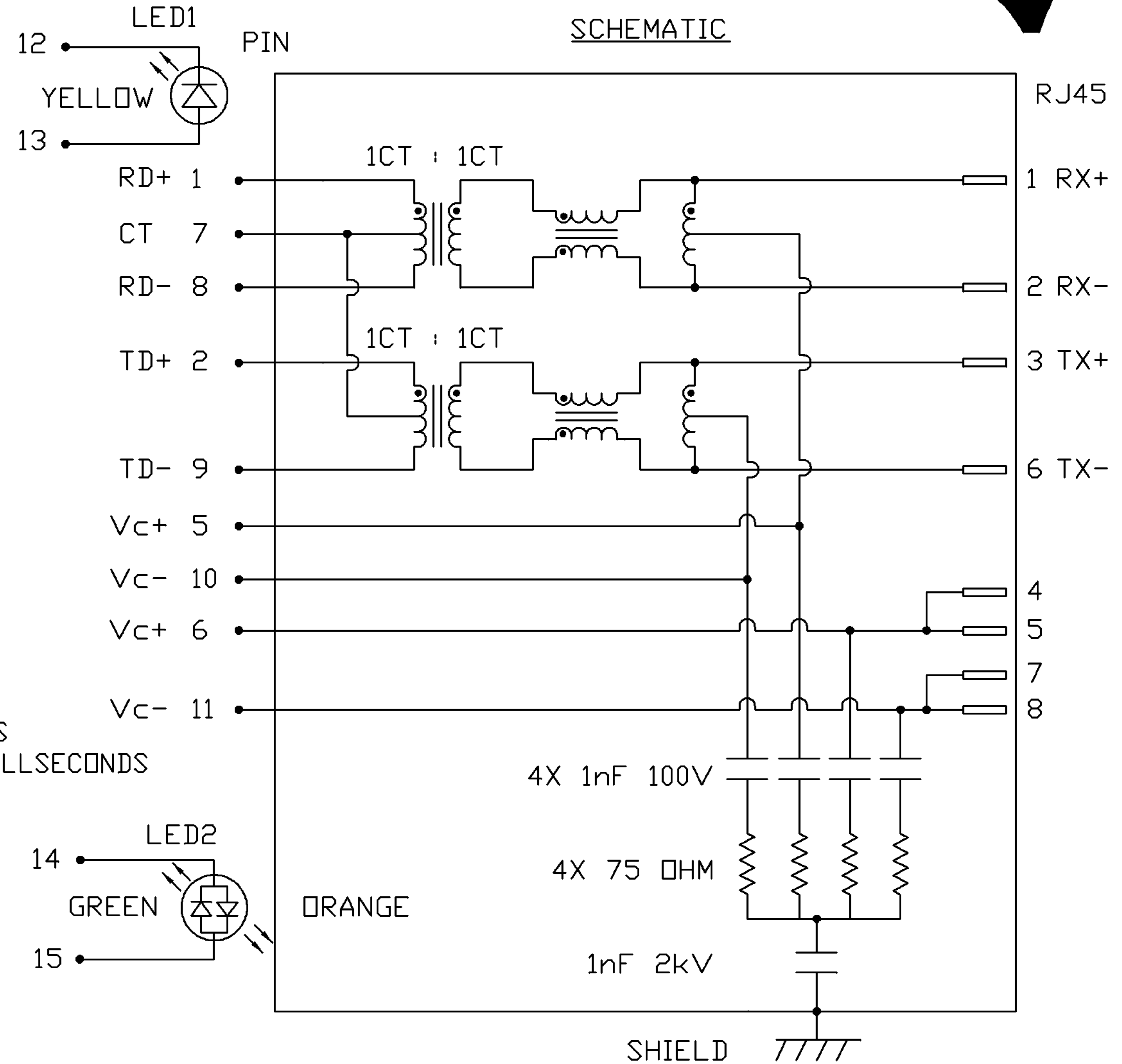
RoHS
2002/95/EC



LED1 POLARITY			LED2 POLARITY		
PIN 12	PIN 13	COLOR	PIN 14	PIN 15	COLOR
-	+	YELLOW	+	-	ORANGE
/	/	/	-	+	GREEN

ELECTRICAL CHARACTERISTICS @ 25°C

URNS RATIO	1CT : 1CT ±2%
CL @ 100kHz/100mVRMS 8mA DC BIAS	350µH MIN.
INSERTION LOSS 100KHz TO 100MHz	-1.5 dB MAX.
RETURN LOSS (MIN.) 2MHz-30MHz	-16 dB MIN.
60MHz-80MHz	-10 dB MIN.
LEAKAGE INDUCTANCE PRIMARY W/ SECONDARY SHORTED	0.25µH MAX. @ 1MHz
D.C. RESISTANCE (8-1)=(9-2)	1.0 Ω MAX.
(RJ1-RJ2)=(RJ3-RJ6)	1.40 Ω MAX.
INTERWINDING CAPACITANCE PER CHANNEL (PRI. to SEC.)	40 pF MAX.
CROSS TALK 100KHz - 100MHz	-30 dB MIN.
BALANCED DC LINE CURRENT	350mA MAX. @ 57 VDC CONTINUOUS 500mA MAX. @ 57 VDC FOR 200 MILLSECONDS
HIPOT (ISOLATION VOLTAGE)	2250 VDC
LED 1	
VF (FORWARD VOLTAGE)	IF=20mA YELLOW 2.1V TYP.
λD (DOMINANT WAVELENGTH)	IF=20mA YELLOW 590nm TYP.
LED 2	
VF (FORWARD VOLTAGE)	IF=20mA GREEN 2.2V TYP.
	ORANGE 2.0V TYP.
λD (DOMINANT WAVELENGTH)	IF=20mA GREEN 565nm TYP.
	ORANGE 610nm TYP.



ORIGINATED BY	DATE	TITLE	PART NO. / DRAWING NO.	STANDARD DIM. TOL. IN INCH	[] METRIC DIM. AS REFERENCE
WANCHUNG CHOW	07-28-08	10/100 MagJack® (VOIP, Tab Up)	08261X1T57-F	.X	UNIT : INCH [mm] REV. : D
DRAWN BY	DATE	0826-1X1T-57-F	FILE NAME	.XX	SCALE : N/A SIZE : A4
WEIDE LEE	07-28-08		08261X1T57-F_D.DWG	.XXX	PAGE : 2

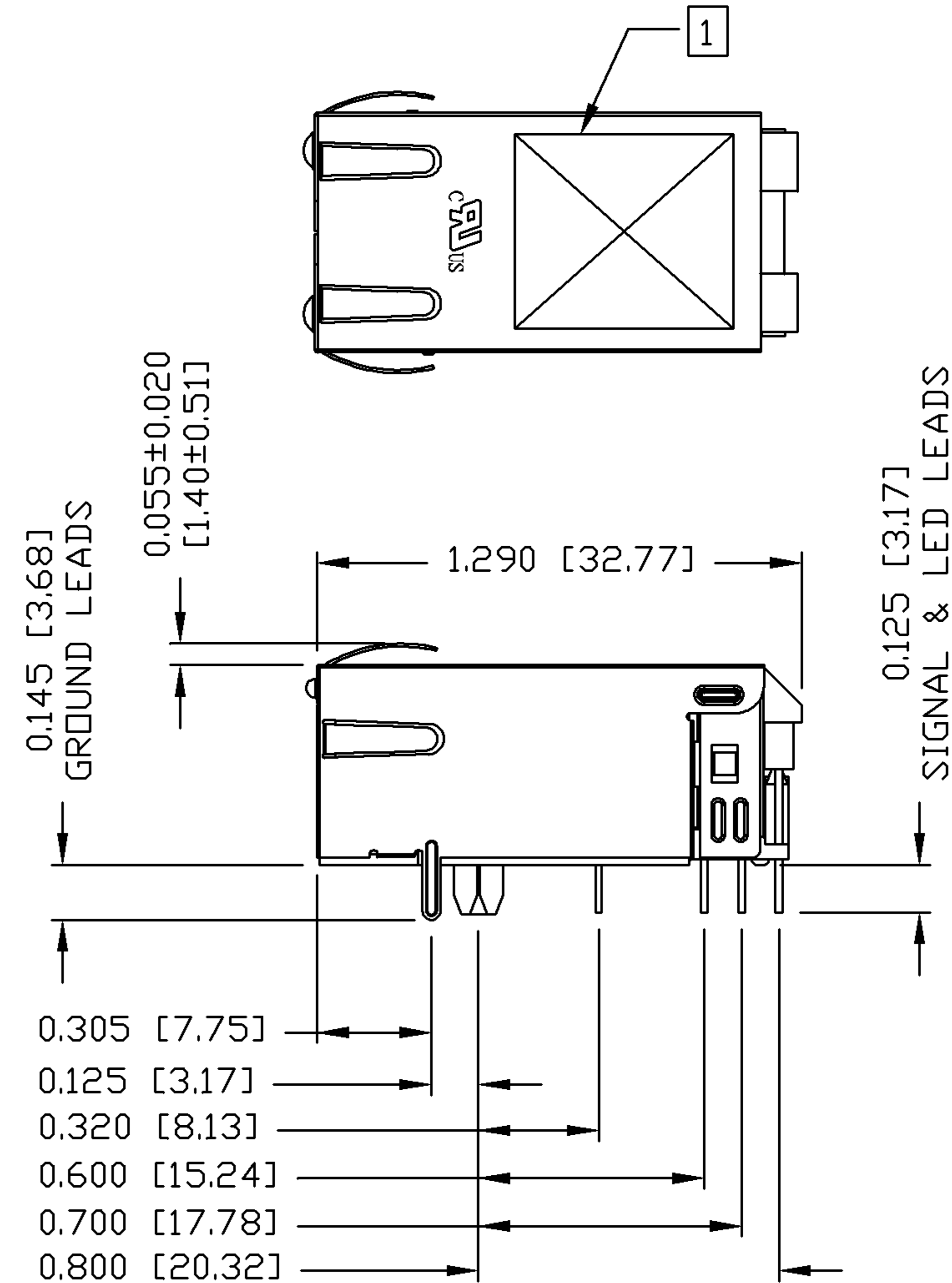
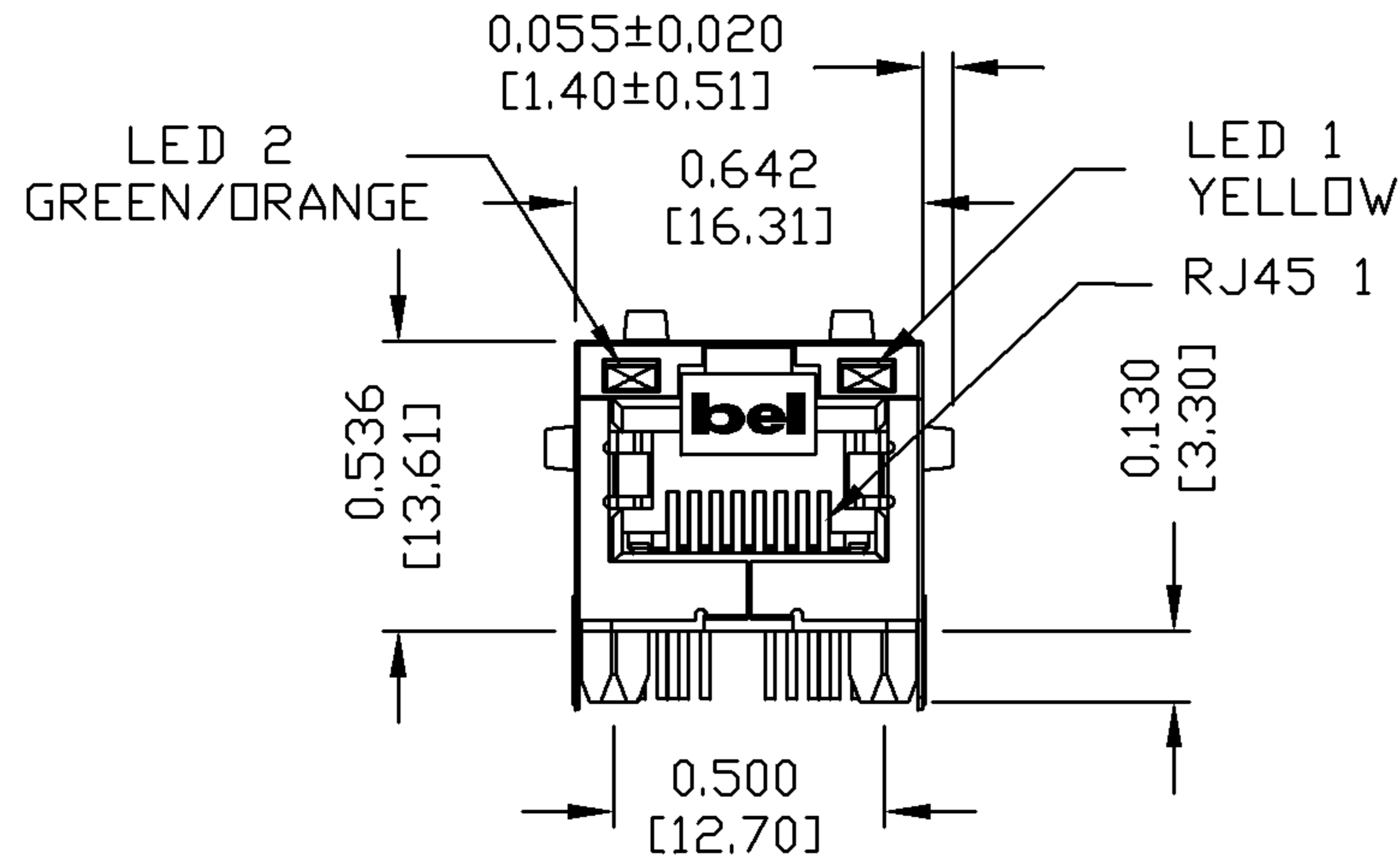


THE INFORMATION CONTAINED HEREIN IS CONSIDERED "PROPRIETARY" TO BEL FUSE INC. AND SHALL NOT BE COPIED, REPRODUCED OR DISCLOSED WITHOUT THE WRITTEN APPROVAL OF BEL FUSE INC.

RoHS
2002/95/EC



MECHANICAL SPECIFICATION



NOTES:

- PLASTIC HOUSING: THERMOPLASTIC PA
FLAMMABILITY RATING UL 94V-0
- CONTACTS: 50 MICRO-INCH HARD GOLD PLATING
- OUTPUT PINS: TIN-COATED COPPER WIRE, DIA 0.018 INCH.
- METAL SHIELD: NICKEL PLATED ON COPPER ALLOY.
(ALL GROUND LEADS ARE SOLDER DIPPED)
- ☐ MARK PART WITH MFG LOGO, MFG NAME, PART NUMBER, AND DATE CODE.

c USUL RECOGNIZED - FILE #E196366 AND E169987.
2. RoHS COMPLIANCE, PER EU DIRECTIVE 2002/95/EC.
JACK CAVITY CONFORMS TO FCC RULES AND REGULATIONS.

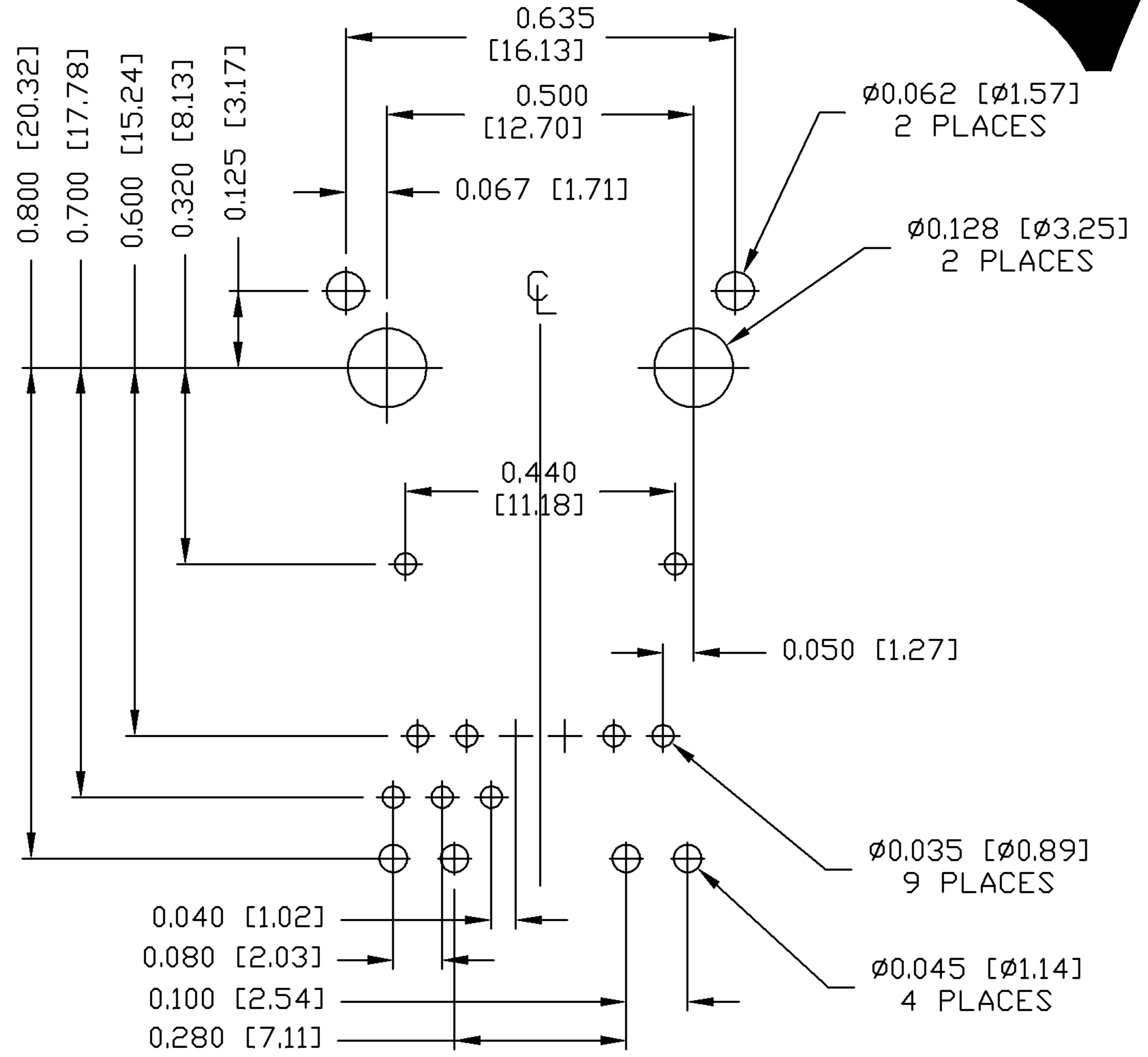
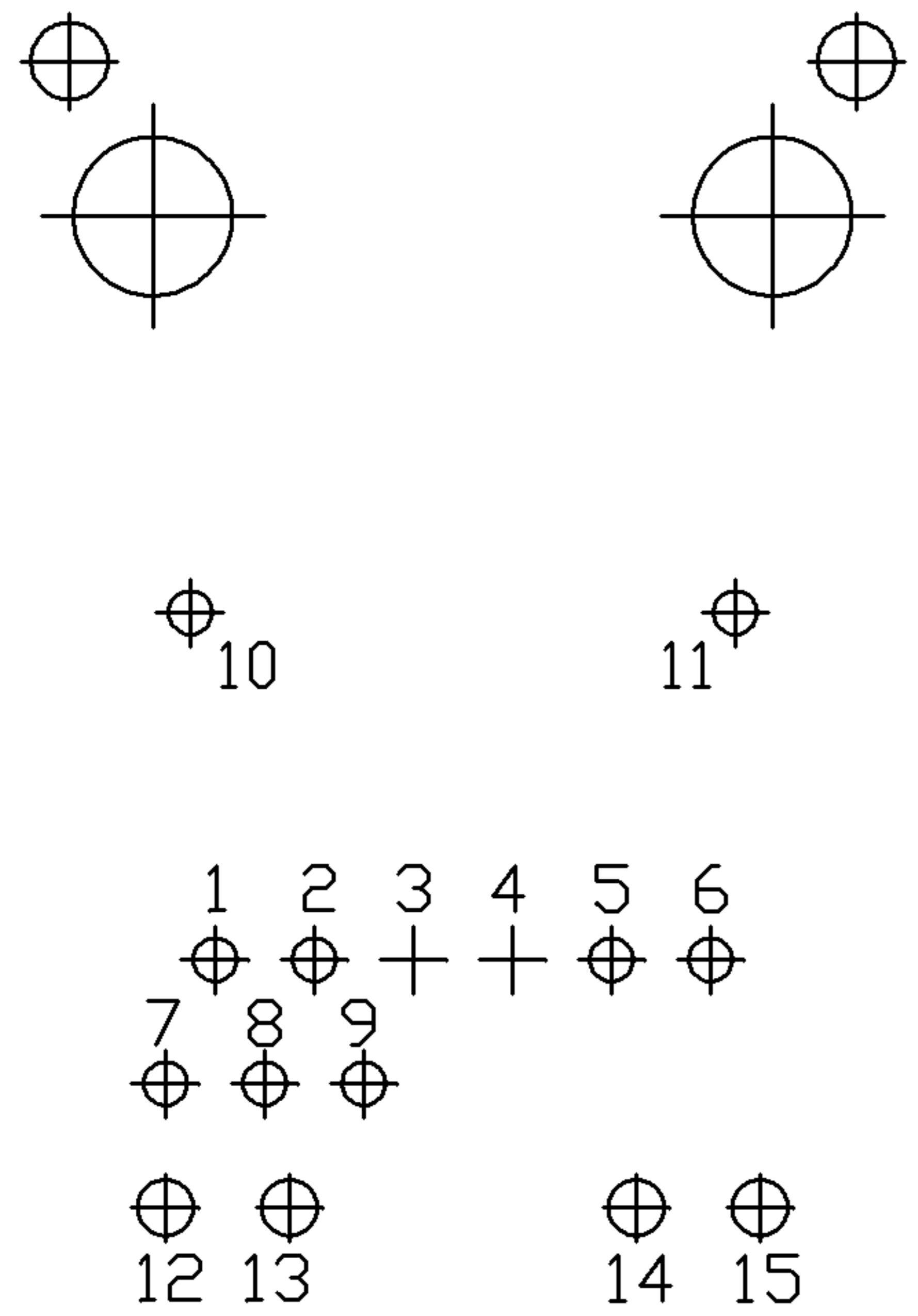
ORIGINATED BY ZX HUANG	DATE 07-28-08	TITLE 10/100 MagJack® (VOIP, Tab Up) 0826-1X1T-57-F	PART NO. / DRAWING NO. 08261X1T57-F	STANDARD DIM. TOL. IN INCH	[] METRIC DIM. AS REFERENCE	 COMPONENTS FOR A CONNECTED PLANET	
DRAWN BY BL CHEN	DATE 07-28-08		FILE NAME 08261X1T57-F_D.DWG	.X	UNIT : INCH [mm]		REV. : D
				.XX	SCALE : N/A		SIZE : A4
			.XXX	±0.010		PAGE : 3	

THE INFORMATION CONTAINED HEREIN IS CONSIDERED "PROPRIETARY" TO BEL FUSE INC. AND SHALL NOT BE COPIED, REPRODUCED OR DISCLOSED WITHOUT THE WRITTEN APPROVAL OF BEL FUSE INC.

RECOMMENDED PCB FOOTPRINT
COMPONENT SIDE VIEW

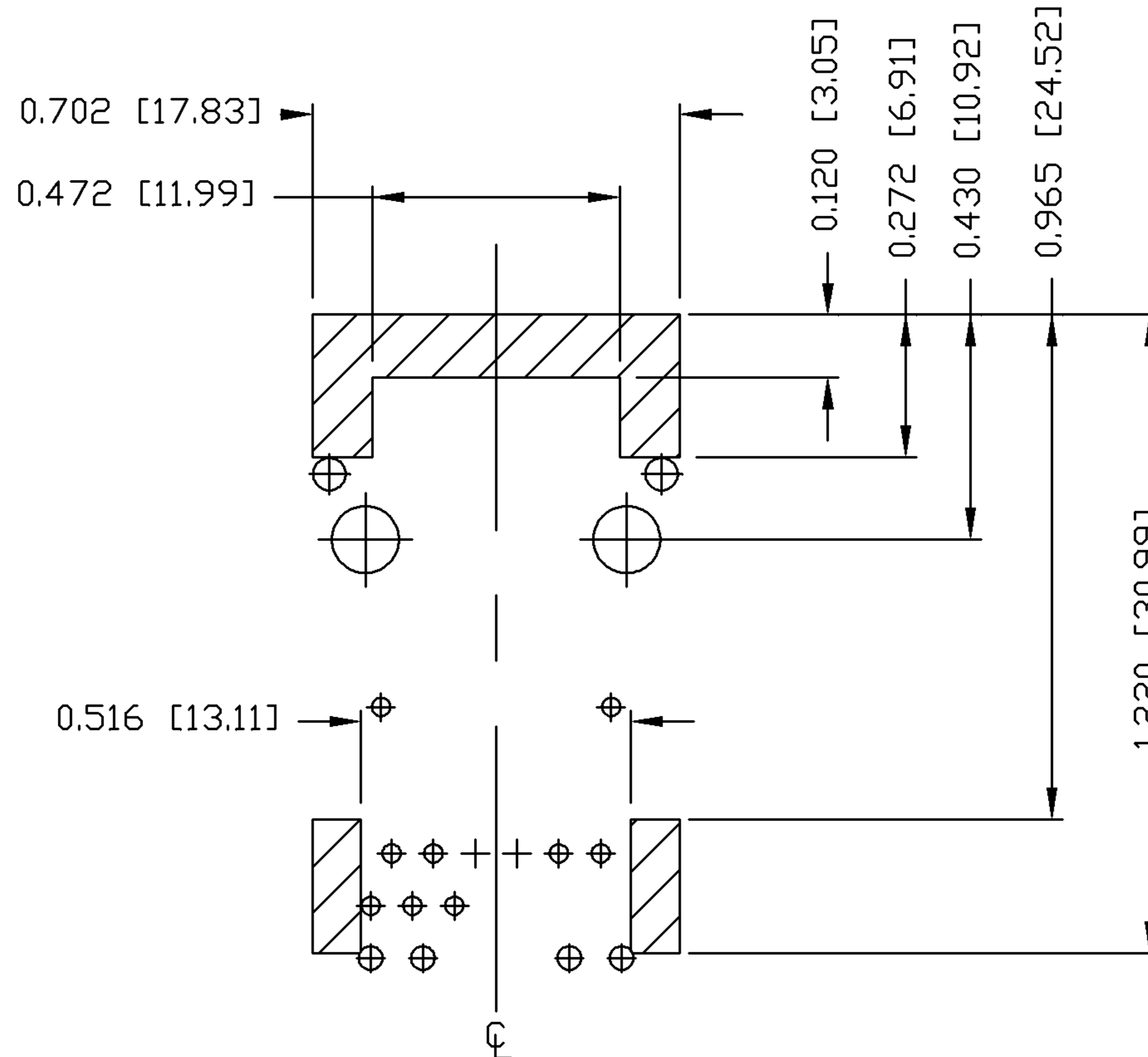


PIN ASSIGNMENT - EACH PORT
COMPONENT SIDE VIEW



ORIGINATED BY ZX HUANG	DATE 07-28-08	TITLE 10/100 MagJack® (VOIP, Tab Up) 0826-1X1T-57-F	PART NO. / DRAWING NO. 08261X1T57-F	STANDARD DIM. TOL. IN INCH	[] METRIC DIM. AS REFERENCE	 COMPONENTS FOR A CONNECTED PLANET
DRAWN BY BL CHEN	DATE 07-28-08		FILE NAME 08261X1T57-F_D.DWG	.X	UNIT : INCH [mm]	
			.XX	SCALE : N/A	SIZE : A4	
			.XXX	±0.004	PAGE : 4	

THE INFORMATION CONTAINED HEREIN IS CONSIDERED "PROPRIETARY" TO BEL FUSE INC. AND SHALL NOT BE COPIED, REPRODUCED OR DISCLOSED WITHOUT THE WRITTEN APPROVAL OF BEL FUSE INC.



NOTES

THE SHADED AREA ON THE CUSTOMER BOARD ARE RECOMMENDED TO BE CLEAR OFF ANY VIA HOLE OR COMPONENT PAD.

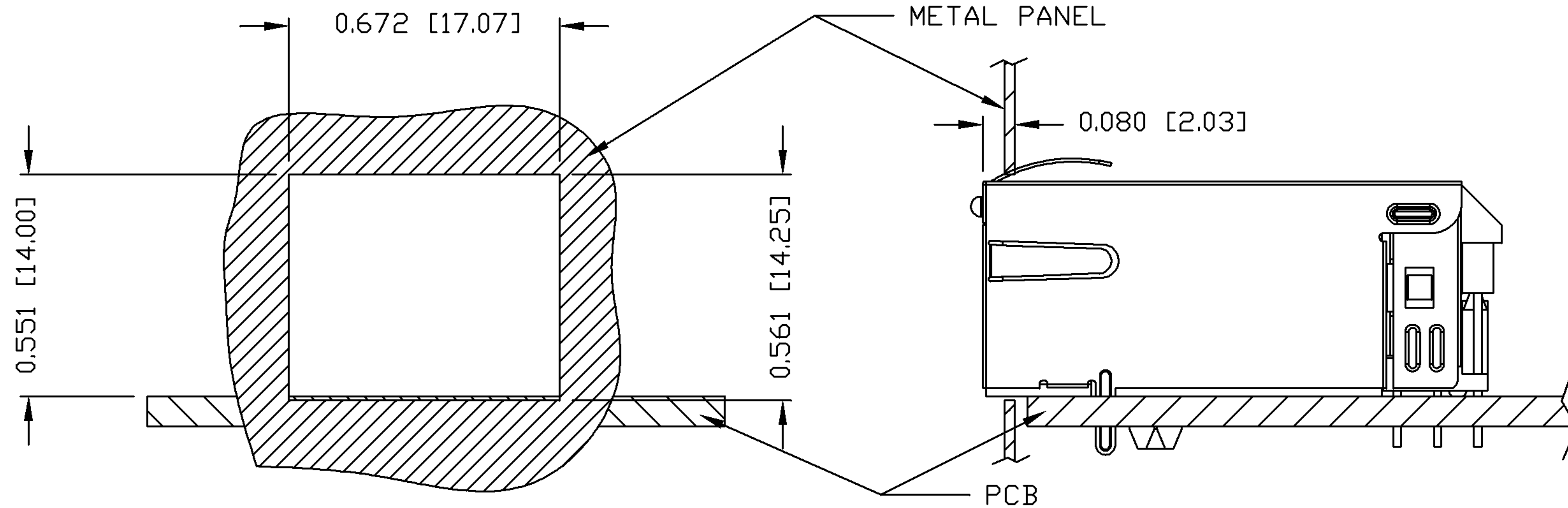
ORIGINATED BY ZX HUANG	DATE 07-28-08	TITLE 10/100 MagJack® (VOIP, Tab Up) 0826-1X1T-57-F	PART NO. / DRAWING NO. 08261X1T57-F		STANDARD DIM. TOL. IN INCH		[] METRIC DIM. AS REFERENCE	
DRAWN BY BL CHEN	DATE 07-28-08		FILE NAME 08261X1T57-F_D.DWG	.X		UNIT : INCH [mm]	REV. : D	 COMPONENTS FOR A CONNECTED PLANET
			.XX		SCALE : N/A	SIZE : A4		
			.XXX	±0.004		PAGE : 5		

THE INFORMATION CONTAINED HEREIN IS CONSIDERED "PROPRIETARY" TO BEL FUSE INC. AND SHALL NOT BE COPIED, REPRODUCED OR DISCLOSED WITHOUT THE WRITTEN APPROVAL OF BEL FUSE INC.

RoHS
2002/95/EC



SUGGESTED PANEL OPENING



NOTE:

THE DISTANCE OF PANEL INSIDE SURFACE RELATIVE TO FRONT SURFACE OF PART IS ONLY A SUGGESTION. IN CASE THIS DISTANCE IS DIFFERENT, THE REQUIRED PANEL OPENING DIMENSIONS CHANGE ACCORDINGLY.

PACKING INFORMATION

PACKING TRAY : 0200-9999-F6 (TOP)

0200-9999-F7 (BOTTOM)

PACKING QUANTITY : 40 PCS FINISHED GOODS PER TRAY

10 TRAYS (400 PCS FINISHED GOODS) PER CARTON BOX

NOTE : CARDBOARDS ARE PLACED BETWEEN LAYERS OF PACKING TRAY INSIDE CARTON BOX (INCLUDE THE UPPERMOST AND LOWERMOST TRAY)

ORIGINATED BY ZX HUANG	DATE 07-28-08	TITLE 10/100 MagJack® (VOIP, Tab Up)	PART NO. / DRAWING NO. 08261X1T57-F	STANDARD DIM. TOL. IN INCH	[] METRIC DIM. AS REFERENCE
DRAWN BY BL CHEN	DATE 07-28-08		FILE NAME 08261X1T57-F_D.DWG	.X .XX .XXX	UNIT : INCH [mm] SCALE : N/A ±0.004

