



Chipsmall Limited consists of a professional team with an average of over 10 year of expertise in the distribution of electronic components. Based in Hongkong, we have already established firm and mutual-benefit business relationships with customers from,Europe,America and south Asia,supplying obsolete and hard-to-find components to meet their specific needs.

With the principle of “Quality Parts,Customers Priority,Honest Operation,and Considerate Service”,our business mainly focus on the distribution of electronic components. Line cards we deal with include Microchip,ALPS,ROHM,Xilinx,Pulse,ON,Everlight and Freescale. Main products comprise IC,Modules,Potentiometer,IC Socket,Relay,Connector.Our parts cover such applications as commercial,industrial, and automotives areas.

We are looking forward to setting up business relationship with you and hope to provide you with the best service and solution. Let us make a better world for our industry!



## Contact us

Tel: +86-755-8981 8866 Fax: +86-755-8427 6832

Email & Skype: info@chipsmall.com Web: www.chipsmall.com

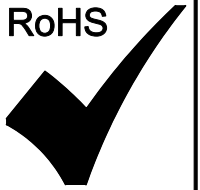
Address: A1208, Overseas Decoration Building, #122 Zhenhua RD., Futian, Shenzhen, China



THE INFORMATION CONTAINED HEREIN IS CONSIDERED "PROPRIETARY" TO BEL FUSE INC. AND SHALL NOT BE COPIED, REPRODUCED OR DISCLOSED WITHOUT THE WRITTEN APPROVAL OF BEL FUSE INC.

| LED 1 POLARITY |        |        | LED 2 POLARITY |        |        |
|----------------|--------|--------|----------------|--------|--------|
| PIN 17         | PIN 18 | COLOR  | PIN 19         | PIN 20 | COLOR  |
| -              | +      | YELLOW | +              | -      | ORANGE |
|                |        |        | -              | +      | GREEN  |

RoHS



ELECTRICAL CHARACTERISTICS @ 25°C

URNS RATIO

TP1 1CT : 1CT ±2%  
TP2 1CT : 1CT ±2%

OCL @ 100kHz/100mVRMS

FOR CHANNEL 1 AND CHANNEL 2  
11mA DC BIAS 350µH MIN.  
Compliant to IEEE 802.3at specification

INS. LOSS

0.1MHz TO 1MHz -1.1 dB MAX  
1MHz TO 65MHz -0.8 dB MAX  
65MHz TO 100MHz -1.2 dB MAX

RET. LOSS (MIN)

0.5MHz-40MHz -18 dB  
40MHz-100MHz -12+20LOG(f/80MHz) dB

CM TO CM REJ

100kHz - 100MHz -30 dB MIN

CM TO DM REJ

100kHz - 100MHz -35 dB MIN

HIPOT (Isolation Voltage): 2250 VDC

100% OF PRODUCTION TESTED TO COMPLY WITH  
IEEE 802.3 ISOLATION REQUIREMENTS.

BALANCED DC LINE CURRENT 720 mA MAX. @ 57 VDC CONTINUOUS

1.2 A MAX. @ 57 VDC FOR 200 MILLISECONDS

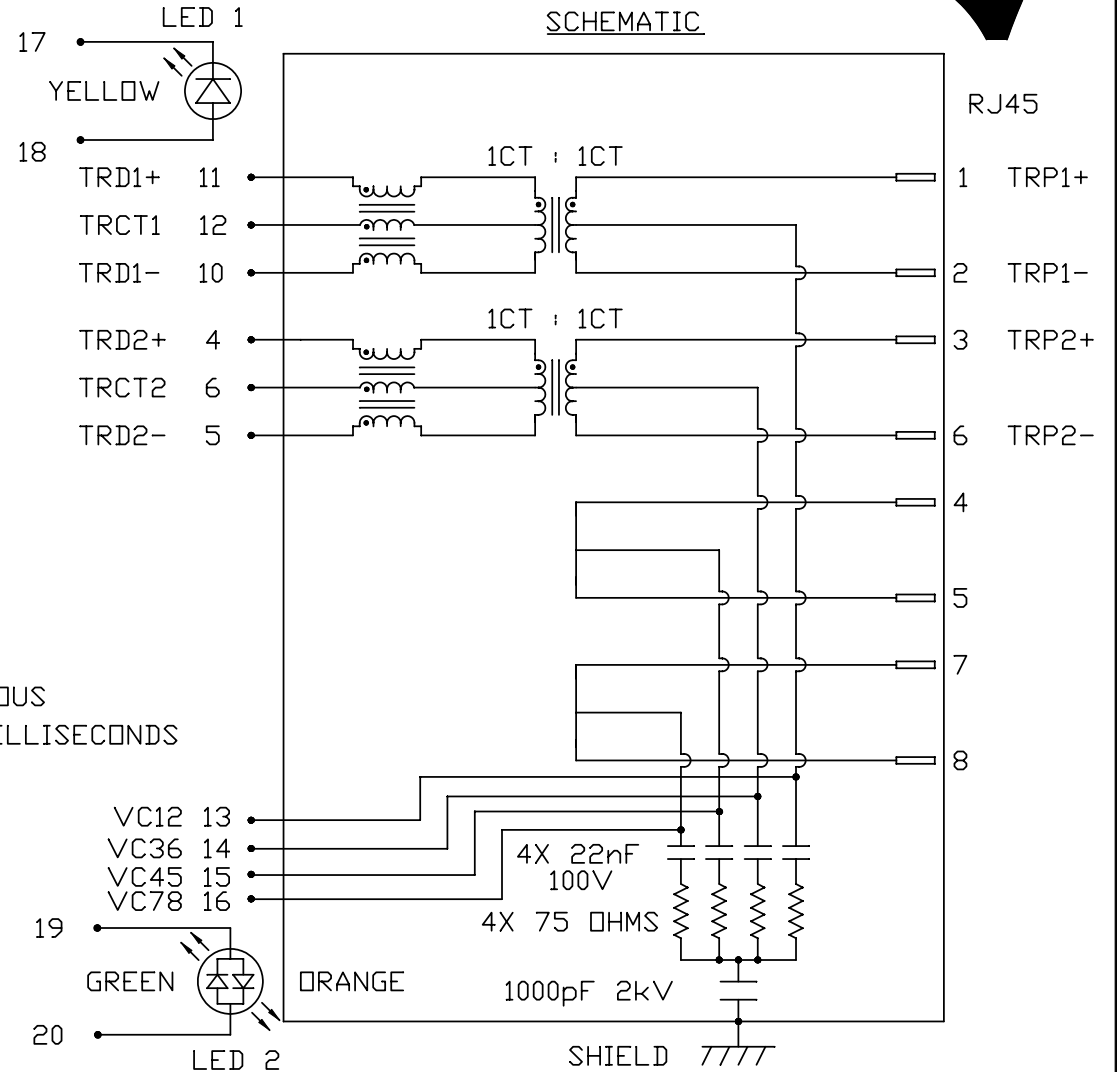
LED 1

VF (FORWARD VOLTAGE) IF=20mA YELLOW 2.1V TYP.  
λD (DOMINANT WAVELENGTH) IF=20mA YELLOW 590nm TYP.

LED 2

VF (FORWARD VOLTAGE) IF=20mA GREEN 2.2V TYP.  
ORANGE 2.0V TYP.  
λD (DOMINANT WAVELENGTH) IF=20mA GREEN 565nm TYP.  
ORANGE 610nm TYP.

OPERATING TEMPERATURE: -40°C TO 85°C



| ORIGINATED BY | DATE       |
|---------------|------------|
| CHOW WANCHUNG | 2012-09-20 |
| DRAWN BY      | DATE       |
| TAN QIGUANG   | 2012-09-20 |

| TITLE     | 10/100 MagJack®<br>(PoE, Extended Temperature)   |
|-----------|--|
| FILE NAME | 0826-1X1T-GJ-F<br>PATENTED<br>08261X1TGJ-F_B.DWG |

| PART NO. / DRAWING NO.     | 08261X1TGJ-F      |
|----------------------------|-------------------|
| STANDARD DIM. TOL. IN INCH | .X<br>.XX<br>.XXX |

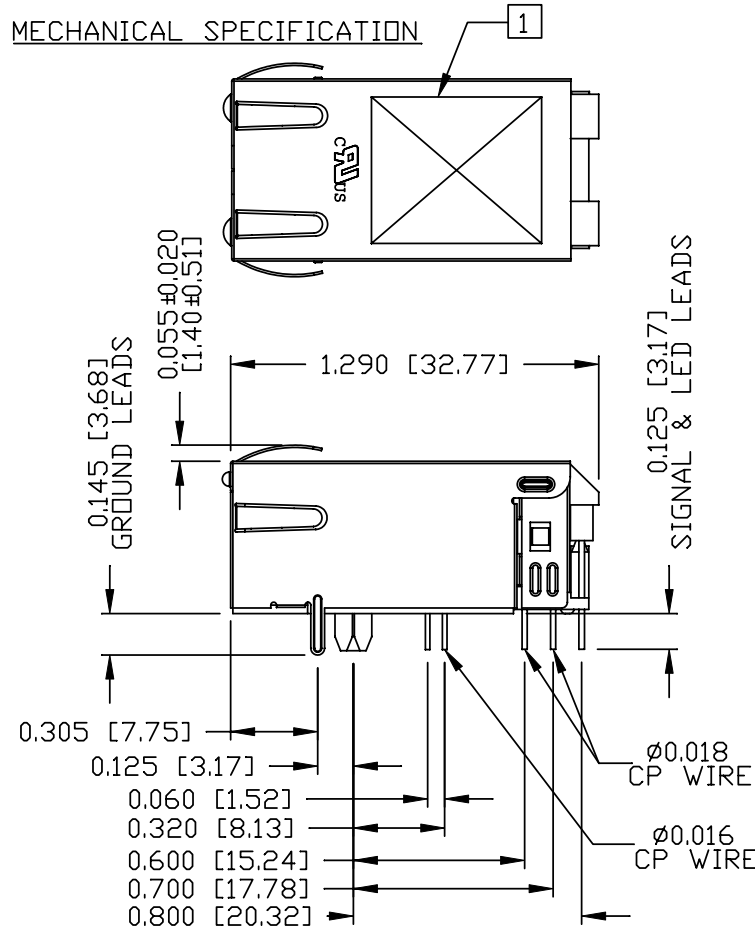
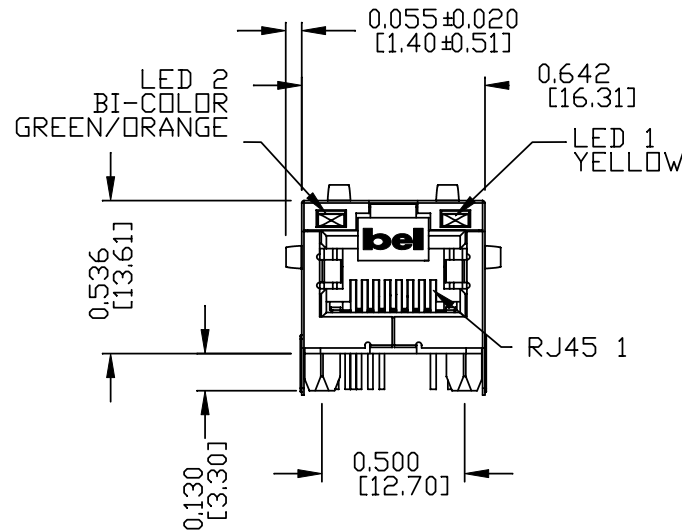
| [ ] METRIC DIM. AS REFERENCE | UNIT : INCH [mm]<br>SCALE : N/A |
|------------------------------|---------------------------------|
| REV. :                       | B                               |
| SIZE :                       | A4                              |
| PAGE :                       | 2                               |



THE INFORMATION CONTAINED HEREIN IS CONSIDERED "PROPRIETARY" TO BEL FUSE INC. AND SHALL NOT BE COPIED, REPRODUCED OR DISCLOSED WITHOUT THE WRITTEN APPROVAL OF BEL FUSE INC.

MECHANICAL SPECIFICATION

RoHS



NOTES:

- PLASTIC HOUSING: THERMOPLASTIC PA  
FLAMMABILITY RATING UL 94V-0
- CONTACTS: 50 MICRO-INCH HARD GOLD PLATING  
OR EQUIVALENT.
- OUTPUT PINS: TIN-COATED COPPER WIRE, DIA 0.016 AND DIA 0.018 INCH.
- METAL SHIELD: NICKEL PLATED ON COPPER ALLOY.  
(ALL GROUND LEADS ARE SOLDER DIPPED)

1. MARK PART WITH MFG LOGO, MFG NAME, PART NUMBER, DATE CODE AND PATENTED.

- 1. THE PRODUCT IS RoHS COMPLIANT.
- 2. THE PRODUCT IS PATENTED. THE PATENT NUMBER ARE U.S. PAT. 5,736,910 AND U.S. PAT. 7,123,117.
- 3. JACK CAVITY CONFORMS TO FCC RULES AND REGULATIONS.
- 4. THE PRODUCT IS PATENTED. THE PATENT NUMBER ARE U.S. PAT. 5,736,910 AND U.S. PAT. 7,123,117.

|                             |                    |  |  |                            |        |                              |           |   |
|-----------------------------|--------------------|--|--|----------------------------|--------|------------------------------|-----------|---|
| ORIGINATED BY<br>ANTON LIAO | DATE<br>2012-09-20 | TITLE<br>10/100 MagJack®<br>(PoEp, Extended Temperature) | PART NO. / DRAWING NO.<br>08261X1TGJ-F | STANDARD DIM. TOL. IN INCH |        | [ ] METRIC DIM. AS REFERENCE |           | <br>COMPONENTS FOR A<br>CONNECTED<br>PLANET |
|                             |                    |  |  | .X                         |        | UNIT : INCH [mm]             | REV. : B  |   |
| DRAWN BY<br>HE ZHEN         | DATE<br>2012-09-20 | 0826-1X1T-GJ-F<br>PATENTED                               | FILE NAME<br>08261X1TGJ-F_B.DWG        | .XX                        |        | SCALE : N/A                  | SIZE : A4 |   |
|                             |                    |  |  | .XXX                       | ±0.010 |                              | PAGE : 3  |   |

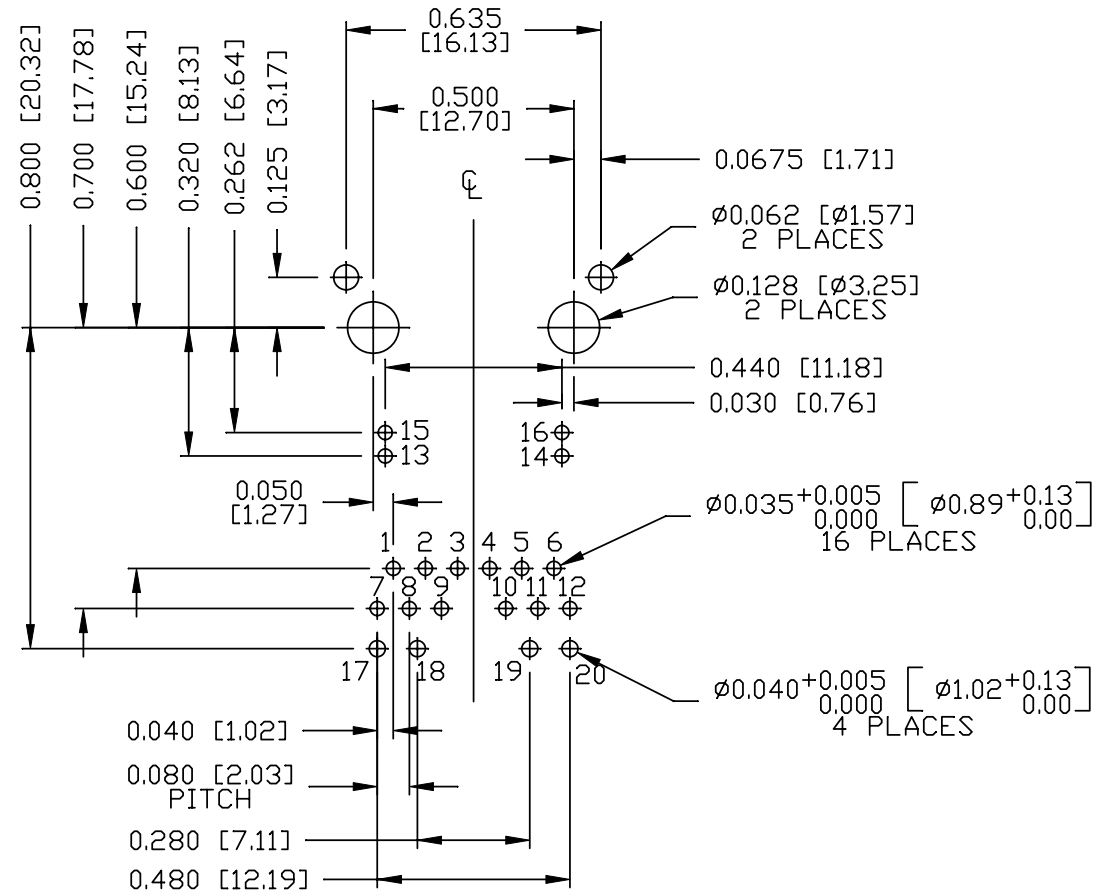
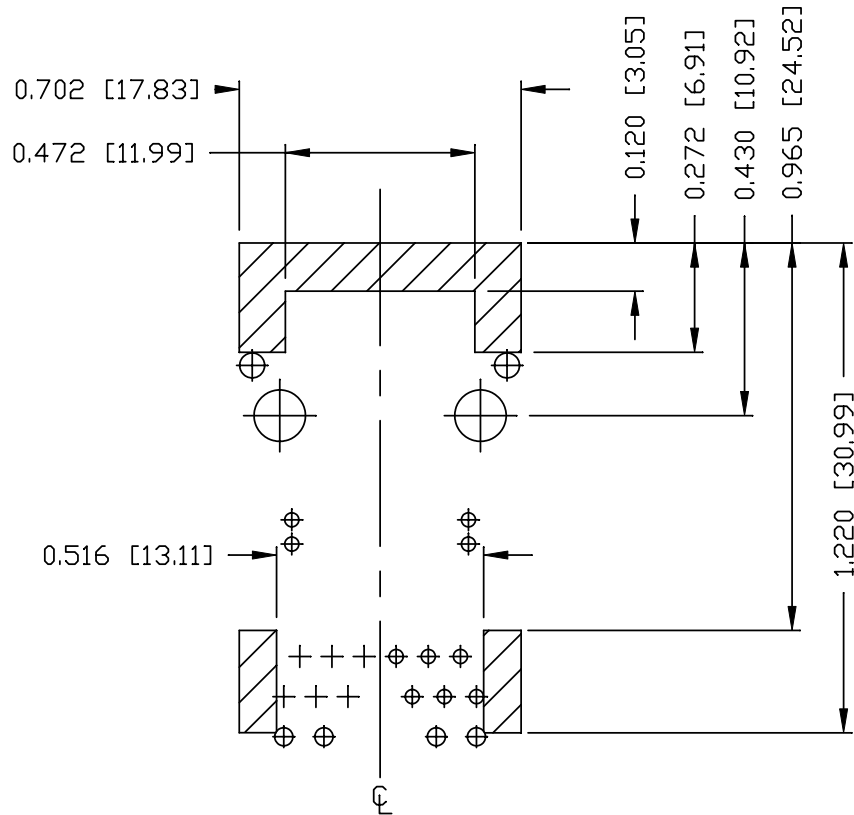
THE INFORMATION CONTAINED HEREIN IS CONSIDERED "PROPRIETARY" TO BEL FUSE INC. AND SHALL NOT BE COPIED, REPRODUCED OR DISCLOSED WITHOUT THE WRITTEN APPROVAL OF BEL FUSE INC.

RoHS



RECOMMENDED PCB FOOTPRINT

COMPONENT SIDE VIEW



NOTES

THE SHADED AREA ON THE CUSTOMER BOARD ARE RECOMMENDED TO BE CLEAR OFF ANY VIA HOLE OR COMPONENT PAD.

|                             |                    |  |  |                            |        |                              |           |
|-----------------------------|--------------------|--|--|----------------------------|--------|------------------------------|-----------|
| ORIGINATED BY<br>ANTON LIAO | DATE<br>2012-09-20 | TITLE<br>10/100 MagJack®<br>(PoEp, Extended Temperature) | PART NO. / DRAWING NO.<br>08261X1TGJ-F | STANDARD DIM. TOL. IN INCH |        | [ ] METRIC DIM. AS REFERENCE |           |
|                             |                    |  |  | .X                         |        | UNIT : INCH [mm]             | REV. : B  |
| DRAWN BY<br>HE ZHEN         | DATE<br>2012-09-20 | 0826-1X1T-GJ-F<br>PATENTED                               | FILE NAME<br>08261X1TGJ-F_B.DWG        | .XX                        |        | SCALE : N/A                  | SIZE : A4 |
|                             |                    |  |  | .XXX                       | ±0.004 |                              | PAGE : 4  |

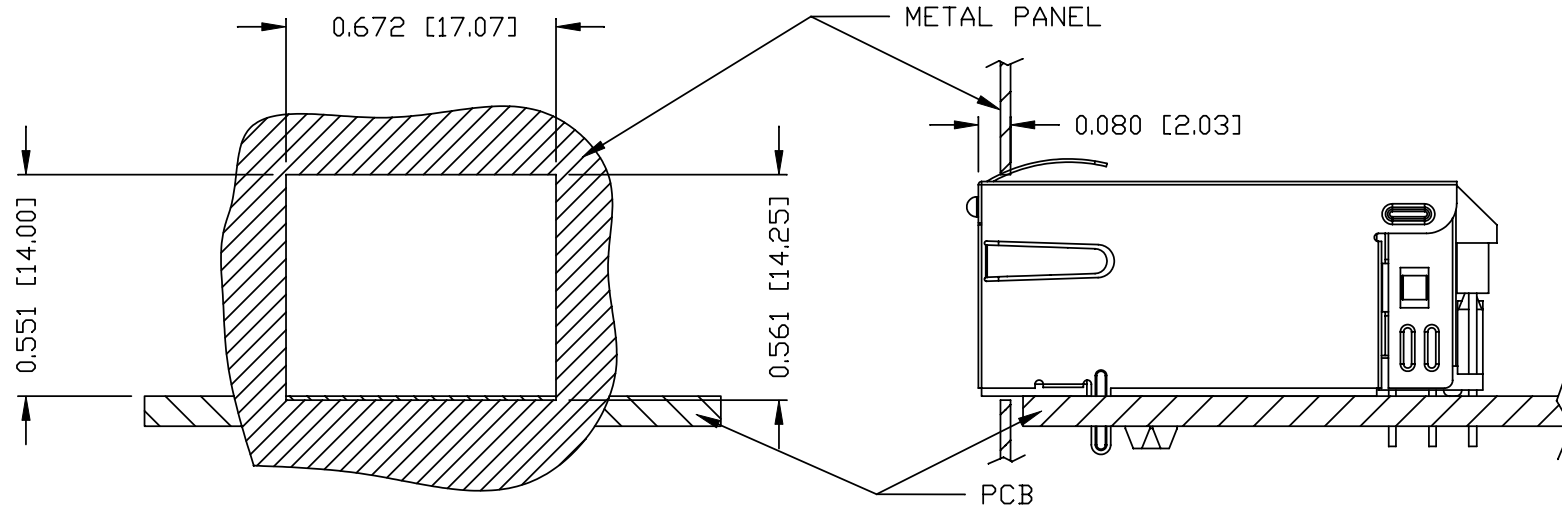


THE INFORMATION CONTAINED HEREIN IS CONSIDERED "PROPRIETARY" TO BEL FUSE INC. AND SHALL NOT BE COPIED, REPRODUCED OR DISCLOSED WITHOUT THE WRITTEN APPROVAL OF BEL FUSE INC.

RoHS



SUGGESTED PANEL OPENING



NOTE:

THE DISTANCE OF PANEL INSIDE SURFACE RELATIVE TO FRONT SURFACE OF PART IS ONLY A SUGGESTION. IN CASE THIS DISTANCE IS DIFFERENT, THE REQUIRED PANEL OPENING DIMENSIONS CHANGE ACCORDINGLY.

PACKING INFORMATION

PACKING TRAY : 0200-9999-F6 (TOP)

0200-9999-F7 (BOTTOM)

PACKING QUANTITY : 40 PCS FINISHED GOODS PER TRAY

10 TRAYS (400 PCS FINISHED GOODS) PER CARTON BOX

NOTE : CARDBOARDS ARE PLACED BETWEEN LAYERS OF PACKING TRAY INSIDE CARTON BOX (INCLUDE THE UPPERMOST AND LOWERMOST TRAY)

|                             |                     |  |  |                               |                                 |                              |  |  |
|-----------------------------|---------------------|--|--|-------------------------------|---------------------------------|------------------------------|--|--|
| ORIGINATED BY<br>ANTON LIAD | DATE<br>2012-09-20  | TITLE<br>10/100 MagJack®<br>(PoEp, Extended Temperature) | PART NO. / DRAWING NO.<br>08261X1TGJ-F | STANDARD DIM.<br>TOL. IN INCH |                                 | [ ] METRIC DIM. AS REFERENCE |  | bel<br>COMPONENTS FOR A<br>CONNECTED<br>PLANET |
|                             | DRAWN BY<br>HE ZHEN |  |  | DATE<br>2012-09-20            | FILE NAME<br>08261X1TGJ-F_B.DWG | .X<br>.XX<br>.XXX            | UNIT : INCH [mm]<br>SCALE : N/A<br>⊕ ← |  |
|                             |                     |  |  |                               | ±0.004                          |                              |  |  |