



Chipsmall Limited consists of a professional team with an average of over 10 year of expertise in the distribution of electronic components. Based in Hongkong, we have already established firm and mutual-benefit business relationships with customers from,Europe,America and south Asia,supplying obsolete and hard-to-find components to meet their specific needs.

With the principle of “Quality Parts,Customers Priority,Honest Operation,and Considerate Service”,our business mainly focus on the distribution of electronic components. Line cards we deal with include Microchip,ALPS,ROHM,Xilinx,Pulse,ON,Everlight and Freescale. Main products comprise IC,Modules,Potentiometer,IC Socket,Relay,Connector.Our parts cover such applications as commercial,industrial, and automotives areas.

We are looking forward to setting up business relationship with you and hope to provide you with the best service and solution. Let us make a better world for our industry!



Contact us

Tel: +86-755-8981 8866 Fax: +86-755-8427 6832

Email & Skype: info@chipsmall.com Web: www.chipsmall.com

Address: A1208, Overseas Decoration Building, #122 Zhenhua RD., Futian, Shenzhen, China



THE INFORMATION CONTAINED HEREIN IS CONSIDERED 'PROPRIETARY' TO BEL FUSE INC. AND SHALL NOT BE COPIED, REPRODUCED OR DISCLOSED WITHOUT THE WRITTEN APPROVAL OF BEL FUSE INC.

LED1 POLARITY			LED2 POLARITY		
PIN 13	PIN 14	COLOR	PIN 15	PIN 16	COLOR
/	/	/	+	-	ORANGE
-	+	YELLOW	-	+	GREEN

RoHS
2002/95/EC

RJ45

ELECTRICAL CHARACTERISTICS @ 25°C

URNS RATIO

TP1	1CT : 1CT ±2%
TP2	1CT : 1CT ±2%
TP3	1CT : 1CT ±2%
TP4	1CT : 1CT ±2%

□CL @ 100kHz/100mVRMS

8mA DC BIAS 350μH MIN.

INS. LOSS

0.1MHz TO 1MHz	-1.1 dB MAX
1MHz TO 65MHz	-0.5 dB MAX
65MHz TO 100MHz	-0.8 dB MAX
100MHz TO 125MHz	-1.2 dB MAX

RET. LOSS (MIN) @ 100 ΩHMS ±15%

0.5MHz-40MHz	-18 dB
40MHz-100MHz	-12+20LOG(f/80MHz) dB

CM TO CM REJ

100kHz - 100MHz -30 dB MIN

CM TO DM REJ

100kHz - 100MHz -35 dB MIN

HIPOT (Isolation Voltage):

1500 Vrms
100% OF PRODUCTION TESTED TO COMPLY WITH
IEEE 802.3 ISOLATION REQUIREMENTS.

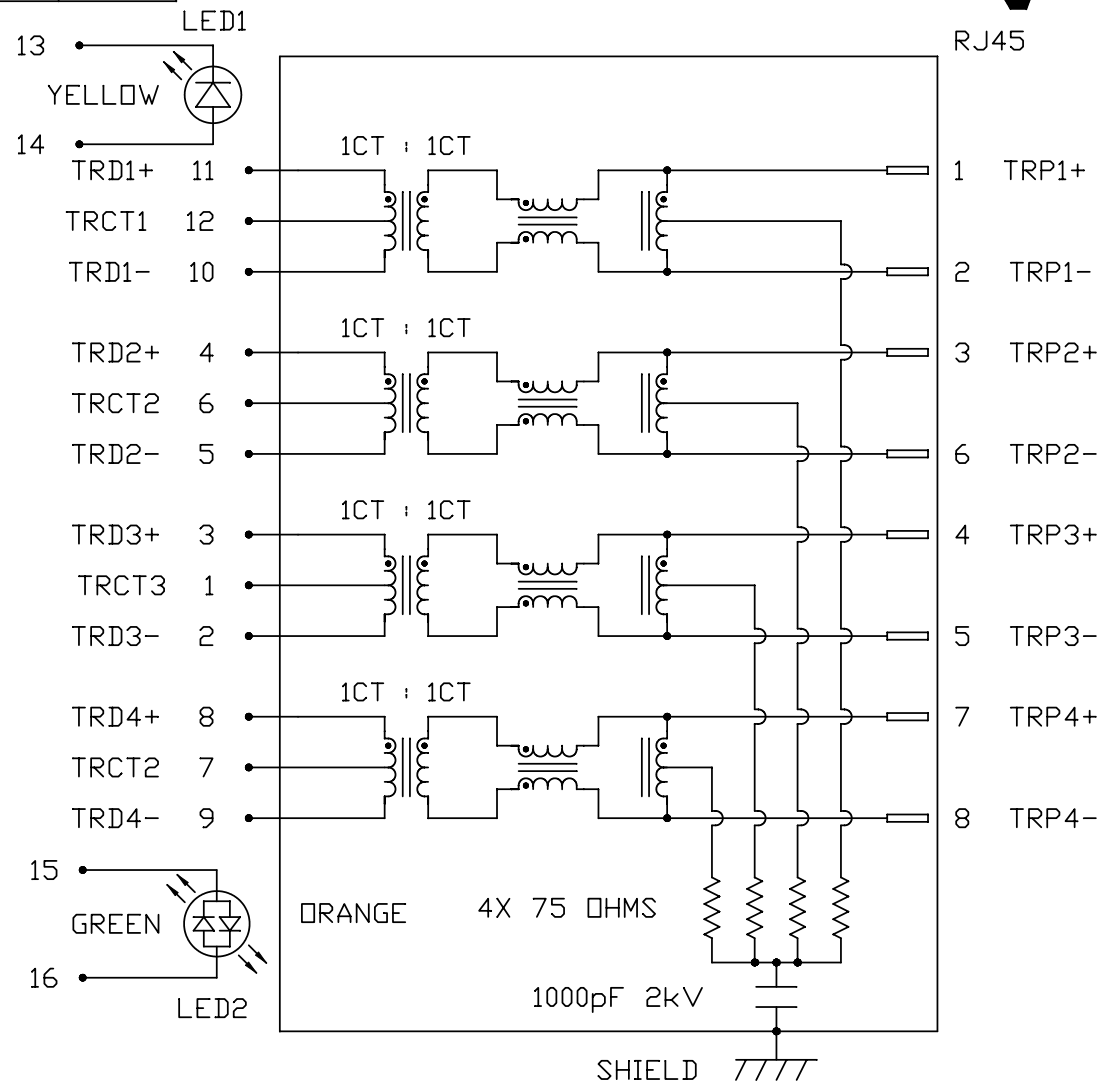
LED 1

VF (FORWARD VOLTAGE) IF=20mA YELLOW 2.1V TYP.
λ D (DOMINANT WAVELENGTH) IF=20mA YELLOW 590nm TYP.

LED 2

VF (FORWARD VOLTAGE) IF=20mA GREEN 2.2V TYP.
ORANGE 2.0V TYP.
λ D (DOMINANT WAVELENGTH) IF=20mA GREEN 565nm TYP.
ORANGE 610nm TYP.

SCHEMATIC



ORIGINATED BY	DATE	TITLE	PART NO. / DRAWING NO.	STANDARD DIM. TOL. IN INCH	[] METRIC DIM. AS REFERENCE	
CHOW WANGCHUNG	06-16-09				UNIT : INCH [mm]	REV. : F
DRAWN BY	DATE	0826-1X4T-23-F PATENTED	FILE NAME	.X .XX .XXX	SCALE : N/A	SIZE : A4
LI YONGFENG	06-16-09				08261X4T23-F_F.DWG	⊕

1X4 gigabit MagJack® (12 cores, Tab Up)	08261X4T23-F
0826-1X4T-23-F PATENTED	08261X4T23-F_F.DWG

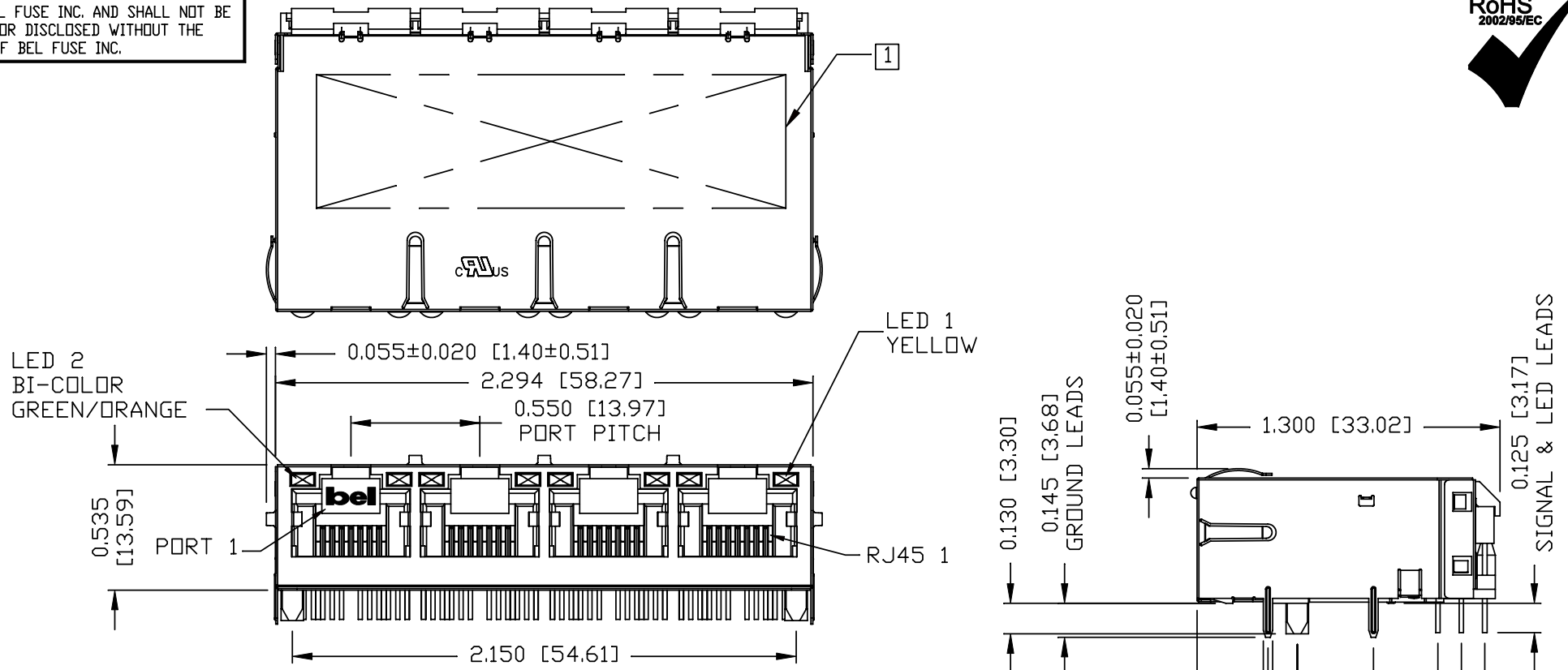
08261X4T23-F	UNIT : INCH [mm]	REV. : F
0826-1X4T-23-F PATENTED	SCALE : N/A	SIZE : A4
08261X4T23-F_F.DWG	⊕	PAGE : 2

STANDARD DIM. TOL. IN INCH	[] METRIC DIM. AS REFERENCE
.X	UNIT : INCH [mm]
.XX	REV. : F
.XXX	SCALE : N/A
	SIZE : A4
	PAGE : 2

bel
COMPONENTS FOR A
CONNECTED
PLANET

THE INFORMATION CONTAINED HEREIN IS CONSIDERED "PROPRIETARY" TO BEL FUSE INC. AND SHALL NOT BE COPIED, REPRODUCED OR DISCLOSED WITHOUT THE WRITTEN APPROVAL OF BEL FUSE INC.

RoHS
2002/95/EC



NOTES:

- PLASTIC HOUSING: THERMOPLASTIC PBT
FLAMMABILITY RATING UL 94V-0
- CONTACTS PLATING: 50 MICRO-INCH HARD GOLD PLATING
- PINS: TIN-COATED COPPER WIRE, DIA 0.018 INCH.
- METAL SHIELD: NICKEL PLATED ON COPPER ALLOY.
(ALL GROUND LEADS ARE SOLDER DIPPED)

① MARK PART WITH MFG LOGO, MFG NAME, PART NUMBER, DATE CODE.
AND "PATENTED" MARKING, THE PRODUCT IS PATENTED,
THE PATENTED NUMBER IS U.S. PAT. 5,736,910.
JACK CAVITY CONFORMS TO FCC RULES AND REGULATIONS.

UL USUL RECOGNIZED - FILE #E196366 AND E169987.
RoHS COMPLIANCE, PER EU DIRECTIVE 2002/95/EC.

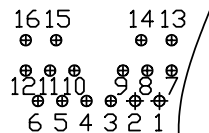
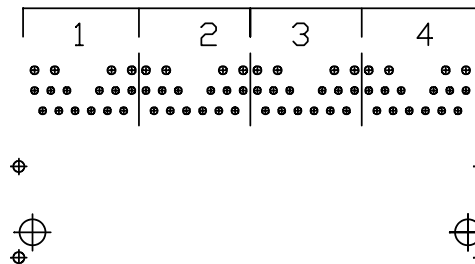
ORIGINATED BY	DATE	TITLE	PART NO. / DRAWING NO.	STANDARD DIM. TOL. IN INCH	[] METRIC DIM. AS REFERENCE	 COMPONENTS FOR A CONNECTED PLANET	
ZX HUANG	06-16-09	1x4 gigabit MagJack® (12 cores, Tab Up) 0826-1X4T-23-F PATENTED	08261X4T23-F	.X	UNIT : INCH [mm]		REV. : F
DRAWN BY	DATE			.XX	SCALE : N/A		SIZE : A4
BL CHEN	06-16-09			.XXX	±0.010		PAGE : 3

THE INFORMATION CONTAINED HEREIN IS CONSIDERED "PROPRIETARY" TO BEL FUSE INC. AND SHALL NOT BE COPIED, REPRODUCED OR DISCLOSED WITHOUT THE WRITTEN APPROVAL OF BEL FUSE INC.

RoHS
2002/95/EC

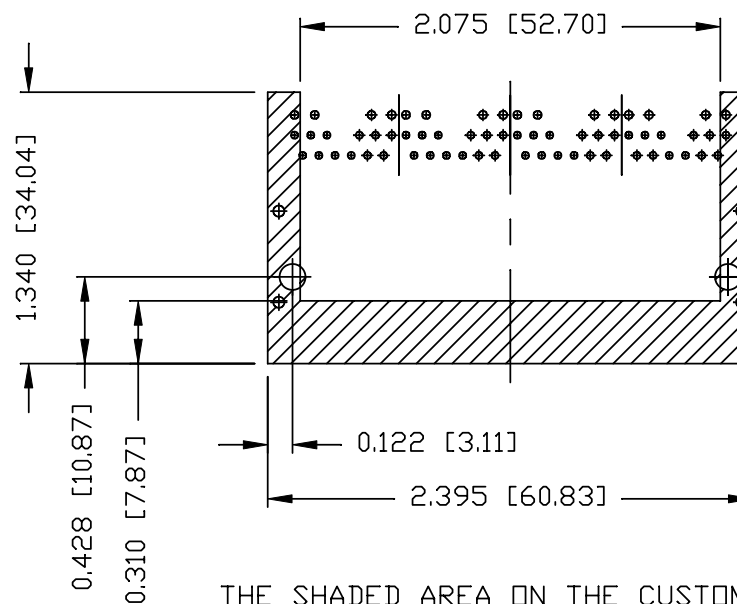


PORT ASSIGNMENT
(COMPONENT SIDE VIEW)



PIN-OUT INFORMATION
(COMPONENT SIDE VIEW)

12	TRCT1		
11	TRD1+		
10	TRD1-		
9	TRD4-		
8	TRD4+		
7	TRCT2		
6	TRCT2		
5	TRD2-		
4	TRD2+	16	ORG (-) GRN (+)
3	TRD3+	15	ORG (+) GRN (-)
2	TRD3-	14	YELLOW (+)
1	TRCT3	13	YELLOW (-)



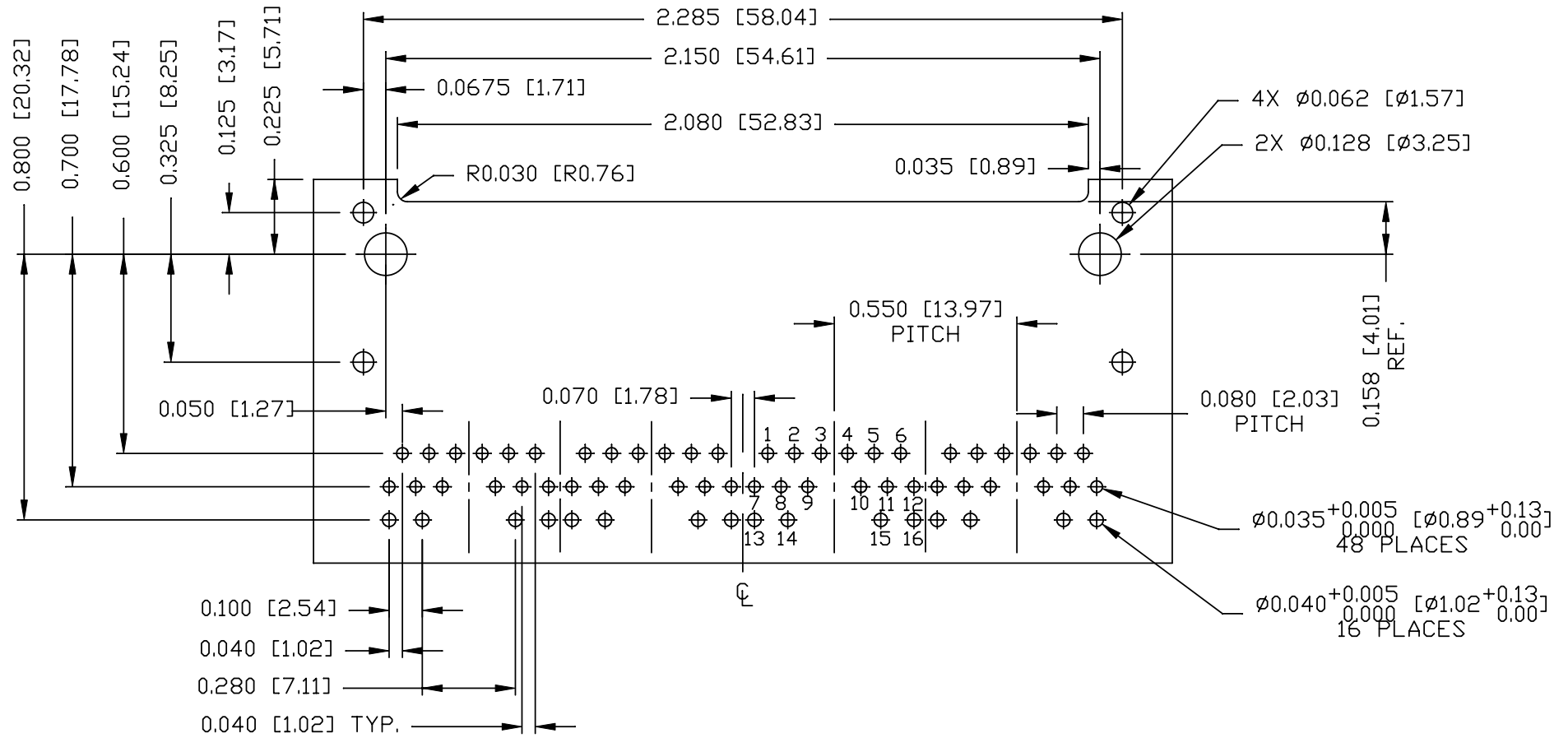
THE SHADED AREA ON THE CUSTOMER BOARD ARE RECOMMENDED TO BE CLEAR OFF ANY VIA HOLE OR COMPONENT PAD.

ORIGINATED BY	DATE	TITLE	PART NO. / DRAWING NO.	STANDARD DIM. TOL. IN INCH	[] METRIC DIM. AS REFERENCE	REV. :
ZX HUANG	06-16-09	1X4 gigabit MagJack® (12 cores, Tab Up) 0826-1X4T-23-F PATENTED	08261X4T23-F	.X	UNIT : INCH [mm]	F
DRAWN BY	DATE			.XX	SCALE : N/A	SIZE : A4
BL CHEN	06-16-09			.XXX	±0.004	PAGE : 4



THE INFORMATION CONTAINED HEREIN IS CONSIDERED "PROPRIETARY" TO BEL FUSE INC. AND SHALL NOT BE COPIED, REPRODUCED OR DISCLOSED WITHOUT THE WRITTEN APPROVAL OF BEL FUSE INC.

RoHS
2002/95/EC



RECOMMENDED PCB FOOTPRINT

COMPONENT SIDE VIEW

ORIGINATED BY	DATE	TITLE 1X4 gigabit MagJack® (12 cores, Tab Up) 0826-1X4T-23-F PATENTED	PART NO. / DRAWING NO.	STANDARD DIM.	[] METRIC DIM. AS REFERENCE	
ZX HUANG	06-16-09		08261X4T23-F	TOL. IN INCH	UNIT : INCH [mm]	REV. : F
DRAWN BY	DATE		FILE NAME	.X	SCALE : N/A	SIZE : A4
BL CHEN	06-16-09		08261X4T23-F_F.DWG	.XX	±0.004	PAGE : 5
				.XXX		

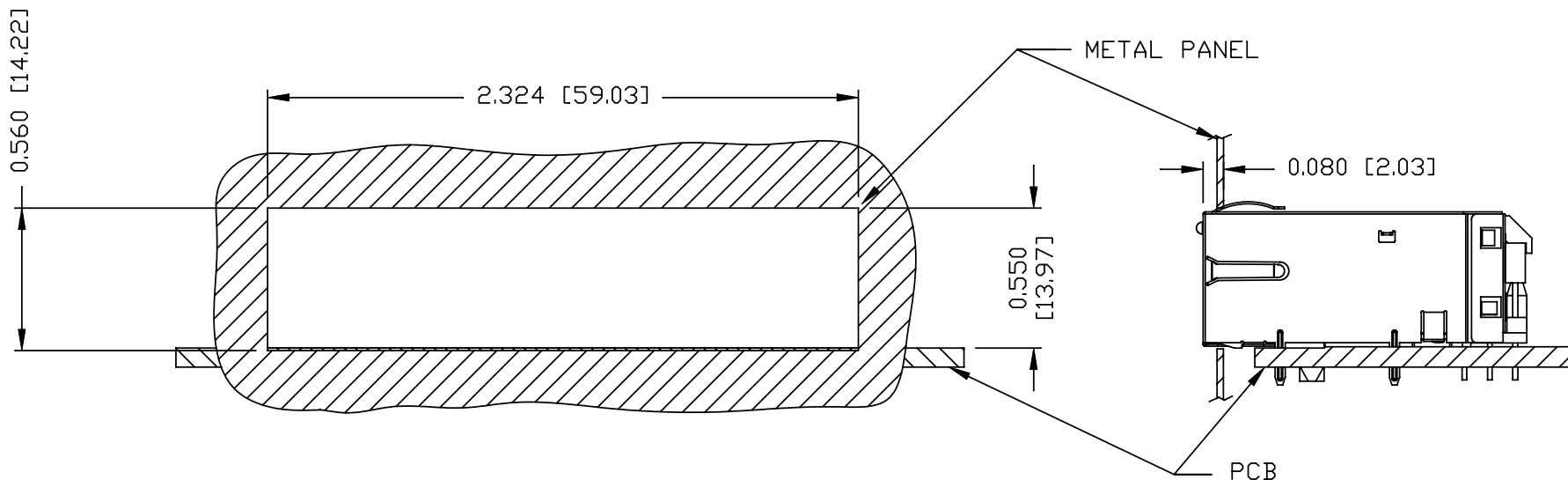


THE INFORMATION CONTAINED HEREIN IS CONSIDERED "PROPRIETARY" TO BEL FUSE INC. AND SHALL NOT BE COPIED, REPRODUCED OR DISCLOSED WITHOUT THE WRITTEN APPROVAL OF BEL FUSE INC.

RoHS
2002/95/EC



SUGGESTED PANEL OPENING



NOTES:

THE DISTANCE OF PANEL INSIDE SURFACE RELATIVE TO FRONT SURFACE OF PART IS ONLY A SUGGESTION. IN CASE THIS DISTANCE IS DIFFERENT, THE REQUIRED PANEL OPENING DIMENSIONS CHANGE ACCORDINGLY.

PACKING INFORMATION

PACKING TRAY : 0200-9999-B4 (TOP)
0200-9999-B5 (BOTTOM)

PACKING QUANTITY : 24 PCS FINISHED GOODS PER TRAY
10 TRAYS (240 PCS FINISHED GOODS) PER CARTON BOX

NOTE : CARDBOARDS ARE PLACED BETWEEN LAYERS OF PACKING TRAY INSIDE CARTON BOX
(INCLUDE THE UPPERMOST AND LOWERMOST TRAY)

ORIGINATED BY	DATE	TITLE	PART NO. / DRAWING NO.	STANDARD DIM. TOL. IN INCH	[] METRIC DIM. AS REFERENCE
ZX HUANG	06-16-09	1X4 gigabit MagJack® (12 cores, Tab Up) 0826-1X4T-23-F PATENTED	08261X4T23-F	.X	UNIT : INCH [mm] REV. : F
DRAWN BY	DATE			.XX	SCALE : N/A SIZE : A4
BL CHEN	06-16-09		FILE NAME 08261X4T23-F_F.DWG	.XXX ±0.004	⊕ — □ — PAGE : 6

