



Chipsmall Limited consists of a professional team with an average of over 10 year of expertise in the distribution of electronic components. Based in Hongkong, we have already established firm and mutual-benefit business relationships with customers from,Europe,America and south Asia,supplying obsolete and hard-to-find components to meet their specific needs.

With the principle of “Quality Parts,Customers Priority,Honest Operation,and Considerate Service”,our business mainly focus on the distribution of electronic components. Line cards we deal with include Microchip,ALPS,ROHM,Xilinx,Pulse,ON,Everlight and Freescale. Main products comprise IC,Modules,Potentiometer,IC Socket,Relay,Connector.Our parts cover such applications as commercial,industrial, and automotives areas.

We are looking forward to setting up business relationship with you and hope to provide you with the best service and solution. Let us make a better world for our industry!



## Contact us

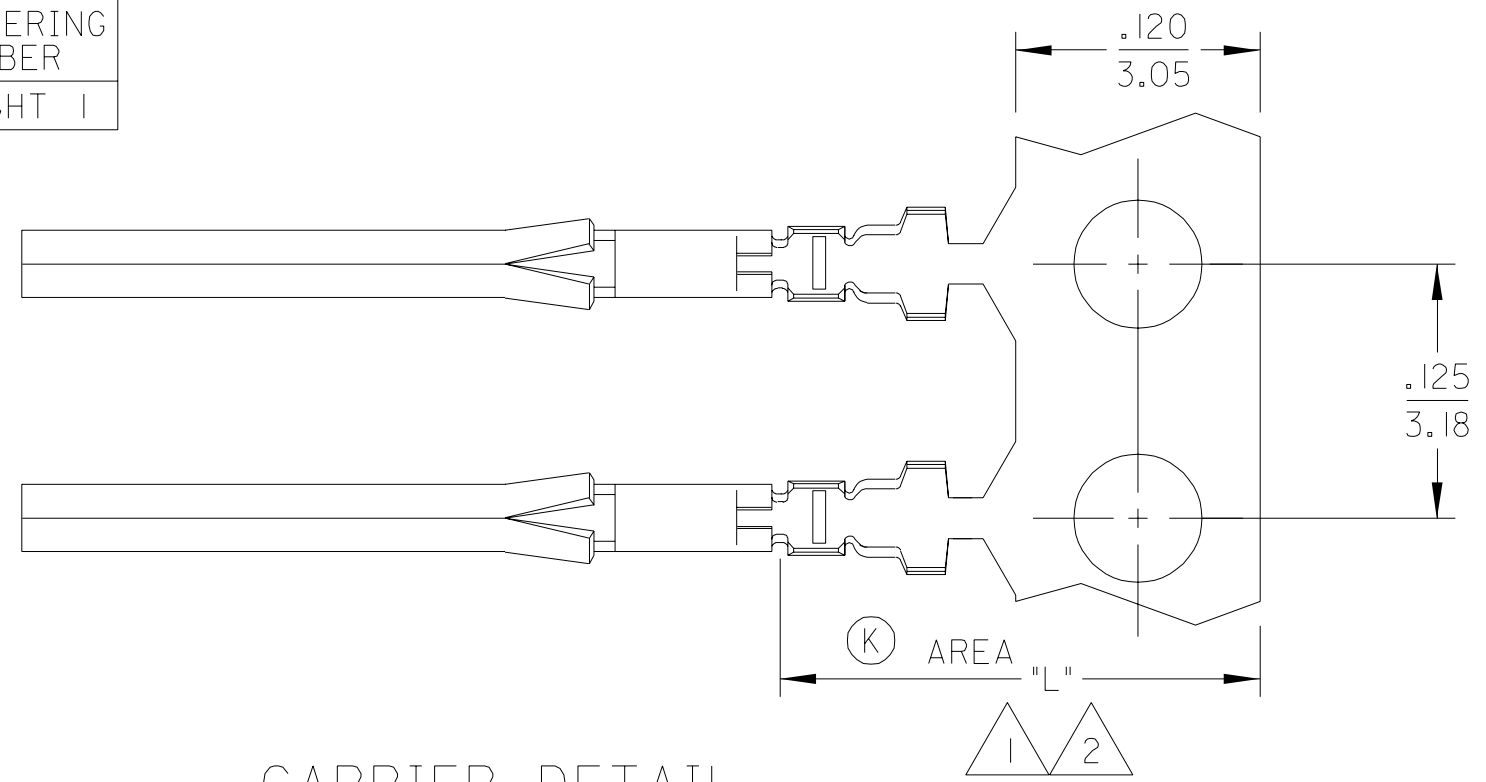
Tel: +86-755-8981 8866 Fax: +86-755-8427 6832

Email & Skype: info@chipsmall.com Web: www.chipsmall.com

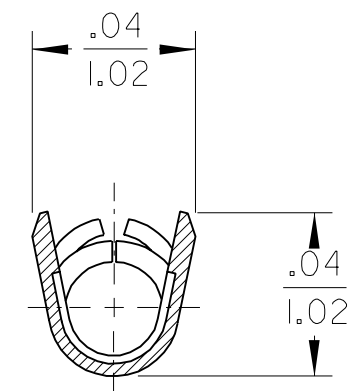
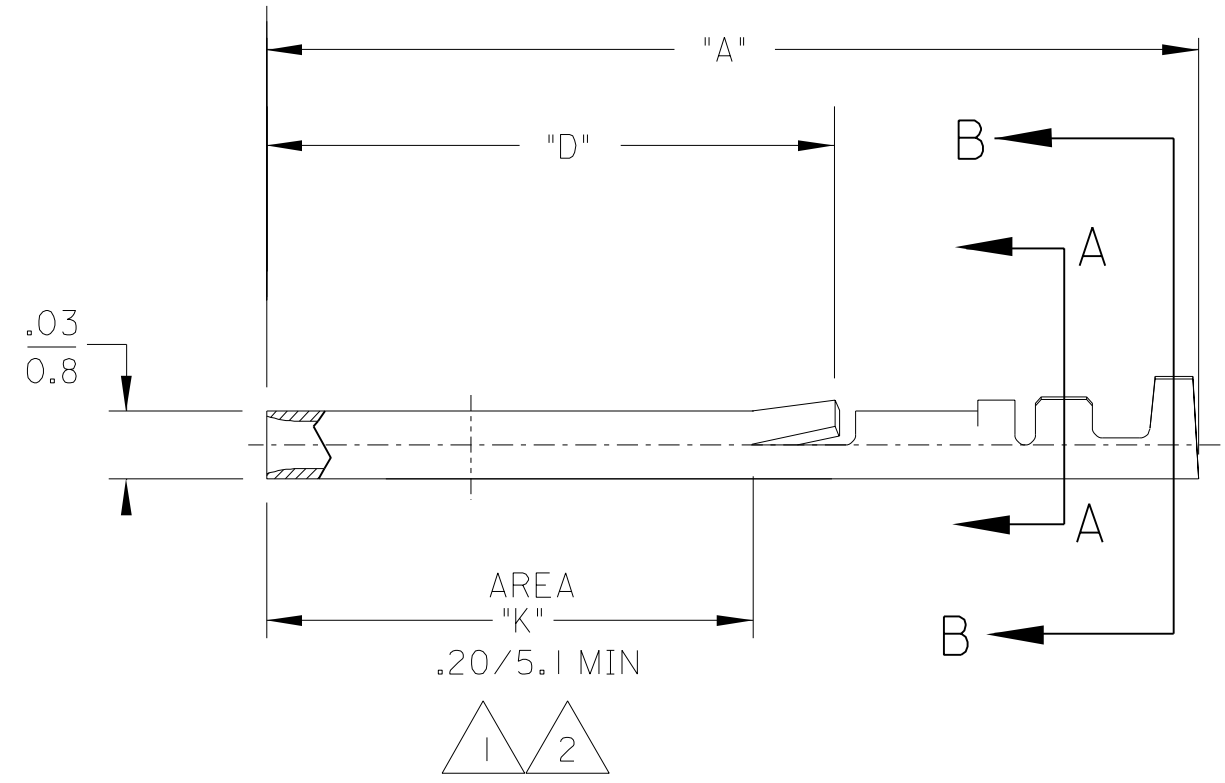
Address: A1208, Overseas Decoration Building, #122 Zhenhua RD., Futian, Shenzhen, China



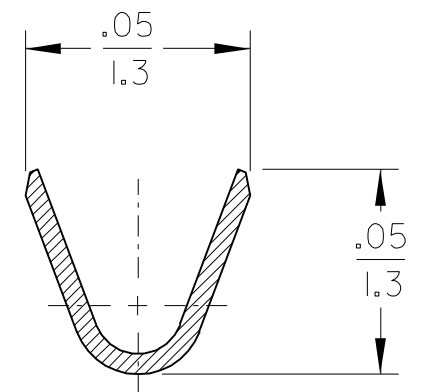
MATERIAL NUMBER	ENGINEERING NUMBER
SEE SHT 1	SEE SHT 1



CARRIER DETAIL



SECTION A-A  
SCALE: NONE



SECTION B-B  
SCALE: NONE

SALES DRAWING

ETC2003-0182	EC NO. ETC2003-0190	QUALITY SYMBOLS
	DRWN: BRE 03/01/30	
K	CH'K: HEB/JAL 03/01/30	MAJOR $\nabla=0$
	APPR: RWD 03/01/30	CRITICAL $\nabla c=0$

GENERAL TOLERANCES: (UNLESS SPECIFIED)	
mm	INCH
4 PLACES $\pm 0.$	$\pm .$
3 PLACES $\pm 0.$	$\pm .005$
2 PLACES $\pm 0.13$	$\pm .010$
1 PLACE $\pm 0.3$	$\pm .$
ANGULAR: $\pm 1/2^\circ$	
DRAFT WHERE APPLICABLE MUST REMAIN WITHIN DIMENSIONS	

SCALE NO: NE	DESIGN UNITS <input type="checkbox"/> mm <input checked="" type="checkbox"/> INCH
DRAWN BY & DATE BRE 02/01/22	
CHECKED BY & DATE HEB 02/01/22	
APPROVED BY & DATE RWD 02/01/22	
CAD FILENAME SD83000002.DGN	MATERIAL NO. SEE CHART

DIMENSIONS: <input type="checkbox"/> mm <input checked="" type="checkbox"/> INCH <input type="checkbox"/> mm ONLY	
THIRD ANGLE PROJECTION	
TITLE: CONTACT, SOCKET	
MOLLEX MOLEX INCORPORATED	
MATERIAL NO. SEE CHART	DRAWING NO. SD-83000-002

SHT	REV
	REVISE ON CAD ONLY
SHEET NO. 2 OF 2	
SIZE B	