



Chipsmall Limited consists of a professional team with an average of over 10 year of expertise in the distribution of electronic components. Based in Hongkong, we have already established firm and mutual-benefit business relationships with customers from,Europe,America and south Asia,supplying obsolete and hard-to-find components to meet their specific needs.

With the principle of "Quality Parts,Customers Priority,Honest Operation,and Considerate Service",our business mainly focus on the distribution of electronic components. Line cards we deal with include Microchip,ALPS,ROHM,Xilinx,Pulse,ON,Everlight and Freescale. Main products comprise IC,Modules,Potentiometer,IC Socket,Relay,Connector.Our parts cover such applications as commercial,industrial, and automotives areas.

We are looking forward to setting up business relationship with you and hope to provide you with the best service and solution. Let us make a better world for our industry!



## Contact us

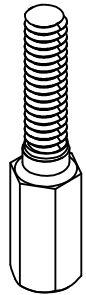
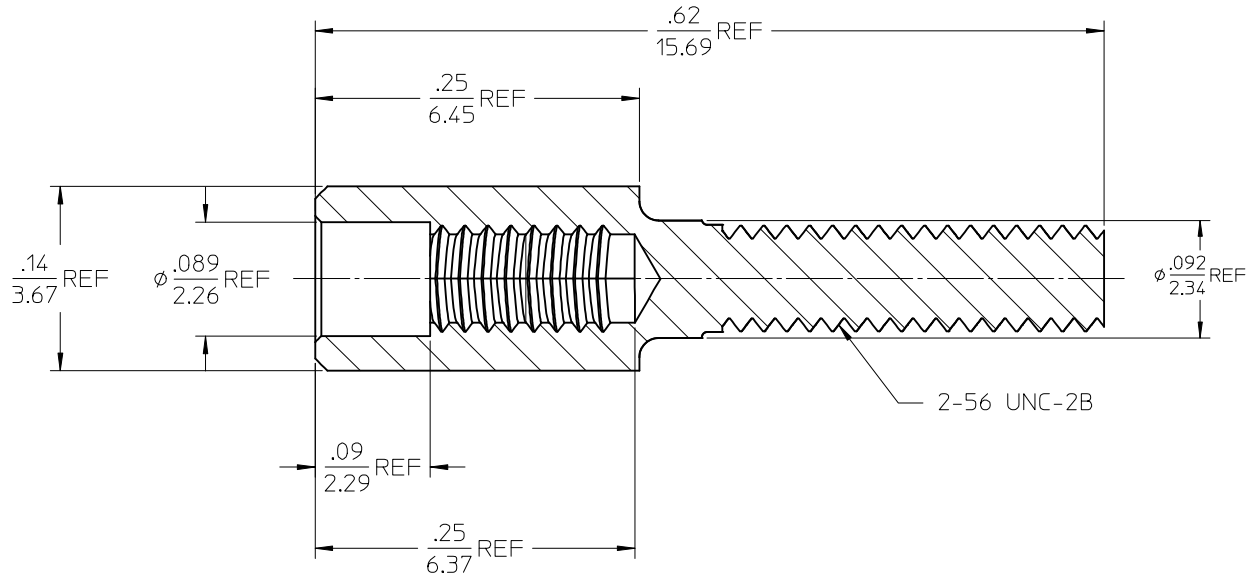
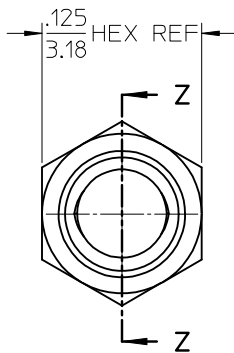
Tel: +86-755-8981 8866 Fax: +86-755-8427 6832

Email & Skype: info@chipsmall.com Web: www.chipsmall.com

Address: A1208, Overseas Decoration Building, #122 Zhenhua RD., Futian, Shenzhen, China



10 9 8 7 6 5 4 3 2 1



SECTION Z-Z

- NOTES:
- 1) MATERIAL: STAINLESS STEEL 303, PASSIVATE PER QQ-P-35
  - 2) 2.5 IN/LB TORQUE MAX, WHEN ATTACHING TO MOLEX HEADERS SERIES 83611, 83612, 83614, 83619.
  - 3) RoHS COMPLIANT

ⓐ

ADD TORQUE NOTE. EC NO: IPGZ013-0078 DRWN: RUPERT CHKD: APPR: JFMURPHY 2012/10/15 2013/03/04	QUALITY SYMBOLS	GENERAL TOLERANCES (UNLESS SPECIFIED)		DIMENSION STYLE		SCALE	DESIGN UNITS	THIRD ANGLE PROJECTION
	▽=0 ⓐ=0	mm	INCH	IN/MM		10:1	INCH	
		4 PLACES ± --- ± ---	DRAWN BY	DATE	TITLE			
		3 PLACES ± --- ± .005	JLOMASTR	05/02/18	JACKPOST 2-56 THREAD			
	2 PLACES ± 0.13 ± .010	CHECKED BY	DATE					
	1 PLACE ± 0.25 ± ---	RDEROSS	05/02/18	MOLEX INCORPORATED				
	ANGULAR ± 1/2°	APPROVED BY	DATE					
	DRAFT WHERE APPLICABLE MUST REMAIN WITHIN DIMENSIONS	RDEROSS	05/02/18	MATERIAL NO.		DOCUMENT NO.		SHEET NO.
		830410005		SD-83041-005		1 OF 1		
		THIS DRAWING CONTAINS INFORMATION THAT IS PROPRIETARY TO MOLEX INCORPORATED AND SHOULD NOT BE USED WITHOUT WRITTEN PERMISSION						

9 8 7 6 5 4 3 2 1