



Chipsmall Limited consists of a professional team with an average of over 10 year of expertise in the distribution of electronic components. Based in Hongkong, we have already established firm and mutual-benefit business relationships with customers from,Europe,America and south Asia,supplying obsolete and hard-to-find components to meet their specific needs.

With the principle of “Quality Parts,Customers Priority,Honest Operation,and Considerate Service”,our business mainly focus on the distribution of electronic components. Line cards we deal with include Microchip,ALPS,ROHM,Xilinx,Pulse,ON,Everlight and Freescale. Main products comprise IC,Modules,Potentiometer,IC Socket,Relay,Connector.Our parts cover such applications as commercial,industrial, and automotives areas.

We are looking forward to setting up business relationship with you and hope to provide you with the best service and solution. Let us make a better world for our industry!



Contact us

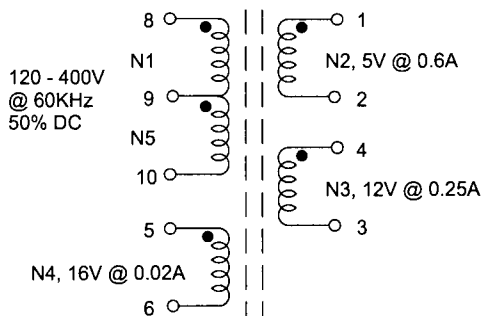
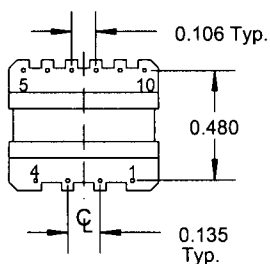
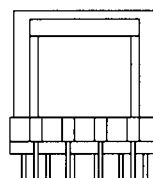
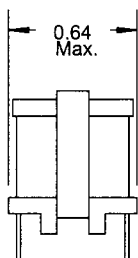
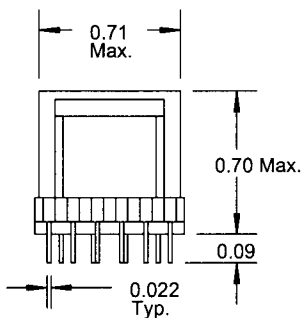
Tel: +86-755-8981 8866 Fax: +86-755-8427 6832

Email & Skype: info@chipsmall.com Web: www.chipsmall.com

Address: A1208, Overseas Decoration Building, #122 Zhenhua RD., Futian, Shenzhen, China



REVISIONS				
ZONE	REV	DESCRIPTION	DATE	APPROVED



L 8-10: 3.25mH +/-10% @ 1KHz 10mA

L leakage 8-10: 60uH max. @ 100KHz 10mA with 1-6 shorted

Turns Ratio: (-/+3%)
 N1/N5 : N2 = 1 : 0.044
 N1/N5 : N3 = 1 : 0.106
 N1/N5 : N4 = 1 : 0.139

DCR
 N1/N5: 5.9 Ohms Typ.
 N2: 0.037 Ohms Typ.
 N3: 0.206 Ohms Typ.
 N4: 0.92 Ohms Typ

Hipot: 4000VAC, N1, N4 to N2, N3

UNLESS OTHERWISE SPECIFIED DIMENSIONS ARE IN INCH TOLERANCE ON .XX DEC. .XXX DEC. ANGLES + 0.02 + 0.005			J.W.MILLER		306 E. ALONDRA BLVD. P.O. BOX 2859	
			MAGNETICS		GARDENA, CA 90248-1059	
DRAWN			TITLE			
CHECK			Transformer, VIPer12A Dual Output reference Borad			
APPROVED			SIZE	CODE IDENT. NO.	DRAWING NO.	REV.
AC			A	76493	08337	
5/28/2004			SCALE	WEIGHT	SHEET 1 / 1	
FINISH						
RELEASED						