



Chipsmall Limited consists of a professional team with an average of over 10 year of expertise in the distribution of electronic components. Based in Hongkong, we have already established firm and mutual-benefit business relationships with customers from,Europe,America and south Asia,supplying obsolete and hard-to-find components to meet their specific needs.

With the principle of "Quality Parts,Customers Priority,Honest Operation,and Considerate Service",our business mainly focus on the distribution of electronic components. Line cards we deal with include Microchip,ALPS,ROHM,Xilinx,Pulse,ON,Everlight and Freescale. Main products comprise IC,Modules,Potentiometer,IC Socket,Relay,Connector.Our parts cover such applications as commercial,industrial, and automotives areas.

We are looking forward to setting up business relationship with you and hope to provide you with the best service and solution. Let us make a better world for our industry!



## Contact us

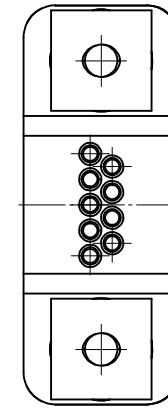
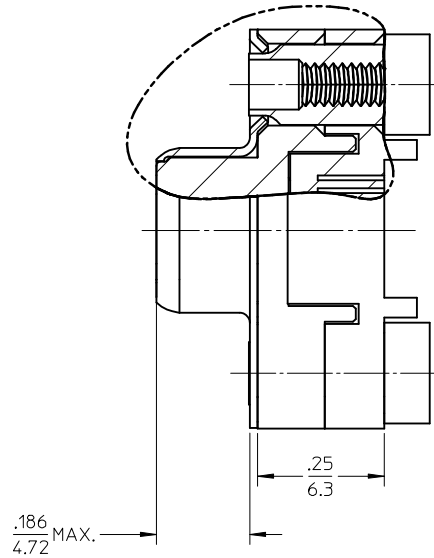
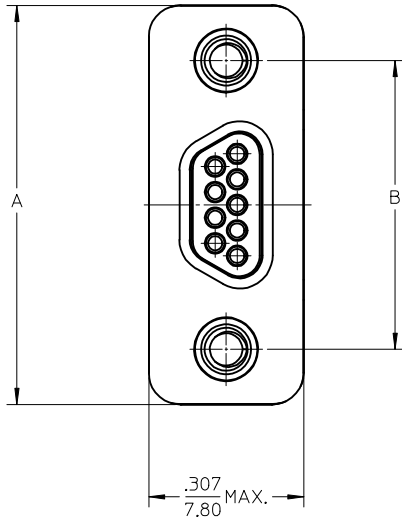
Tel: +86-755-8981 8866 Fax: +86-755-8427 6832

Email & Skype: info@chipsmall.com Web: www.chipsmall.com

Address: A1208, Overseas Decoration Building, #122 Zhenhua RD., Futian, Shenzhen, China



MATERIAL NO.	ENGINEERING NO.	SIZE	A	B
834119110	83411-9110	9	.783	.565
834129019	83412-9019	15	.933	.715
834149021	83414-9021	25	1.183	.965



SIZE 9 SHOWN

SALES DRAWING

- MARKING: NONE
- TO BE USED WITH 830009560 CONTACT (LOOSE PIECE)  
830009561 CONTACT (2.5K REEL)

UPDATED EC NO: IPG2014-2197 DRWNGGUSTAFSON 2014/06/30 CHKD:BRUPERT 2014/07/18 APPR:BMOODMAN 2014/07/28	DESCRIPTION REV	QUALITY SYMBOLS	GENERAL TOLERANCES (UNLESS SPECIFIED) <table border="1"> <thead> <tr> <th></th> <th>mm</th> <th>INCH</th> </tr> </thead> <tbody> <tr> <td>4 PLACES</td> <td>± ---</td> <td>± ---</td> </tr> <tr> <td>3 PLACES</td> <td>± ---</td> <td>± .005</td> </tr> <tr> <td>2 PLACES</td> <td>± 0.13</td> <td>± .01</td> </tr> <tr> <td>1 PLACE</td> <td>± 0.25</td> <td>± ---</td> </tr> <tr> <td colspan="3">ANGULAR ±1/2°</td> </tr> </tbody> </table>		mm	INCH	4 PLACES	± ---	± ---	3 PLACES	± ---	± .005	2 PLACES	± 0.13	± .01	1 PLACE	± 0.25	± ---	ANGULAR ±1/2°			DIMENSION STYLE IN/MM	SCALE 4:1	DESIGN UNITS INCH	THIRD ANGLE PROJECTION
				mm	INCH																				
		4 PLACES		± ---	± ---																				
		3 PLACES		± ---	± .005																				
2 PLACES	± 0.13	± .01																							
1 PLACE	± 0.25	± ---																							
ANGULAR ±1/2°																									
DRAWN BY JLOMASTR CHECKED BY RDEROSS APPROVED BY RDEROSS	DATE 04/10/13 DATE 04/10/14 DATE 04/10/15	TITLE COMMERCIAL MICRO D PIN ASS'Y CRIMP AND POKE SIZE 9, 15, 25																							
MATERIAL NO.		DOCUMENT NO.																							
SEE CHART		SD-83411-006																							
DRAFT WHERE APPLICABLE MUST REMAIN WITHIN DIMENSIONS		SHEET NO. 1 OF 1																							
SIZE A3		THIS DRAWING CONTAINS INFORMATION THAT IS PROPRIETARY TO MOLEX INCORPORATED AND SHOULD NOT BE USED WITHOUT WRITTEN PERMISSION																							