



Chipsmall Limited consists of a professional team with an average of over 10 year of expertise in the distribution of electronic components. Based in Hongkong, we have already established firm and mutual-benefit business relationships with customers from,Europe,America and south Asia,supplying obsolete and hard-to-find components to meet their specific needs.

With the principle of “Quality Parts,Customers Priority,Honest Operation,and Considerate Service”,our business mainly focus on the distribution of electronic components. Line cards we deal with include Microchip,ALPS,ROHM,Xilinx,Pulse,ON,Everlight and Freescale. Main products comprise IC,Modules,Potentiometer,IC Socket,Relay,Connector.Our parts cover such applications as commercial,industrial, and automotives areas.

We are looking forward to setting up business relationship with you and hope to provide you with the best service and solution. Let us make a better world for our industry!



## Contact us

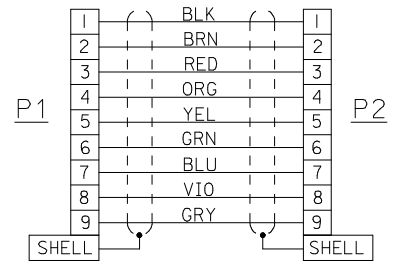
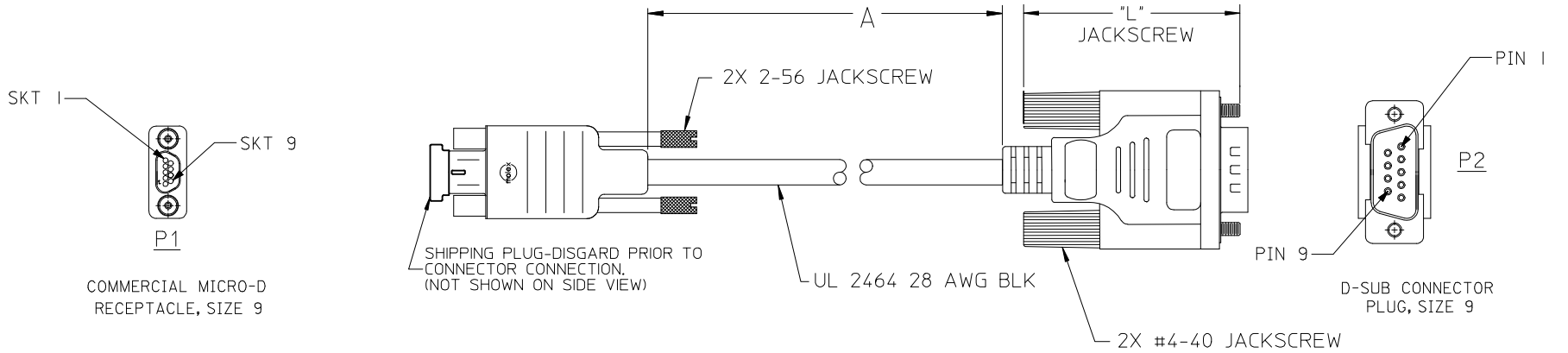
Tel: +86-755-8981 8866 Fax: +86-755-8427 6832

Email & Skype: info@chipsmall.com Web: www.chipsmall.com

Address: A1208, Overseas Decoration Building, #122 Zhenhua RD., Futian, Shenzhen, China



10	9	8	7	6
MATERIAL NO.	ENGINEERING NO.	CUT LENGTH "A"	TOLERANCES	DIM "L"
834219036	83421-9036	18.5 / 470.0	± .5 / 13.00	1.83 / 46.5
834219037	93421-9037	36.5 / 927.1	± .5 / 13.00	1.83 / 46.5
834219038	93421-9038	72.5 / 1841.5	± .5 / 13.00	1.83 / 46.5
834219286	83421-9286	196.8 / 5000.0	±3.94 / 100.0	1.73 / 44.0



- NOTE: UNLESS OTHERWISE SPECIFIED.
- CABLE: UL 2464, 28 AWG. OR EQUIVALENT  
9 TOTAL CONDUCTORS, TINNED COPPER, 7 STRANDS,  
WIRE INSULATION: PVC.  
SHIELD: AL-FOIL / MYLAR, INCLUDING DRAIN WIRE & BRAID  
OUTER CABLE JACKET: PVC, COLOR BLACK.
  - REFER TO PS-83421-9000 FOR PRODUCT SPECIFICATION.  
REFER TO DWG, E-83421-001 FOR ASSEMBLY INSTRUCTION.
  - MICRO D 9 SOCKET CONNECTOR:  
INTERNAL INSULATOR: THERMOPLASTIC, UL 94V-0  
CONTACTS: COPPER ALLOY, GOLD PLATE OVER NICKEL PLATING.  
MOLEX CONTACT # 83000-9503  
INTERNAL BACKSHELL: NICKEL PLATED STEEL,  
EXTERNAL SHROUD; NICKEL PLATED STEEL.  
EXTERNAL INSULATOR: BLACK MOLDED PVC.
  - D-SUB HIGH DENSITY 9 PIN MALE CONNECTOR (SOLDER TYPE)  
WITH OVERMOLDED INSULATOR.
  - MARKING: NONE.
  - ASSEMBLY IS ROHS COMPLIANT.

REV LETTER "I" WAS INTENTIONALLY NOT USED

REMOVE 834219289 EC NO: WNA2010-0093 DRAWN: BRUPERT 2009/08/17 CHKD: BRUPERT APPR: JFURPHY 2009/09/23	QUALITY SYMBOLS	GENERAL TOLERANCES (UNLESS SPECIFIED)	DIMENSION STYLE	SCALE	DESIGN UNITS	THIRD ANGLE PROJECTION															
	$\nabla=0$ $\nabla=0$	<table border="1"> <thead> <tr> <th></th> <th>mm</th> <th>INCH</th> </tr> </thead> <tbody> <tr> <td>4 PLACES</td> <td>± ---</td> <td>± ---</td> </tr> <tr> <td>3 PLACES</td> <td>± ---</td> <td>± .005</td> </tr> <tr> <td>2 PLACES</td> <td>± 0.13</td> <td>± .020</td> </tr> <tr> <td>1 PLACE</td> <td>± 0.51</td> <td>± ---</td> </tr> </tbody> </table>		mm	INCH	4 PLACES	± ---	± ---	3 PLACES	± ---	± .005	2 PLACES	± 0.13	± .020	1 PLACE	± 0.51	± ---	IN/MM		INCH	
		mm	INCH																		
	4 PLACES	± ---	± ---																		
3 PLACES	± ---	± .005																			
2 PLACES	± 0.13	± .020																			
1 PLACE	± 0.51	± ---																			
	ANGULAR ± .5 °	DRAWN BY DATE	TITLE	CABLE ASSEMBLY 9 SKT COMM. MICRO D 9 PIN D-SUB MOLEX INCORPORATED																	
		J. LOMASTRO 02-17-06																			
		DRAFT WHERE APPLICABLE MUST REMAIN WITHIN DIMENSIONS	APPROVED BY DATE	DOCUMENT NO.	SD-83421-021 SHEET NO. 1 OF 1																
			R. DEROSS 02-21-06																		
			MATERIAL NO.	THIS DRAWING CONTAINS INFORMATION THAT IS PROPRIETARY TO MOLEX INCORPORATED AND SHOULD NOT BE USED WITHOUT WRITTEN PERMISSION																	
			SIZE B																		