



Chipsmall Limited consists of a professional team with an average of over 10 year of expertise in the distribution of electronic components. Based in Hongkong, we have already established firm and mutual-benefit business relationships with customers from,Europe,America and south Asia,supplying obsolete and hard-to-find components to meet their specific needs.

With the principle of “Quality Parts,Customers Priority,Honest Operation,and Considerate Service”,our business mainly focus on the distribution of electronic components. Line cards we deal with include Microchip,ALPS,ROHM,Xilinx,Pulse,ON,Everlight and Freescale. Main products comprise IC,Modules,Potentiometer,IC Socket,Relay,Connector.Our parts cover such applications as commercial,industrial, and automotives areas.

We are looking forward to setting up business relationship with you and hope to provide you with the best service and solution. Let us make a better world for our industry!



Contact us

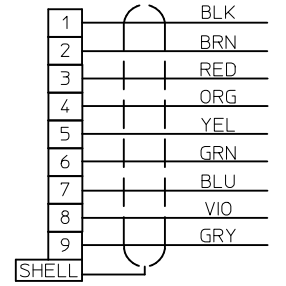
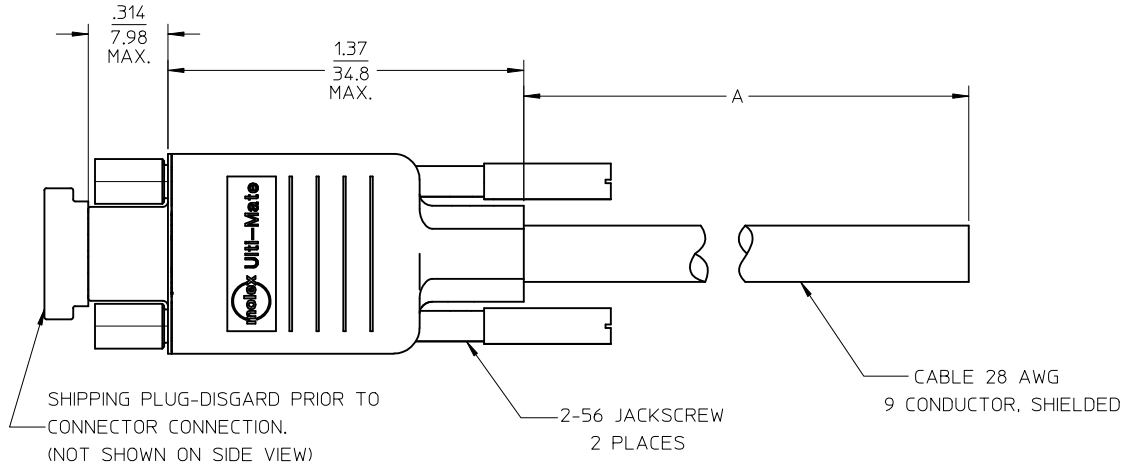
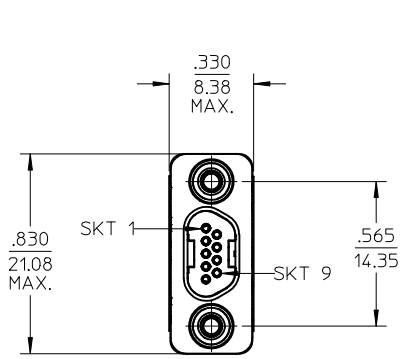
Tel: +86-755-8981 8866 Fax: +86-755-8427 6832

Email & Skype: info@chipsmall.com Web: www.chipsmall.com

Address: A1208, Overseas Decoration Building, #122 Zhenhua RD., Futian, Shenzhen, China



PART NUMBER	A (inch)	LENGTH TOL.
834219023	4.5"	+5 -0
834219042	18.5"	+5 -0
834219043	36.5"	+75 -0
834219044	72.5"	+150 -0
834219060	300.0"	+6.25 -0



NOTES:
 1) OVERMOLD ASSEMBLY
 2) RoHS COMPLIANT

ADD PART NUM. EC NO: WNA2010-0391 DRWN:BRUPERT 2010/01/29 CHKD:BRUPERT 2010/03/29 APPR: JFMURPHY 2010/03/29	QUALITY SYMBOLS ▽=0 ◻=0	GENERAL TOLERANCES (UNLESS SPECIFIED)		DIMENSION STYLE IN/MM		SCALE 2:1	DESIGN UNITS INCH	THIRD ANGLE PROJECTION		
			mm	INCH	DRAWN BY D. URBACH	DATE 2AUG99	TITLE CMD CONNECTOR ASSEMBLY 9 CIRCUIT			
		4 PLACES	± ---	± ---	CHECKED BY F. VAN WYK	DATE				
		3 PLACES	± ---	± .005	APPROVED BY JFMURPHY		DATE 2010/03/29	MOLEX INCORPORATED		
2 PLACES	± ---	± .01	MATERIAL NO.		DOCUMENT NO.	SHEET NO.				
1 PLACE	± ---	± ---	DRAFT WHERE APPLICABLE MUST REMAIN WITHIN DIMENSIONS		SIZE A3	THIS DRAWING CONTAINS INFORMATION THAT IS PROPRIETARY TO MOLEX INCORPORATED AND SHOULD NOT BE USED WITHOUT WRITTEN PERMISSION				