



Chipsmall Limited consists of a professional team with an average of over 10 year of expertise in the distribution of electronic components. Based in Hongkong, we have already established firm and mutual-benefit business relationships with customers from,Europe,America and south Asia,supplying obsolete and hard-to-find components to meet their specific needs.

With the principle of “Quality Parts,Customers Priority,Honest Operation,and Considerate Service”,our business mainly focus on the distribution of electronic components. Line cards we deal with include Microchip,ALPS,ROHM,Xilinx,Pulse,ON,Everlight and Freescale. Main products comprise IC,Modules,Potentiometer,IC Socket,Relay,Connector.Our parts cover such applications as commercial,industrial, and automotives areas.

We are looking forward to setting up business relationship with you and hope to provide you with the best service and solution. Let us make a better world for our industry!



## Contact us

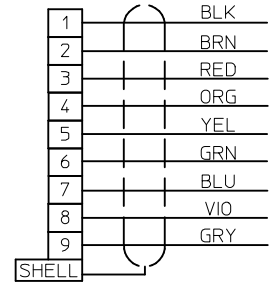
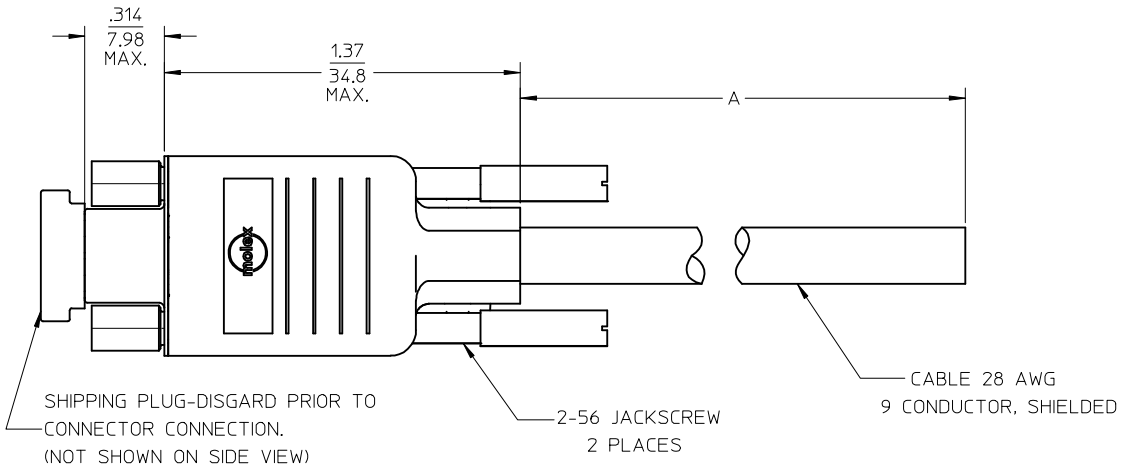
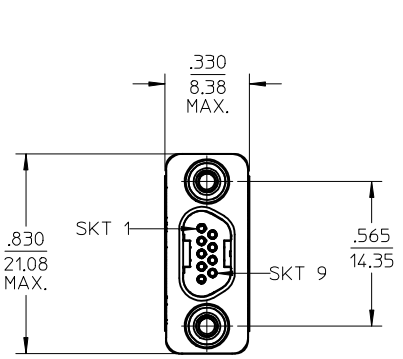
Tel: +86-755-8981 8866 Fax: +86-755-8427 6832

Email & Skype: info@chipsmall.com Web: www.chipsmall.com

Address: A1208, Overseas Decoration Building, #122 Zhenhua RD., Futian, Shenzhen, China



PART NUMBER	A (inch)
834219023	4.5"
834219042	18.5"
834219043	36.5"
834219044	72.5"
834219060	300.0"



NOTES:

- 1) OVERMOLD ASSEMBLY
- 2) CABLE LENGTH TOLERANCE = -0/+ .25" PER FOOT
- 2) RoHS COMPLIANT

UPDATED LOGO EC NO: IFG2015-1021 DRWN:GGUSTAFSON 2014/11/26 CHKD:BRUPERT 2015/01/22 APPR:BMOODMAN 2015/01/07	QUALITY SYMBOLS	GENERAL TOLERANCES (UNLESS SPECIFIED)	DIMENSION STYLE	SCALE	DESIGN UNITS	THIRD ANGLE PROJECTION																																																																							
	$\nabla=0$ $\nabla C=0$	<table border="1"> <thead> <tr> <th></th> <th>mm</th> <th>INCH</th> </tr> </thead> <tbody> <tr> <td>4 PLACES</td> <td>± ---</td> <td>± ---</td> </tr> <tr> <td>3 PLACES</td> <td>± ---</td> <td>± .005</td> </tr> <tr> <td>2 PLACES</td> <td>± ---</td> <td>± .01</td> </tr> <tr> <td>1 PLACE</td> <td>± ---</td> <td>± ---</td> </tr> </tbody> </table>		mm	INCH	4 PLACES	± ---	± ---	3 PLACES	± ---	± .005	2 PLACES	± ---	± .01	1 PLACE	± ---	± ---	<table border="1"> <thead> <tr> <th>mm</th> <th>IN/MM</th> </tr> </thead> <tbody> <tr> <td>± .01</td> <td>± .0005</td> </tr> <tr> <td>± .02</td> <td>± .001</td> </tr> <tr> <td>± .05</td> <td>± .002</td> </tr> <tr> <td>± .10</td> <td>± .004</td> </tr> <tr> <td>± .15</td> <td>± .006</td> </tr> <tr> <td>± .20</td> <td>± .008</td> </tr> <tr> <td>± .30</td> <td>± .012</td> </tr> <tr> <td>± .50</td> <td>± .020</td> </tr> <tr> <td>± 1.00</td> <td>± .040</td> </tr> <tr> <td>± 1.50</td> <td>± .060</td> </tr> <tr> <td>± 2.00</td> <td>± .080</td> </tr> <tr> <td>± 3.00</td> <td>± .120</td> </tr> <tr> <td>± 4.00</td> <td>± .160</td> </tr> <tr> <td>± 6.00</td> <td>± .240</td> </tr> <tr> <td>± 10.00</td> <td>± .400</td> </tr> <tr> <td>± 15.00</td> <td>± .600</td> </tr> <tr> <td>± 25.00</td> <td>± .001</td> </tr> <tr> <td>± 50.00</td> <td>± .002</td> </tr> <tr> <td>± 100.00</td> <td>± .005</td> </tr> <tr> <td>± 150.00</td> <td>± .008</td> </tr> <tr> <td>± 200.00</td> <td>± .010</td> </tr> <tr> <td>± 300.00</td> <td>± .015</td> </tr> <tr> <td>± 400.00</td> <td>± .020</td> </tr> <tr> <td>± 500.00</td> <td>± .030</td> </tr> <tr> <td>± 600.00</td> <td>± .040</td> </tr> <tr> <td>± 800.00</td> <td>± .060</td> </tr> <tr> <td>± 1000.00</td> <td>± .080</td> </tr> </tbody> </table>	mm	IN/MM	± .01	± .0005	± .02	± .001	± .05	± .002	± .10	± .004	± .15	± .006	± .20	± .008	± .30	± .012	± .50	± .020	± 1.00	± .040	± 1.50	± .060	± 2.00	± .080	± 3.00	± .120	± 4.00	± .160	± 6.00	± .240	± 10.00	± .400	± 15.00	± .600	± 25.00	± .001	± 50.00	± .002	± 100.00	± .005	± 150.00	± .008	± 200.00	± .010	± 300.00	± .015	± 400.00	± .020	± 500.00	± .030	± 600.00	± .040	± 800.00	± .060	± 1000.00	± .080	DRAWN BY: D.URBACH DATE: 2AUG99 CHECKED BY: F.VAN WYK DATE: APPROVED BY: JFMURPHY DATE: 2010/02/24 MATERIAL NO.: SEE CHART	TITLE: CMD CONNECTOR ASSEMBLY 9 CIRCUIT MOLEX INCORPORATED DOCUMENT NO.: SD-83421-9023 SHEET NO.: 1 OF 1	THIS DRAWING CONTAINS INFORMATION THAT IS PROPRIETARY TO MOLEX INCORPORATED AND SHOULD NOT BE USED WITHOUT WRITTEN PERMISSION
		mm	INCH																																																																										
	4 PLACES	± ---	± ---																																																																										
3 PLACES	± ---	± .005																																																																											
2 PLACES	± ---	± .01																																																																											
1 PLACE	± ---	± ---																																																																											
mm	IN/MM																																																																												
± .01	± .0005																																																																												
± .02	± .001																																																																												
± .05	± .002																																																																												
± .10	± .004																																																																												
± .15	± .006																																																																												
± .20	± .008																																																																												
± .30	± .012																																																																												
± .50	± .020																																																																												
± 1.00	± .040																																																																												
± 1.50	± .060																																																																												
± 2.00	± .080																																																																												
± 3.00	± .120																																																																												
± 4.00	± .160																																																																												
± 6.00	± .240																																																																												
± 10.00	± .400																																																																												
± 15.00	± .600																																																																												
± 25.00	± .001																																																																												
± 50.00	± .002																																																																												
± 100.00	± .005																																																																												
± 150.00	± .008																																																																												
± 200.00	± .010																																																																												
± 300.00	± .015																																																																												
± 400.00	± .020																																																																												
± 500.00	± .030																																																																												
± 600.00	± .040																																																																												
± 800.00	± .060																																																																												
± 1000.00	± .080																																																																												
DESCRIPTION	ANGULAR ± 2 °	DRAFT WHERE APPLICABLE MUST REMAIN WITHIN DIMENSIONS	SIZE A3																																																																										
REV																																																																													