



Chipsmall Limited consists of a professional team with an average of over 10 year of expertise in the distribution of electronic components. Based in Hongkong, we have already established firm and mutual-benefit business relationships with customers from,Europe,America and south Asia,supplying obsolete and hard-to-find components to meet their specific needs.

With the principle of “Quality Parts,Customers Priority,Honest Operation,and Considerate Service”,our business mainly focus on the distribution of electronic components. Line cards we deal with include Microchip,ALPS,ROHM,Xilinx,Pulse,ON,Everlight and Freescale. Main products comprise IC,Modules,Potentiometer,IC Socket,Relay,Connector.Our parts cover such applications as commercial,industrial, and automotives areas.

We are looking forward to setting up business relationship with you and hope to provide you with the best service and solution. Let us make a better world for our industry!



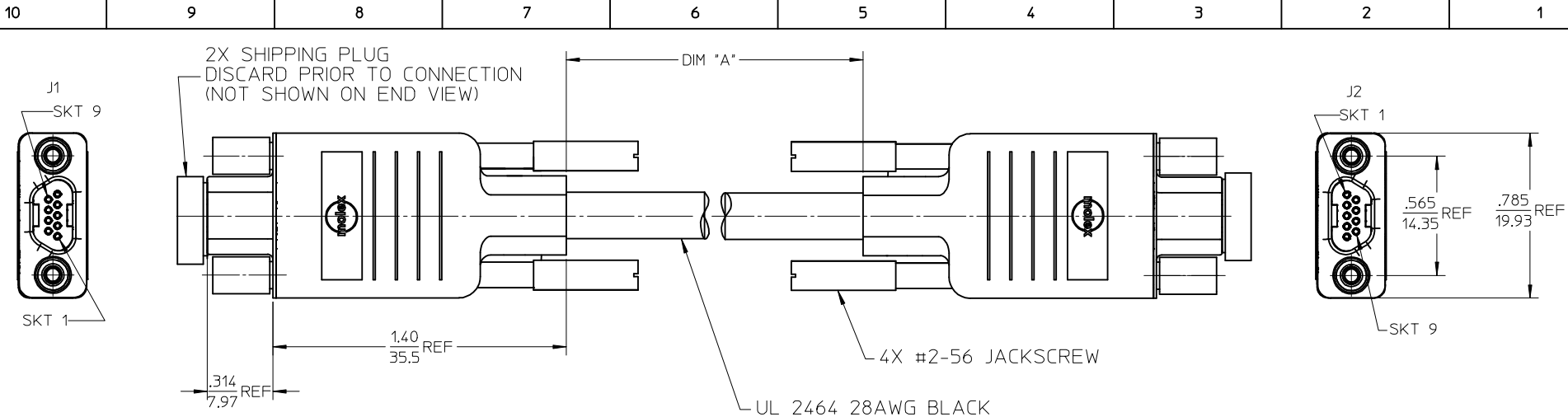
Contact us

Tel: +86-755-8981 8866 Fax: +86-755-8427 6832

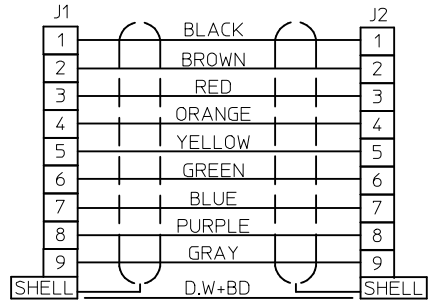
Email & Skype: info@chipsmall.com Web: www.chipsmall.com

Address: A1208, Overseas Decoration Building, #122 Zhenhua RD., Futian, Shenzhen, China





MATERIAL NO.	ENGINEERING NO.	DIM "A" INCH	DIM "A" (MM)
834219050	83421-9050	36.00 +.75/-.59	914 +20/-15
834219051	83421-9051	72.00 +1.50/-.00	1829 +40/-00
834219058	83421-9058	78.74 +1.50/-.00	2000 +40/-00
834219063	83421-9063	196.85 +6.5/-.00	5000 +165.1/-00
834219064	83421-9064	393.7 +12.5/-.00	10000 +317.5/-00
834219065	83421-9065	787.4 +24.5/-.00	20000 +622.3/-00



SALES DRAWING

NOTES:
 1) REFER TO PS-83421-001 FRO PRODUCT SPEC
 2) RoHS COMPLIANT

ADDED LAST 3 P/N EC NO: IFG2015-1657 2015/03/20 DRWN: BARDEN CHKD: APPR: BWOODMAN 2015/04/24 REV DESCRIPTION	QUALITY SYMBOLS	GENERAL TOLERANCES (UNLESS SPECIFIED)	DIMENSION STYLE	SCALE	DESIGN UNITS	THIRD ANGLE PROJECTION															
	$\nabla=0$ $\nabla C=0$	<table border="1"> <tr> <th></th> <th>mm</th> <th>INCH</th> </tr> <tr> <td>4 PLACES</td> <td>± ---</td> <td>± ---</td> </tr> <tr> <td>3 PLACES</td> <td>± ---</td> <td>± ---</td> </tr> <tr> <td>2 PLACES</td> <td>± ---</td> <td>± ---</td> </tr> <tr> <td>1 PLACE</td> <td>± ---</td> <td>± ---</td> </tr> </table>		mm	INCH	4 PLACES	± ---	± ---	3 PLACES	± ---	± ---	2 PLACES	± ---	± ---	1 PLACE	± ---	± ---	IN/MM	2:1	INCH	
		mm	INCH																		
	4 PLACES	± ---	± ---																		
3 PLACES	± ---	± ---																			
2 PLACES	± ---	± ---																			
1 PLACE	± ---	± ---																			
	ANGULAR ±1/2°																				
	DRAFT WHERE APPLICABLE MUST REMAIN WITHIN DIMENSIONS		DRAWN BY: JAL DATE: 02/03/26 CHECKED BY: HEB DATE: 02/03/27 APPROVED BY: RWD DATE: 02/03/28	TITLE: COMMERCIAL MICRO-D 9 SOCKET CABLE ASS'Y MOLEX INCORPORATED DOCUMENT NO. SD-83421-004 SHEET NO. 1 OF 1																	
			MATERIAL NO. SEE CHART SIZE A3 THIS DRAWING CONTAINS INFORMATION THAT IS PROPRIETARY TO MOLEX INCORPORATED AND SHOULD NOT BE USED WITHOUT WRITTEN PERMISSION																		