



Chipsmall Limited consists of a professional team with an average of over 10 year of expertise in the distribution of electronic components. Based in Hongkong, we have already established firm and mutual-benefit business relationships with customers from,Europe,America and south Asia,supplying obsolete and hard-to-find components to meet their specific needs.

With the principle of “Quality Parts,Customers Priority,Honest Operation,and Considerate Service”,our business mainly focus on the distribution of electronic components. Line cards we deal with include Microchip,ALPS,ROHM,Xilinx,Pulse,ON,Everlight and Freescale. Main products comprise IC,Modules,Potentiometer,IC Socket,Relay,Connector.Our parts cover such applications as commercial,industrial, and automotives areas.

We are looking forward to setting up business relationship with you and hope to provide you with the best service and solution. Let us make a better world for our industry!



Contact us

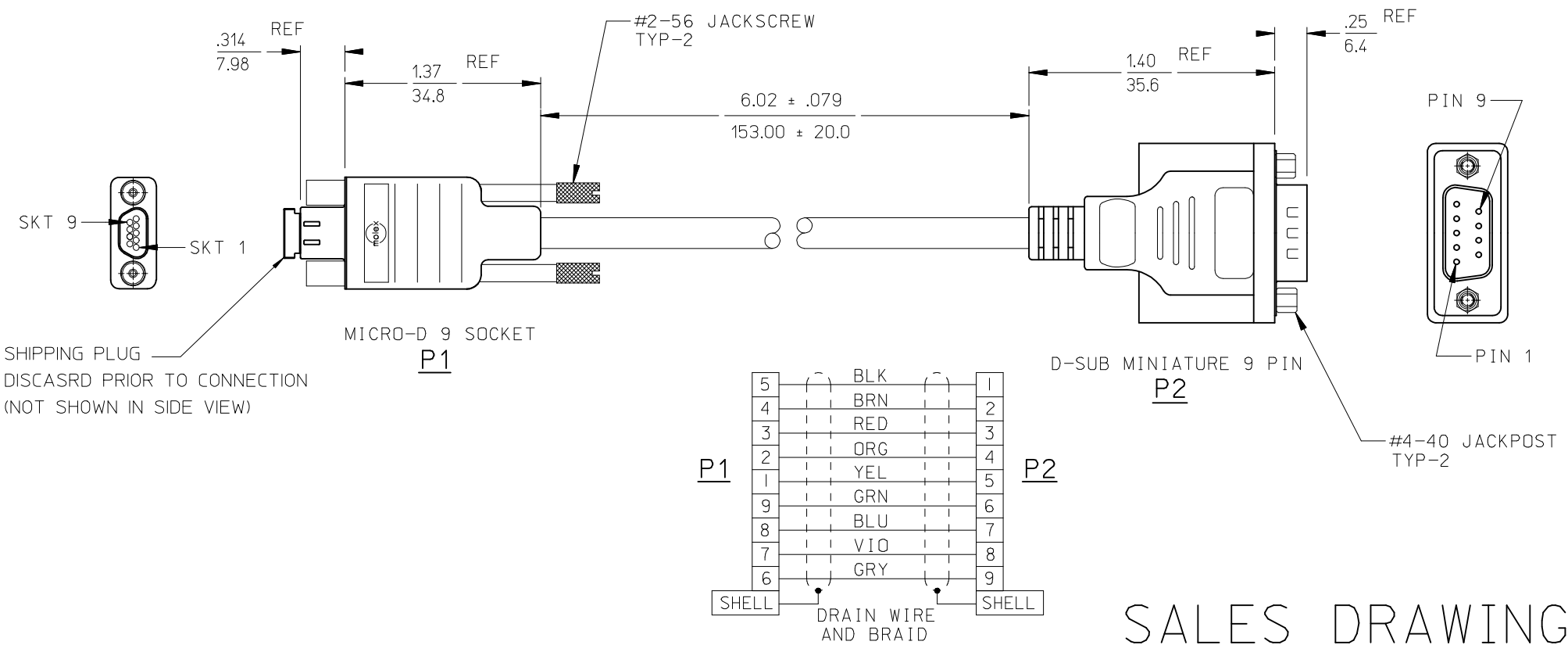
Tel: +86-755-8981 8866 Fax: +86-755-8427 6832

Email & Skype: info@chipsmall.com Web: www.chipsmall.com

Address: A1208, Overseas Decoration Building, #122 Zhenhua RD., Futian, Shenzhen, China



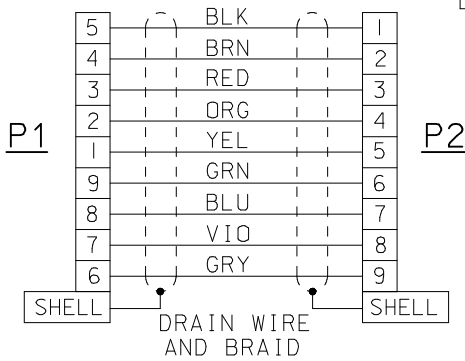
10	9	8	7	6	5	4	3	2	1
MATERIAL NO.		ENGINEERING NO.							
834219052		83421-9052							



SHIPPING PLUG
DISCARD PRIOR TO CONNECTION
(NOT SHOWN IN SIDE VIEW)

MICRO-D 9 SOCKET
P1

D-SUB MINIATURE 9 PIN
P2



SALES DRAWING

NOTES:

- 1) REFER TO PS-83421-001 FOR PRODUCT SPEC.
- 2) RoHS COMPLIANT

UPDATED LOGO EC NO: IFC2015-1021 DRAWING: GUSTAFSON 2014/12/01 CHKD: BRUPERT 2015/01/22 APPR: BWOODMAN 2015/01/07	QUALITY SYMBOLS	GENERAL TOLERANCES (UNLESS SPECIFIED)	DIMENSION STYLE	SCALE	DESIGN UNITS	THIRD ANGLE PROJECTION
	▼=0 ▽=0	mm INCH 4 PLACES ± --- ± --- 3 PLACES ± --- ± .005 2 PLACES ± 0.13 ± .01 1 PLACE ± 0.3 ± --- ANGULAR ± 1/2°	IN/MM		INCH	
	DESCRIPTION	DRAFT WHERE APPLICABLE MUST REMAIN WITHIN DIMENSIONS	DRAWN BY DATE EMF 02/07/23 CHECKED BY DATE HEB 02/07/24 APPROVED BY DATE RWD 02/27/25	TITLE	CABLE ASSY, 9 SKT COMM-D/ 9 PIN D-SUB OVERMOLDED SPECIAL	
	REV		SEE CHART	MATERIAL NO.	DOCUMENT NO.	SHEET NO.

MOLEX INCORPORATED
 SD-83421-010
 1 OF 1